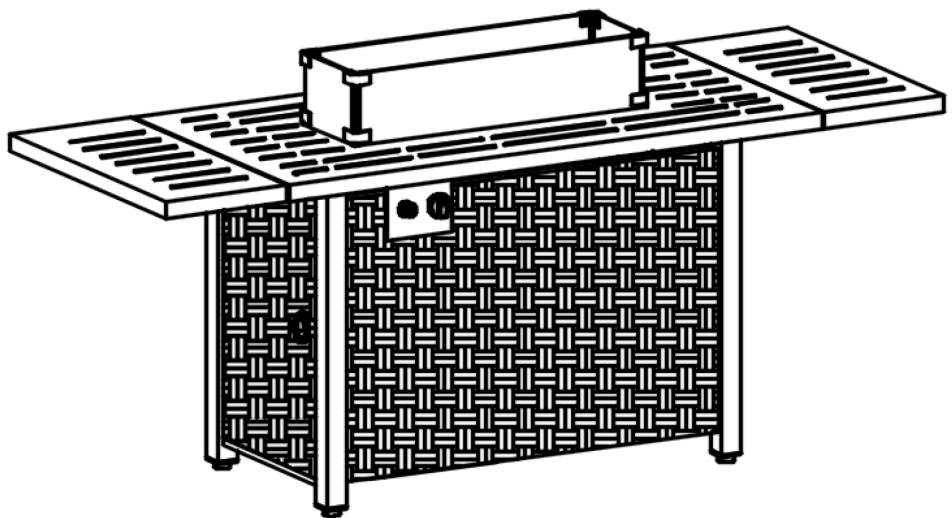


# User Manual

## Outdoor Fireplace



Model No: RS-R43013  
Item No:46R55-BLACK

# TABLE OF CONTENTS

- Table of Contents.....2
- Warning and Cautions.....3-5
- Tools and Parts.....6-9
- Assembly .....10-11
- Lighting Operation. ....12-13
- Maintenance and Storage. ....14-15
- Troubleshooting..... 16

## REMINDER

### BEFORE ASSEMBLY

Verify that all parts are included with your gas fire pit BEFORE you begin assembly by checking the Parts and Hardware List. For your convenience, some parts may be pre-assembled or attached to heater components.  
Leave hardware installed HALF-TIGHTENED on the gas fire pit during assembly until unit is completely assembled, then finish tightening all hardware installed.

### YOUR OWNER'S MANUAL

Keep and store this Owner's Manual for future reference - It contains important instruction and procedures for safety and maintenance.

# WARNINGS AND CAUTIONS

Read the instructions before use. This appliance must be installed in accordance with enforced regulations and the following instructions.

## CAUTION

**Installer:** Leave the manual with the user for future use.  
**Consumer:** Please keep this manual for future reference.

## DANGER

### IF YOU SMELL GAS:

- Shut off gas to the appliance.
- Extinguish any open flame.
- If odor continues, keep away from the appliance and immediately call your gas supplier or fire department.

## DANGER

### CARBON MONOXIDE HAZARD

This appliance can produce carbon monoxide, which has no odor. Using it in an enclosed space can cause injury or death. Never use this appliance in an enclosed space such as a camper, tent or building.



## WARNING

Never leave fire pit unattended when hot or in use.  
Keep out of reach of children.

## WARNING

Do not try to light this appliance without reading the “LIGHTING” instructions section of this manual.

Do not store or use gasoline or other flammable liquids or vapors in the vicinity of this or any other appliance. An LP cylinder not connected for use must not be stored in the vicinity of this or any other appliance. If the information in this manual is not followed exactly, a fire or explosion may result, causing property damage, personal injury or death.

## WARNING

Improper installation, adjustment, alteration, service or maintenance can cause property damage, injury or death. Read the installation, operation and maintenance instructions thoroughly before installing or servicing this gas appliance.

## WARNING

**FOR OUTDOOR USE ONLY!**



**WARNING: FUELS USED IN LIQUEFIED PROPANE GAS APPLIANCES, AND THE PRODUCTS OF COMBUSTION OF SUCH FUELS, CAN EXPOSE YOU TO CHEMICALS INCLUDING BENZENE, WHICH IS KNOWN TO THE STATE OF CALIFORNIA TO CAUSE CANCER AND CAUSE BIRTH DEFECTS OR OTHER REPRODUCTIVE HARM. For more information go to: [www.P65Warnings.ca.gov](http://www.P65Warnings.ca.gov).**

You must provide propane gas and a propane cylinder. Use a standard 20 lb. propane cylinder only.

Use this appliance only with a propane vapor withdrawal supply system. See Chapter 5 of the Standard for Storage and Handling of Liquefied Petroleum Gas , ANSI/NFPA 58. Your local library or fire department should have this book.

The pressure regulator and hose assembly supplied with the appliance must be used.

The installation must conform with local codes , or in absence of local codes , with National Fuel Gas Code , ANSI Z223.1.

A dented, rusted, or damaged propane cylinder may be hazardous and should be checked by your cylinder supplier. Never use a propane cylinder with a damaged valve connection.

The LP-gas supply cylinder must be constructed and marked in accordance with the U.S. Department of Transportation (D.O.T) Specifications for LP-Gas Cylinders, or the standard for Cylinders, Spheres and Tubes for Transportation of Dangerous Good and Commission, CAN/CSA -8339, as applicable.

The LP-gas supply cylinder must be provided with a cylinder connection device compatible with the connection for the appliance.

The cylinder used must include a collar to protect the cylinder valve.

The LP-gas supply cylinder must be provided with a listed overfill protection device (OPD).

Do not store a spare LP Gas cylinder under or near this appliance.

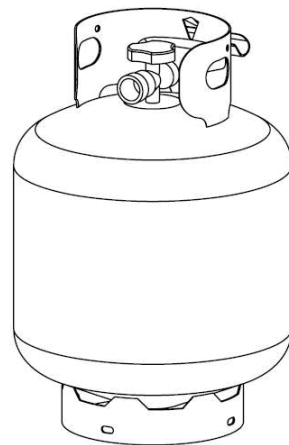
Never fill the cylinder beyond 80 percent full.

For appliances designed to use a CGA No. 791 QCC connection.

Place the dust cap on the cylinder valve outlet whenever the cylinder is not in use.

Other types of caps or plugs may result in leakage of propane.

Note: Gas supply pressure: 25 to 250 PSI.



Standard 20 lb. tank

## PLEASE READ THE FOLLOWING SAFETY RULES

### WARNING:

The appliance is not for use with solid fuels.

The installation must conform with local codes or, in the absence of local codes, with the National Fuel Gas Code, ANSI Z223.1/NFPA 54, NFPA58 Natural Gas and Propane Installation Code, CSA B149.1, or Propane Storage and Handling CODE, B149.2.

The appliance, when installed, must be electrically grounded in accordance with local codes or, in the absence of local codes, with the National Electrical Code, ANSI/NFPA 70, or the Canadian Electrical Code, CSA C22.1.

Before use, check for damaged parts such as hoses, regulators, pilot, or burner.

Inspect the fuel supply connection for signs of leakage (including the hose for LP models) before each use of the appliance.

All leak tests should be done with a soapy solution. NEVER USE AN OPEN FLAME TO CHECK FOR LEAKAGE.

Children and adults should be alerted to the hazards of high surface temperatures and should stay away to avoid burns or clothing ignition.

Young children should be carefully supervised when they are in the area of the appliance.

Clothing or other flammable materials should not be hung from the appliance, or placed on or near the appliance.

Any guard or other protective device removed for servicing the appliance must be replaced prior to operating the appliance.

Installation and repair should be done by a qualified service person. The appliance should be inspected before use and at least annually by a qualified service person.

More frequent cleaning may be required as necessary. It is imperative that control compartment, burners, and circulating air passageways of the appliance be kept clean.

Keep the appliance area clear and free from combustible materials, gasoline and other flammable vapors and liquids.

DO NOT OBSTRUCT the flow of combustion and ventilation air.

Keep the ventilation opening(s) of the cylinder enclosure free and clear from debris.

The appliance shall be used only in a well-ventilated space and shall not be used in a building, garage or any other enclosed area.

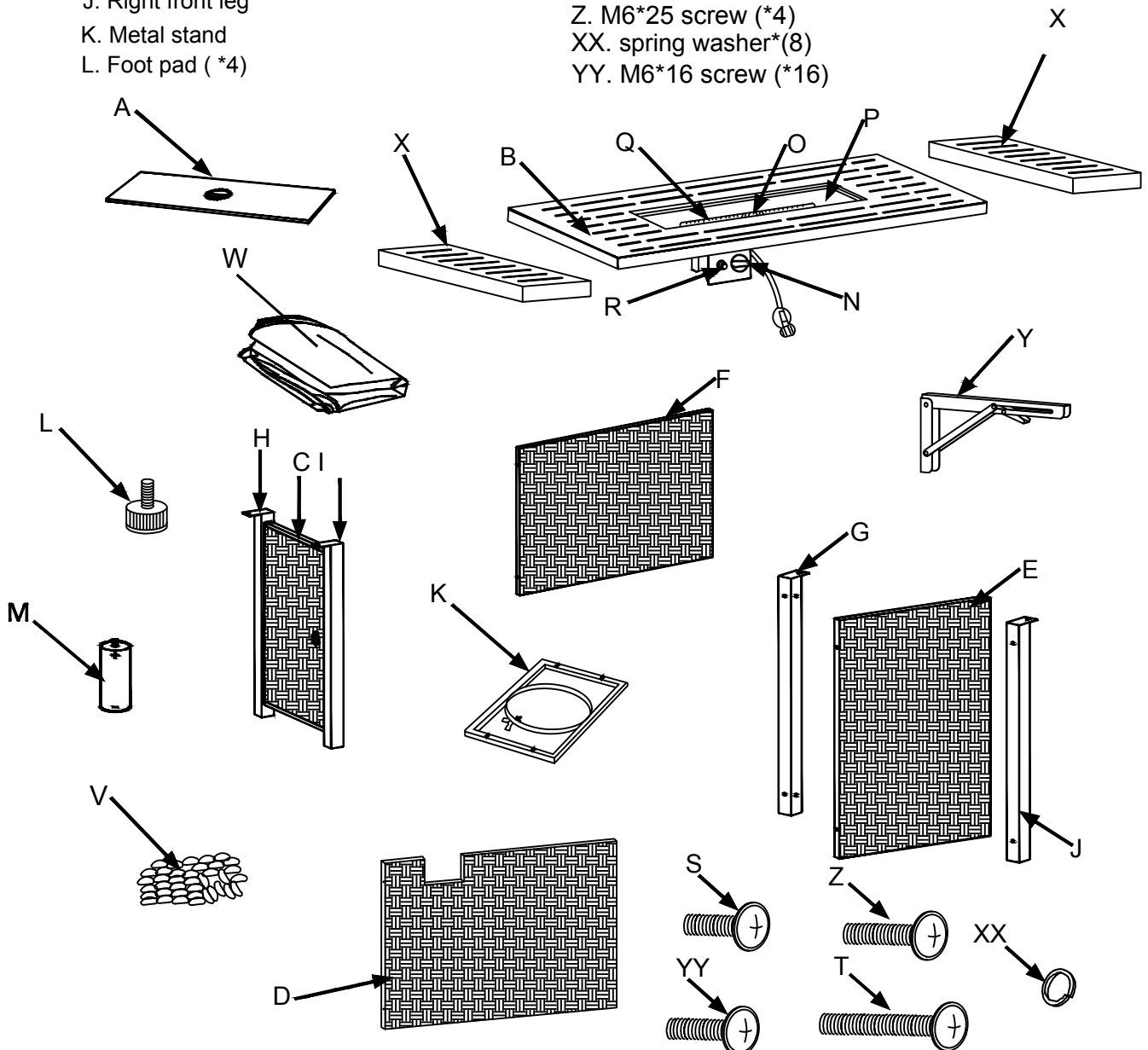
An appliance may be installed with shelter no more inclusive than: With walls on all sides, but with no overhead cover.

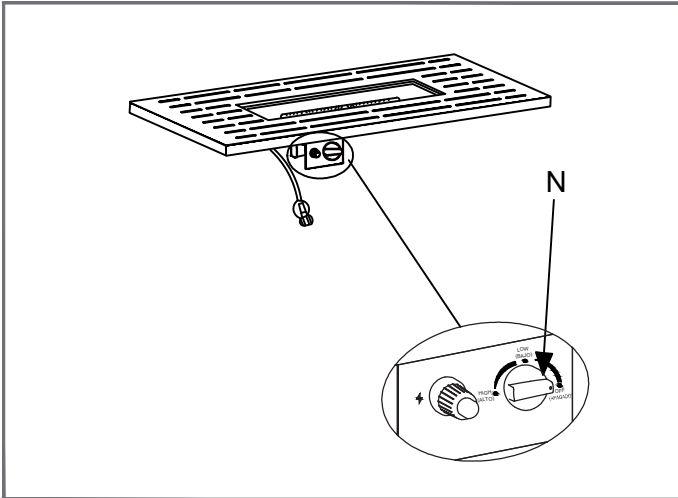
Within a partial enclosure which includes an overhead cover and no more than two side walls, these side walls may be parallel, as in a breezeway, or at right angles to each other.

### Main parts

- A. Table lid
- B. Table top
- C. Door
- D. Front panel
- E. Side panel
- F. Back panel
- G. Right back leg
- H. Left back leg
- I. Left front leg
- J. Right front leg
- K. Metal stand
- L. Foot pad (\*4)

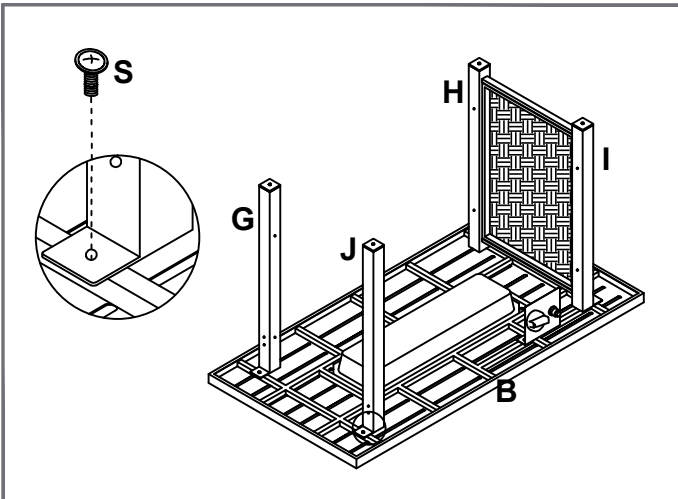
- M. Battery (AAA)
- N. Control knob (preassembled)
- O. Firepit glass wind guard (preassembled)
- P. Fire bowl (preassembled)
- Q. Burner (preassembled)
- R. Electronic igniter (preassembled)
- S. M6\*12 screw (\*4)
- T. M6\*35 screw (\*12)
- V. Glass stones
- W. Protective cover
- X. Side table top (\*2)
- Y. Foldable part (\*4)
- Z. M6\*25 screw (\*4)
- XX. spring washer\*(8)
- YY. M6\*16 screw (\*16)





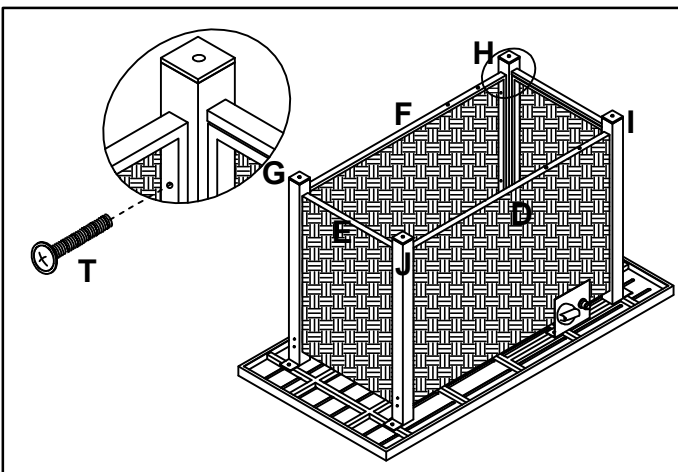
### Checking the gas control

1. Check that the control knob(N) for the gas supply system is turned to the "OFF" position before starting any assembly.



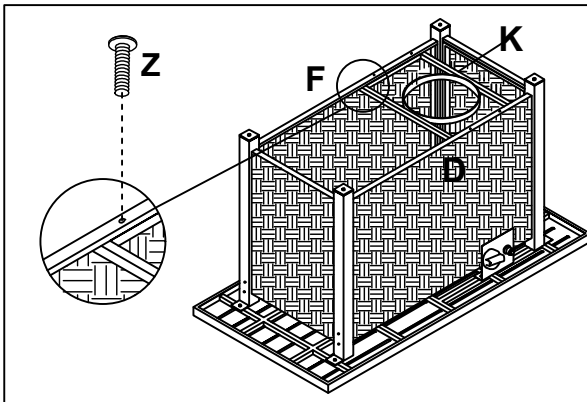
### Attaching the legs

2. Attach the legs (G)(H)(I)(J) to table top (B) using 4 pcs M6 \* 12 screws (S) .



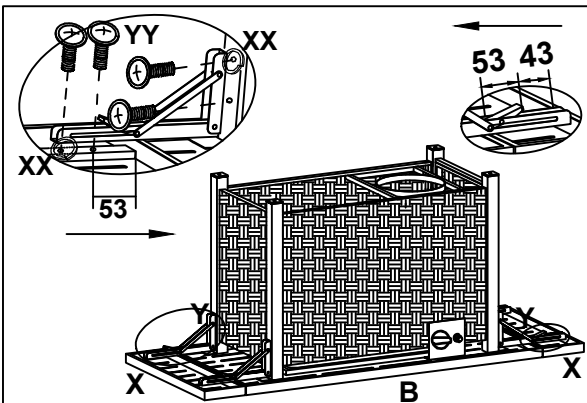
### Attaching the back, front and side panels

3. Attach the back panel(F),side panel(E) and front panel (D) to the parts (C) and legs (G,J) using 12 pcs M6 \* 35 screws(T) .



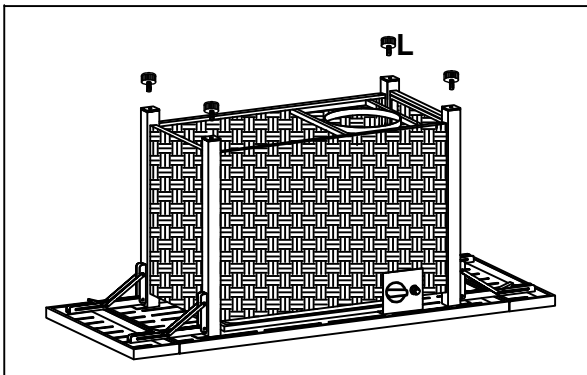
### Attaching the metal stand

4. Attach the metal stand (K) to the back panel (F) and front panel (D) using 4 pcs M6 \* 25 screws (Z) .



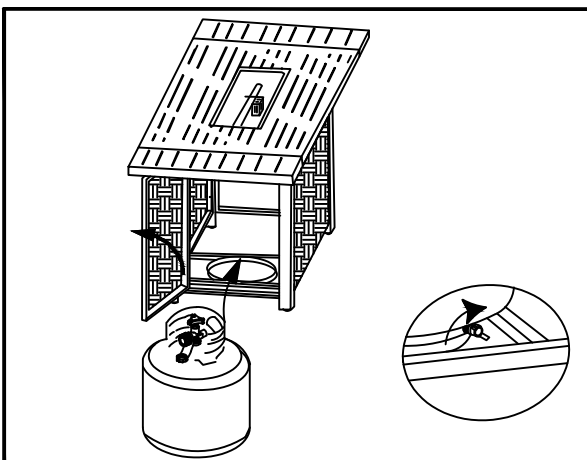
### Attaching side table tops

5. Attach side table top (X) to the table top (B) using 4 pcs foldable part (Y) and 16 pcs M6 \* 16 screws (YY) and 8 pcs spring washer (XX).



### Attaching the foot pads

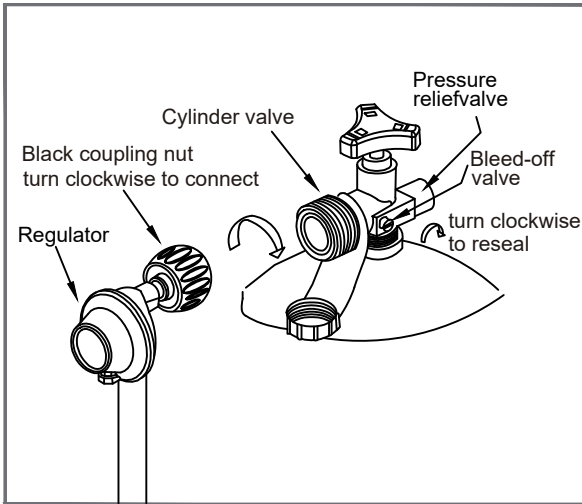
6. Attach the 4 pcs foot pads(L) to the legs (G,H,I,J).



### Securing the propane tank

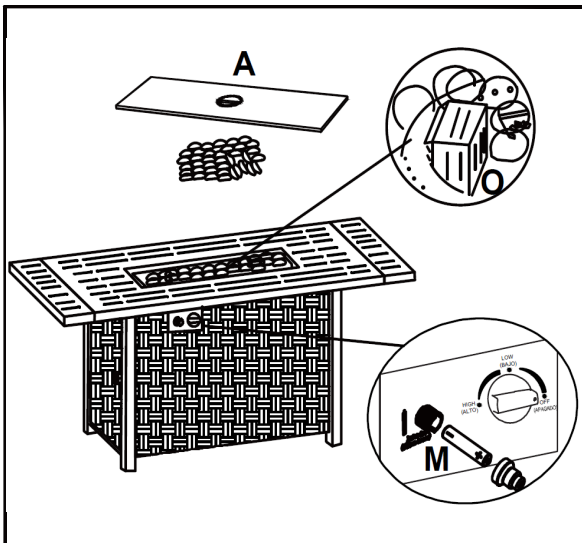
7 . Place propane gas tank (not included) into the metal stand (K) .Make sure the gas tank sits on the metal stand completely. Turn the preassembled wing screw on the outer part of metal stand (K) clockwise to secure the propane gas tank tightly.





### Attaching the regulator

8. Turn the cylinder valve on the tank clockwise to close the propane tank. Attach the preassembled regulator from the table top (B) to the cylinder valve by turning the regulator coupling nut clockwise. Make sure it is fastened securely and tighten connections by hand only.



### Putting the glass stones and AAA battery.

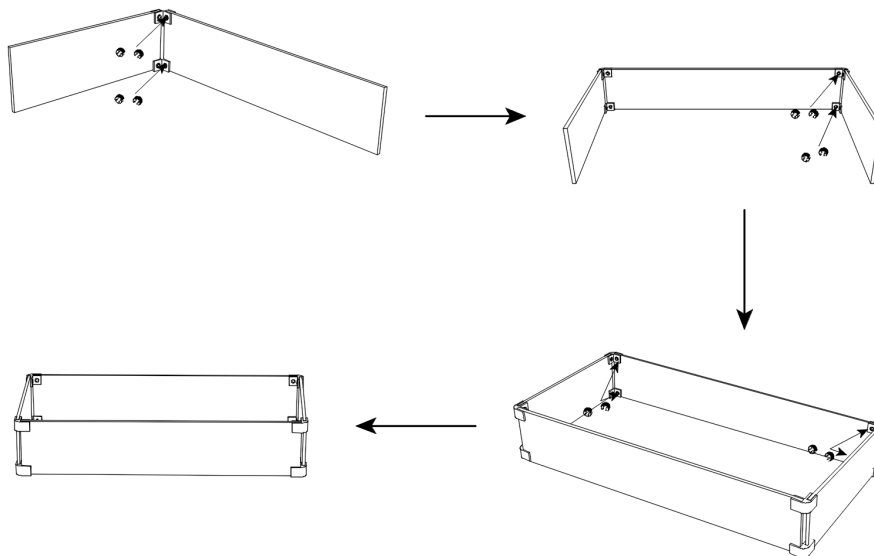
9. Open the igniter cover and put the AAA battery (M) into it, then tighten the igniter cover completely. Pour the glass stones around the burner. Ensure that the glass stones are not placed on the ignition portion of the burner and the guard (O). Place the lid (A) over the fire bowl. The lid must be removed when the burner is in operation. Wait until the unit cools completely before placing the lid.

# Assembly

## 1 Assembling the glass

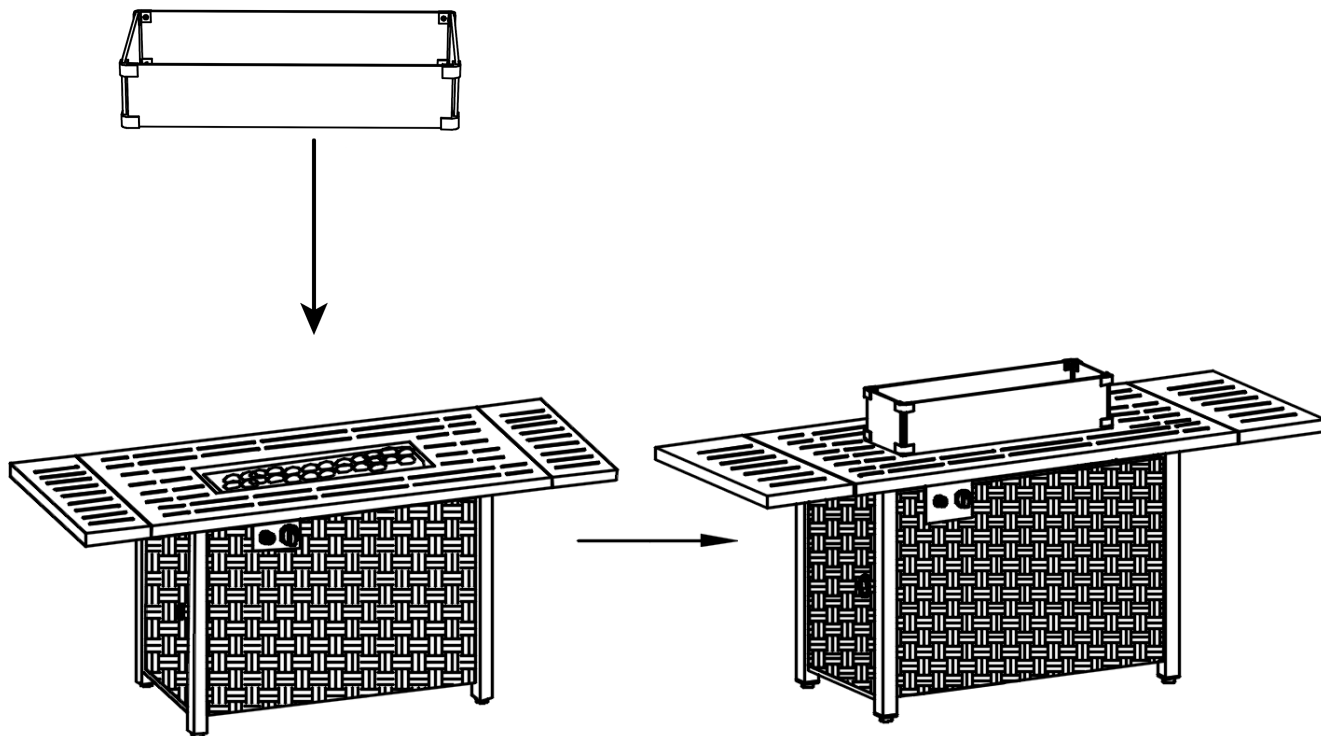
- Unscrew all preassembled screws on the glass clamps.

Next, assemble one glass panel to the other glass panel, and repeat this step for the rest of the two glass panels. Then, assemble the two glass panel pieces together with the final glass clamps as shown below.



## 2 Putting on the glass

- Put the glass assembly made in step 1 on the top of the fire table body .

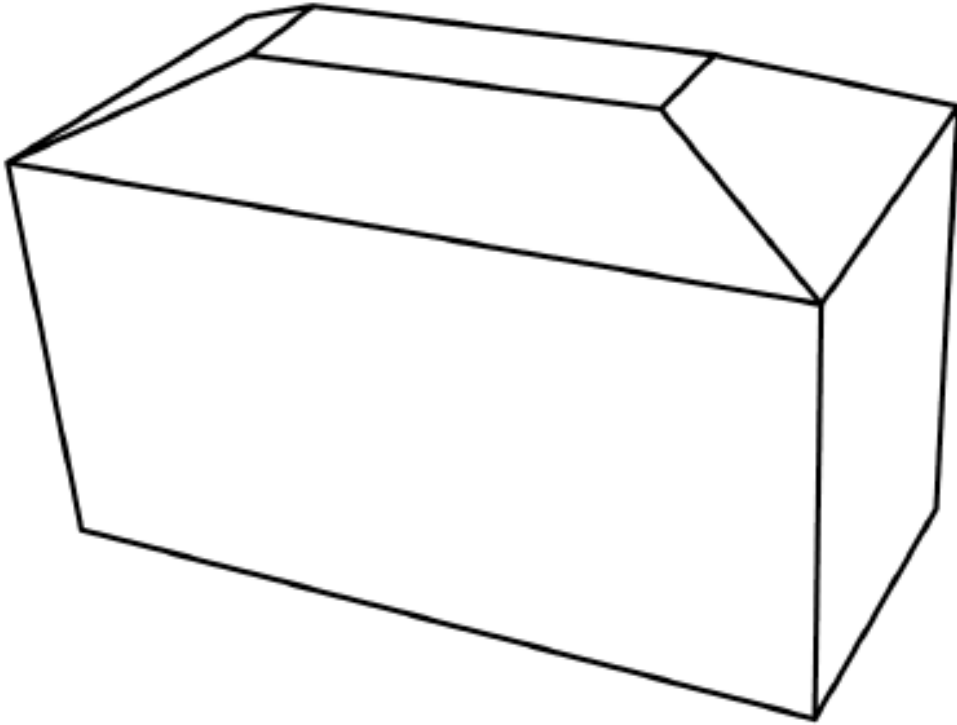


# Assembly


---

## 3 Placing the protective cover.

- When the gas furnace is not used outside, it should be covered with a protective cover (W) to prevent the product from oxidization caused by exposure to sun and rain.



# OPERATION

 **WARNING:** This appliance should not be used for any purpose other than the intended use. Do not use this appliance to prepare food.


**Initial Lighting:** When lit for the first time, the appliance emits a slight odor. This is a normal, temporary condition caused by the "burn-in" of the internal paints and lubricants used in the manufacturing process and will not occur again. Turn on the main burner to "high" position and let it burn for about half an hour.

 **WARNING:**

- Children and adults should be alerted to the hazards of high surface temperatures and should stay away from the appliance to avoid burns or clothing ignition.
- Children should be carefully supervised when they are in the area of the appliance.
- Clothing or other flammable materials should not be hung from the appliance, or placed on or near the appliance. The area above the enclosure may be extremely hot. Direct contact with these surfaces should be avoided in order to prevent burns or clothing ignition.
- Any guards or protective devices removed for servicing the appliance must be replaced prior to operating the appliance.
- Installation and maintenance should be done by a qualified service person.
- The appliance should be inspected before each use and at least annually by a qualified service person. More frequent cleaning may be required necessary. It is imperative that the control compartment, burners, and circulating air passageways of the appliance be kept clean.

 **WARNING:**

- Never use the appliance while it is raining. Always turn the appliance off when raining.
- Never use the appliance if the burner is damaged. Inspect the burner before each use.
- Ensure that no debris such as leaves; grass or other objects have entered or are on the appliance. If the burner is damaged, it must be replaced with the manufacturer's specified burner before using the equipment.
- Inspect the hose assembly before each use. If there is evidence of excessive abrasion or wear, or if the hose is damaged it must be replaced prior to using the appliance with a replacement hose assembly specified by your manufacturer.

 **WARNING: Any modification to the appliance may compromise the safety of this appliance. Special concerns are as follows:**

Do not bypass thermocouple safety.

Do not operate the appliance if any parts have been underwater. Call a qualified service technician immediately to check the equipment and replace any flooded control systems and gas control components.

## Lighting Instructions

1. Press and hold the electronic igniter button.
2. Turn the burner control to the high position; press and hold in. When the burner lights, release the electronic igniter button.
3. Continue to depress the burner control knob for 30 seconds and then release. If the flame goes out, repeat the procedure.
4. Adjust the flame to the desired height with the burner control knob.
5. If the burner will not light with the electronic igniter, hold a lit long match or lit long butane lighter to the ignition area of the burner and continue with step 2.
6. To shut down the burner, turn the burner control knob clockwise to the off position. Then turn the gas off at the source (propane cylinder valve or natural gas supply valve).



### WARNING

#### **FOR YOUR SAFETY:**

**Keep your face and body away from burner area when lighting. Ensure burner controls are in the off position. Slowly turn on the gas supply valve.**



### WARNING

#### **FOR YOUR SAFETY:**

**The propane cylinder is equipped with an excess flow device. Unless burners are turned off prior to turning the cylinder on, only small flames and low heat will be achievable.**



### WARNING

#### **FOR YOUR SAFETY:**

**If the burner does not light within 10 seconds, turn the valve off and wait for 5 minutes for any gas to dissipate before repeating the procedure.**

# MAINTENANCE AND STORAGE

## MAINTENANCE:

To enjoy years of outstanding performance from your appliance, make sure you perform the following maintenance activities on a regular basis:

- **At least once a year, the unit should be inspected** for spiders, cobwebs, or other insects.
- Air flow must be unobstructed. Keep controls, burner, and circulating air passageways clean. Signs of possible blockage include:
  - Gas odor with extremely tilted yellow flames.
  - Appliance does NOT reach the desired temperature.
- Excessive unevenness of heat.
- Popping sounds when heating.
- Spiders and insects can nest in burner or orifices. This dangerous condition can damage appliance and render it unsafe for use. Clean burner holes by using the liquid clog remover. Compressed air may help clear away smaller particles.
- Carbon deposits may create a fire hazard. Clean reflector, thermocouple, and emitter screen with a dry cloth if any carbon deposits develop.
- The burner is made of stainless steel, but extreme heat and a corrosive environment can cause surface corrosion to occur. Inspect the burner at least annually for cracks, insect nests, excessive corrosion, or any other damage. If the burner is damaged, it must be replaced with a burner specified by the manufacturer before the appliance is put into operation.

## **STORAGE:**

### **Between use**

- Turn the control knob to the "OFF" position.
- Disconnect the LP source.
- Store the appliance upright in an area sheltered from direct contact with inclement weather (such as rain, sleet, hail, snow and dust).
- Cover the appliance to protect exterior surfaces and to help prevent build-up in air passages.

NOTE: Wait until the appliance has cooled down before covering it.

### **During periods of extended inactivity or when transporting**

- Turn the control knob to the "OFF" position.
- Disconnect the LP source and move to a secure, well ventilated, and outdoor location. DO NOT store in a location that will exceed 125°F.
- Store the appliance upright in an area sheltered from direct contact with inclement weather (such as rain, sleet, hail, snow and dust).
- Cover the appliance to protect exterior surfaces and to help prevent build-up in air passages.

NOTE: Wait until the appliance has cooled down before covering it.

# TROUBLESHOOTING

PROBLEM	PROBABLE CAUSE	SOLUTION
Low heat / Low flame when valve turned to high.	Incorrect lighting operation.	Ensure the lighting procedure is followed carefully. The valve must be in the off position when the tank valve is turned on. Turn the tank on slowly to allow the pressure to equalize. See lighting instructions. Pipe must be sized according to installation code.
Burners burn with yellow flame, accompanied by the smell of gas.	Possible cobwebs or other debris.	Thoroughly clean the burner venturi. See general maintenance instructions.
Burners will not light with the igniter, but will light with a match.	Loose electrode wire or switch terminal wires.	Check whether the electrode wire is firmly pushed onto the terminal on the back of the igniter. Check that the lead wires from the module to the ignition switch (if equipped) are firmly pushed onto their respective terminals.
Burners will not stay lit when the control knob is released.	Knob not being held in long enough.  Too windy.  Lava glass or debris in ignition area of the burner preventing thermocouple from being fully engulfed in flame.  Dirty thermocouple or thermocouple connection.  Faulty thermocouple or valve.	Thermocouple must have time to heat up - hold the knob in for 30 seconds after the burner lights, then release.  If the wind speed is greater than 10 mph (16 km/h), the unit will shut down automatically. Either place it in a different area or use it when the wind is low.  Ensure that there are no lava glass or other debris in the ignition area, and that the small hole below the thermocouple is unobstructed.  Clean the thermocouple and clean the connection between the valve and thermocouple. Ensure the connection is properly tightened.  Replace thermocouple and / or valve.
Humming regulator.	Normal occurrence on hot days.	This is not a defect. It is caused by internal vibrations in the regulator and does not affect the performance or safety of the appliance. Humming regulators will not be replaced.
Burner output on "high" setting is too low. (Rumbling noise and fluttering blue flame at burner surface.)	Lack of gas.  Supply hose is pinched.  Dirty or clogged orifice.  Cobwebs or other substances in the venturi tube. Propane regulator in "low flow" state.	Check gas level in the propane cylinder.  Reposition the supply hose to suit needs.  Clean the burner orifice.  Clean out the venturi tube.  Ensure the lighting procedure is followed carefully. All valves must be in the off position when the tank valve is turned on. Turn the tank on slowly to allow pressure to equalize. See lighting instructions.



Thank you for purchasing this product! If you have any questions about the product, such as missing parts, damaged products, product assembling, and operation, please contact us via **Amazon Message** or customer service number: **213-4467172 or 661-4358826**

### **IMPORTANT**

Please call our customer service department for any consulting:

**213-4467172**

**661-4358826**

(8:30am - 5:30pm P.S.T.)

DATED PROOF OF PURCHASE IS REQUIRED FOR WARRANTY SERVICE.

### **AVIS**

Veillez appeler le service a la clientele pour toutes questions au:

**213-4467172**

**661-4358826**

(8:30am - 5:30pm P.S.T.)

PREUVE D'ACHAT ORIGINALE REQUISE POUR SERVICE DE GARANTIE.

### **IMPORTANTE**

Solo hay que llamar nuestro departamento de servicio al cliente en caso de tener preguntas o inquietudes:

**213-4467172 or**

**661-4358826**

(8:30am - 5:30pm P.S.T.)

SE REQUIERE PRUEBA DE COMPRA CON FECHA PARA SERVICIO BAJO GARANTIA.

Address: ROWAN ELECTRIC APPLIANCE LLC 28407 Ascent Way, Santa Clarita, CA 91350  
Phone: 213-4467172 or 661-4358826