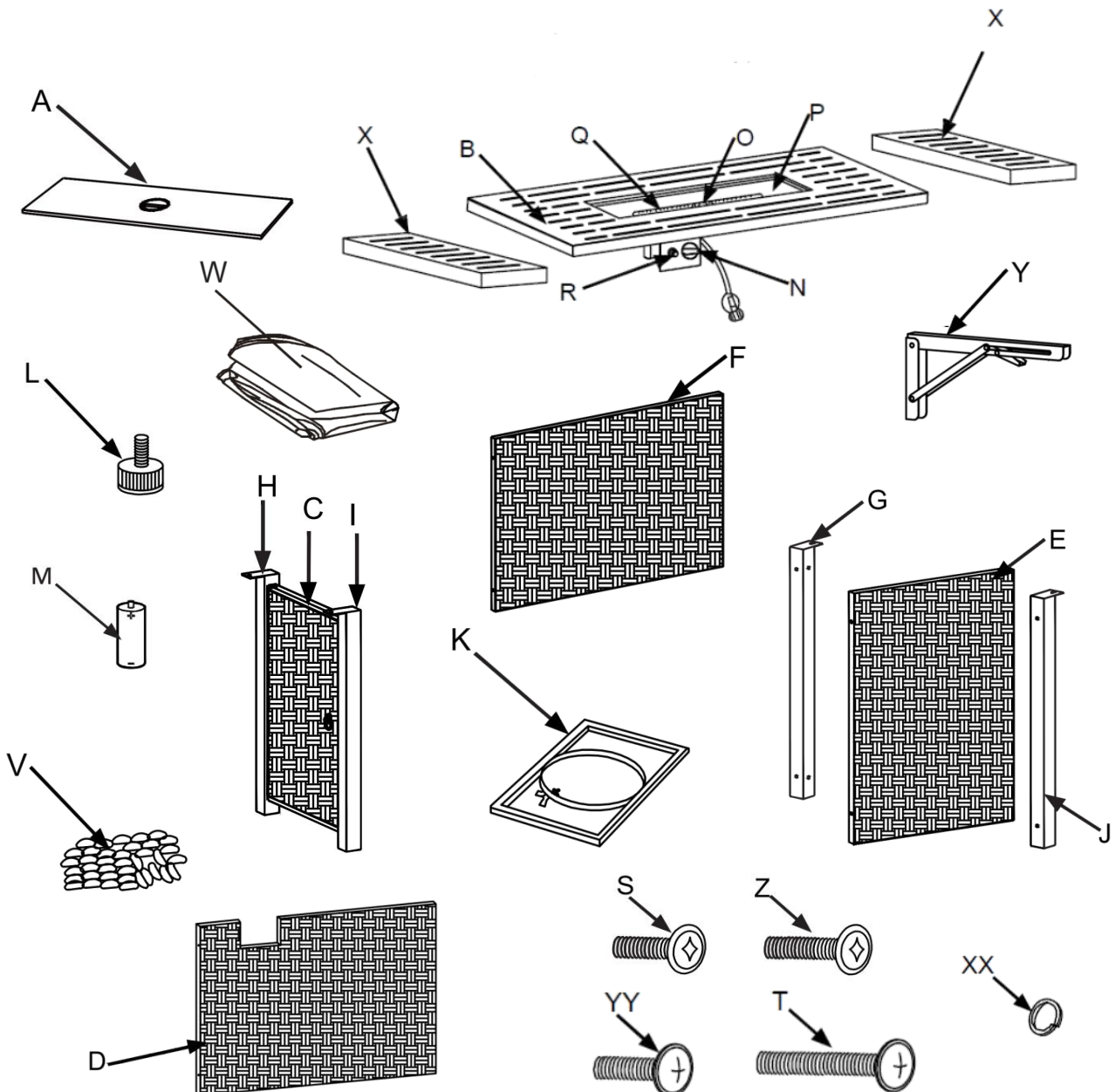


# INSTALLATION GUIDE

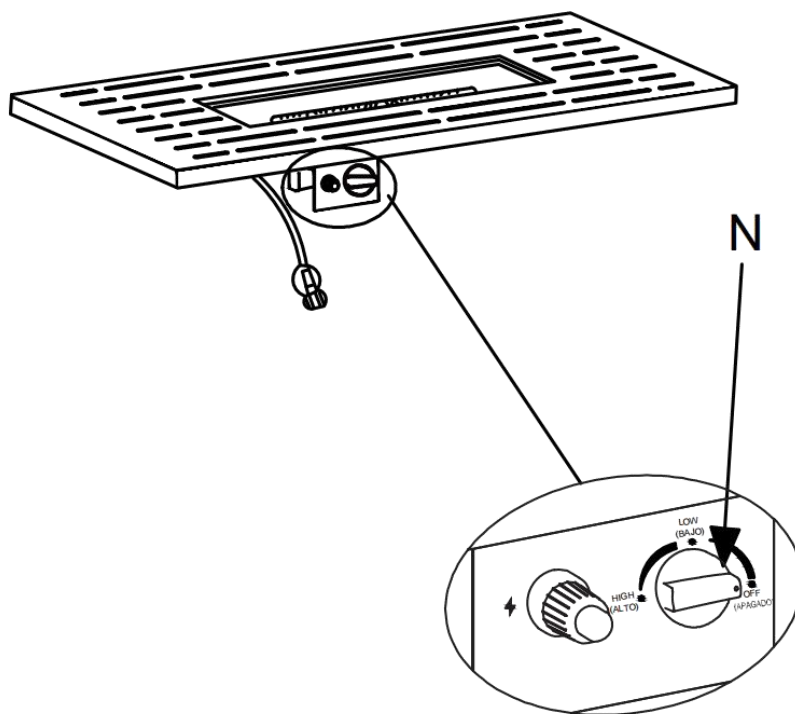
## Main Parts:

- |                    |  |                        |
|--------------------|--|------------------------|
| A. Table lid       | K. Metal stand                             | S. M6*12 screw (*4)    |
| B. Table top       | L. Foot pad (*4)                           | T. M6*35 screw (*12)   |
| C. Door            | M. Battery (AAA)                           | V. Glass stones        |
| D. Front panel     | N. Control knob (preassembled)             | W. Protective cover    |
| E. Side panel      | O. Firepit glass wind guard (preassembled) | X. Side table top (*2) |
| F. Back panel      | P. Fire bowl (preassembled)                | Y. Foldable part (*4)  |
| G. Right back leg  | Q. Burner (preassembled)                   | Z. M6*25 screw (*4)    |
| H. Left back leg   | R. Electronic igniter (preassembled)       | XX. Spring washer (*8) |
| I. Left front leg  |  | YY. M6*16 screw (*16)  |
| J. Right front leg |  |                        |



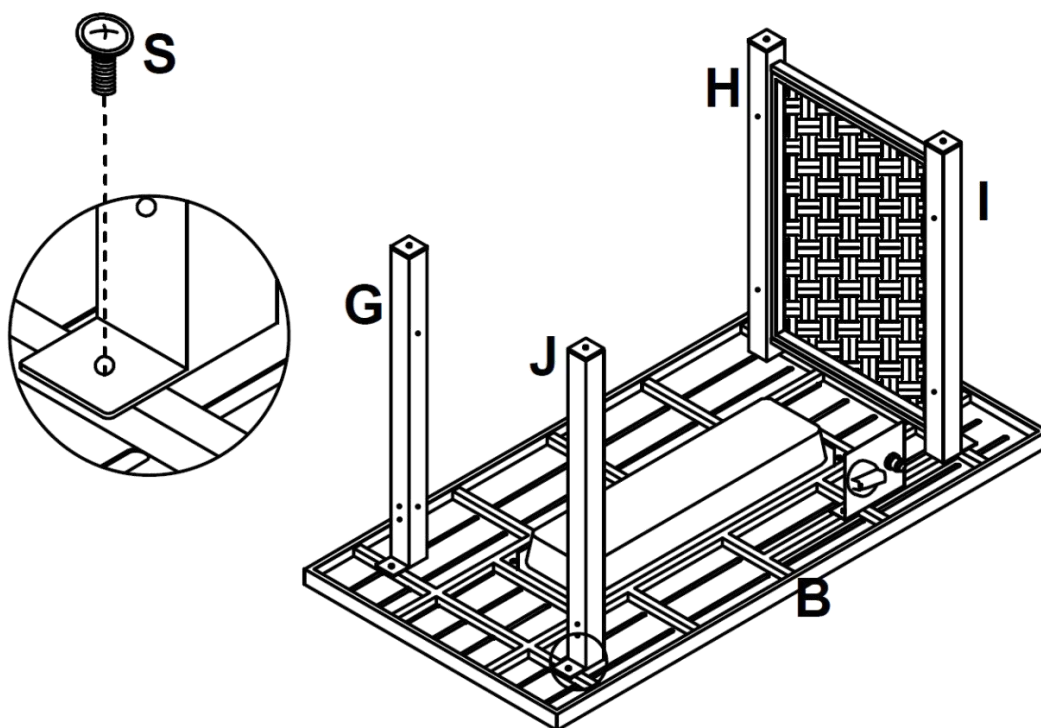
### Step 1: Checking the gas control

Check that the control knob(N) for the gas supply system is turned to the "OFF" position before starting any assembly.



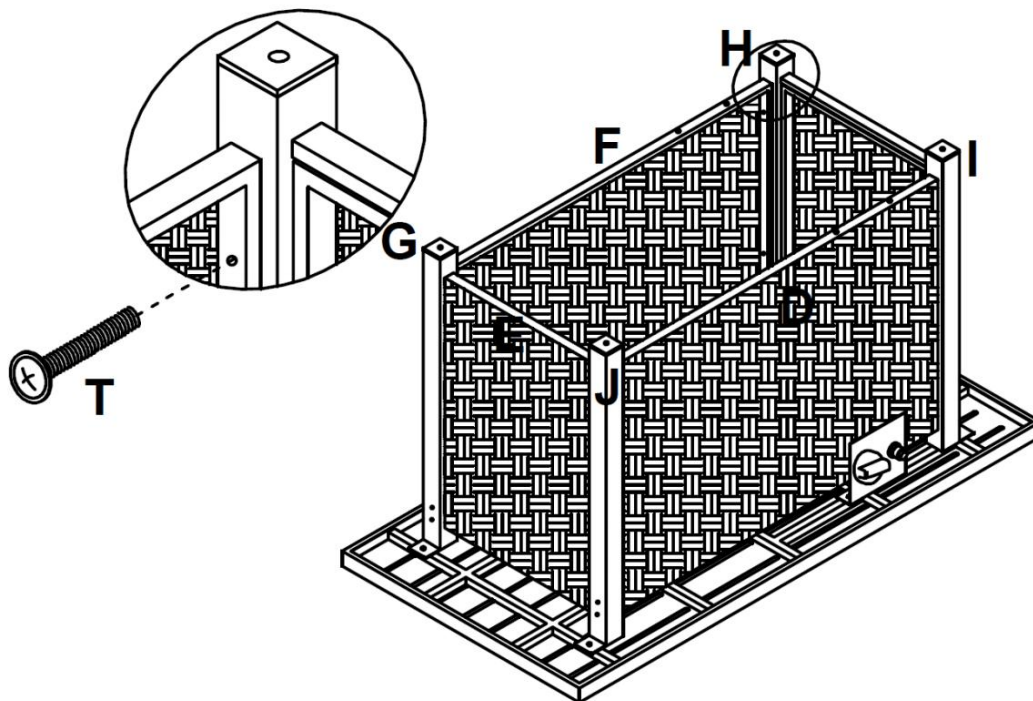
### Step2: Attaching the legs

Attach the legs (G) (H) (I) (J) to the table top (B) with 4 pcs M6\*12 screws (S).



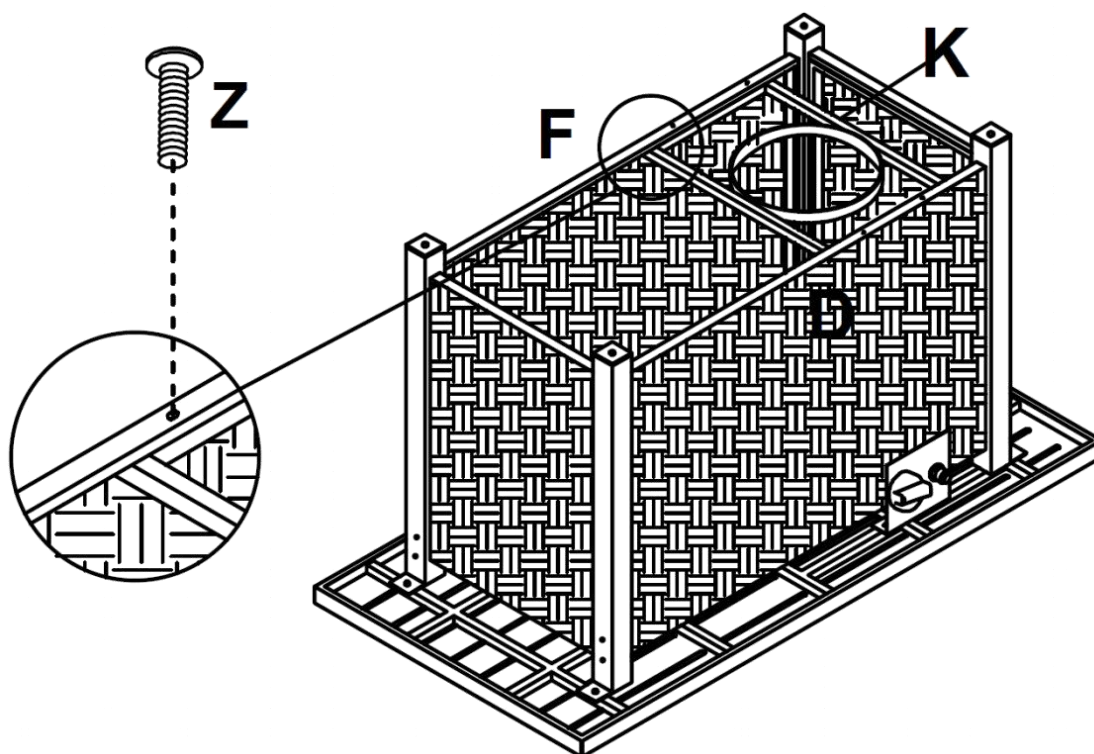
**Step3: Attaching the back, front and side panels**

Attach the back panel(F), side panel(E) and front panel(D) to the parts(C) and legs(G,J) with 12 pcs M6\*35 screws(T).



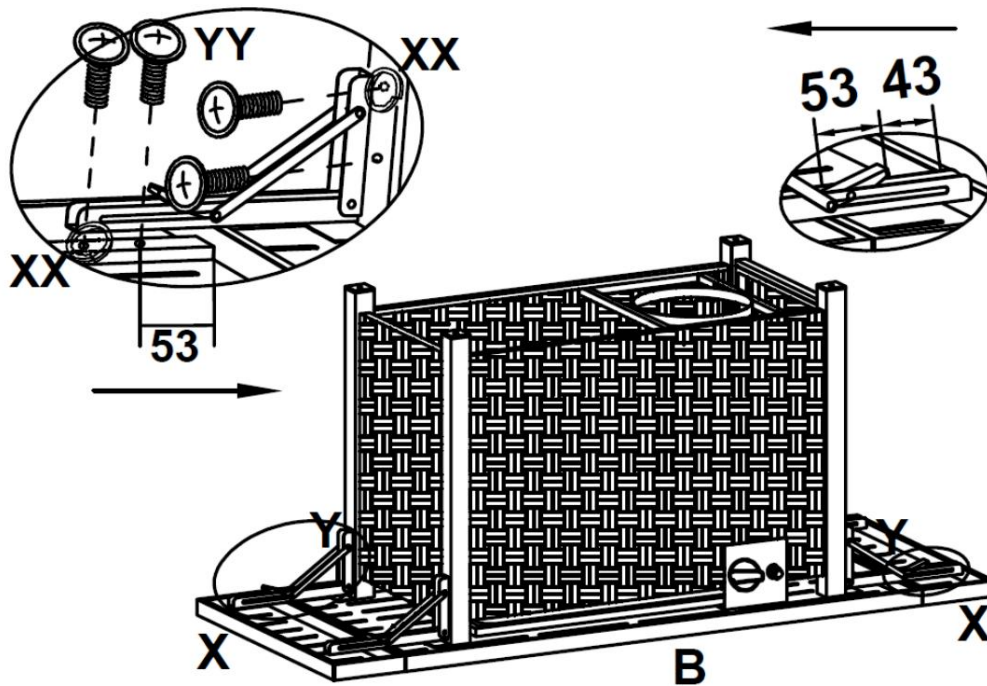
**Step 4: Attaching the metal stand**

Attach the metal stand(K) to the back panel(F) and front panel(D) with 4 pcs M6\*25 screws (Z).



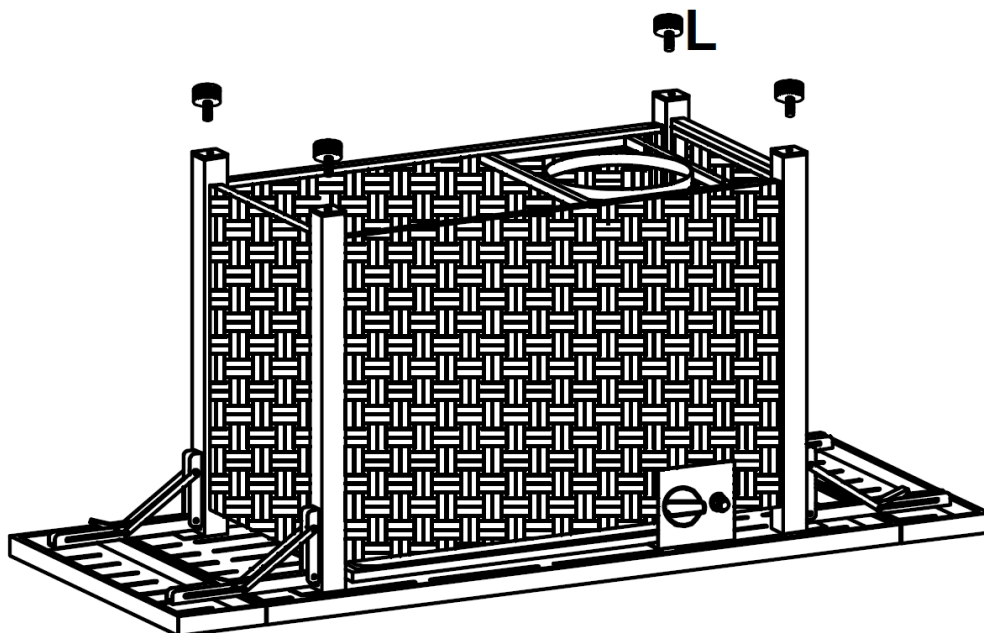
**Step 5: Attaching side table tops**

Attach the side table top(X) to the table top(B) with 4 pcs foldable parts(Y) and 16 pcs M6\*16 screws(YY) and 8 pcs spring washers(XX).



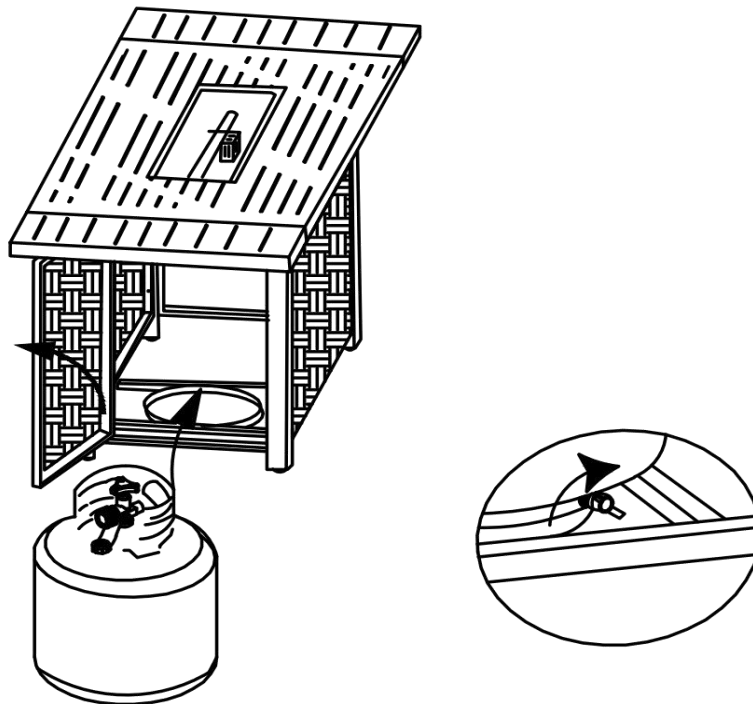
**Step 6: Attaching the foot pads**

Attach the 4 pcs foot pads(L) to the legs(G, H, I, J).



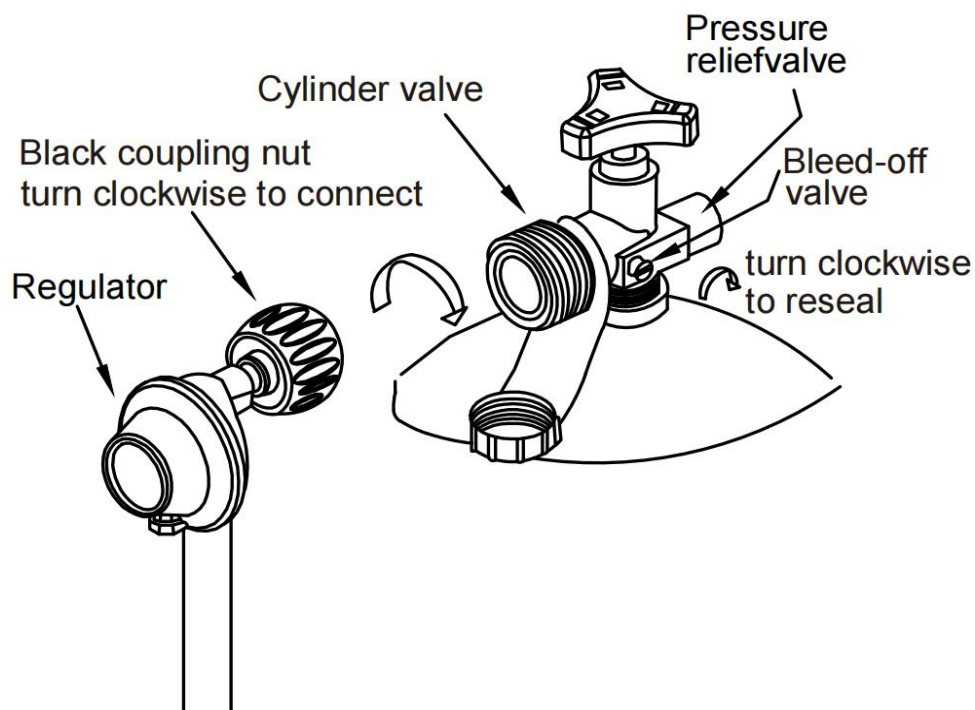
### Step 7: Securing the propane tank

Place propane gas tank (not included) into the metal stand (K). Make sure the gas tank sits on the metal stand completely. Turn the preassembled wing screw on the outer part of metal stand (K) clockwise to secure the propane gas tank tightly.



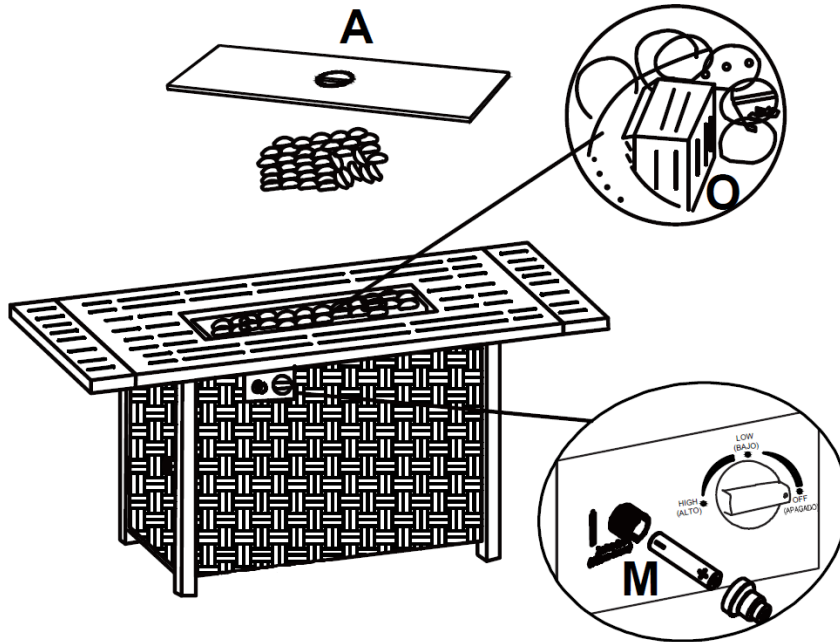
### Step 8: Attaching the regulator

Turn the cylinder valve on the tank clockwise to close the propane tank. Attach the preassembled regulator from the table top (B) to the cylinder valve by turning the regulator coupling nut clockwise. Make sure it is fastened securely and tighten connections by hand only.



### Step 9: Putting the glass stones and AAA battery

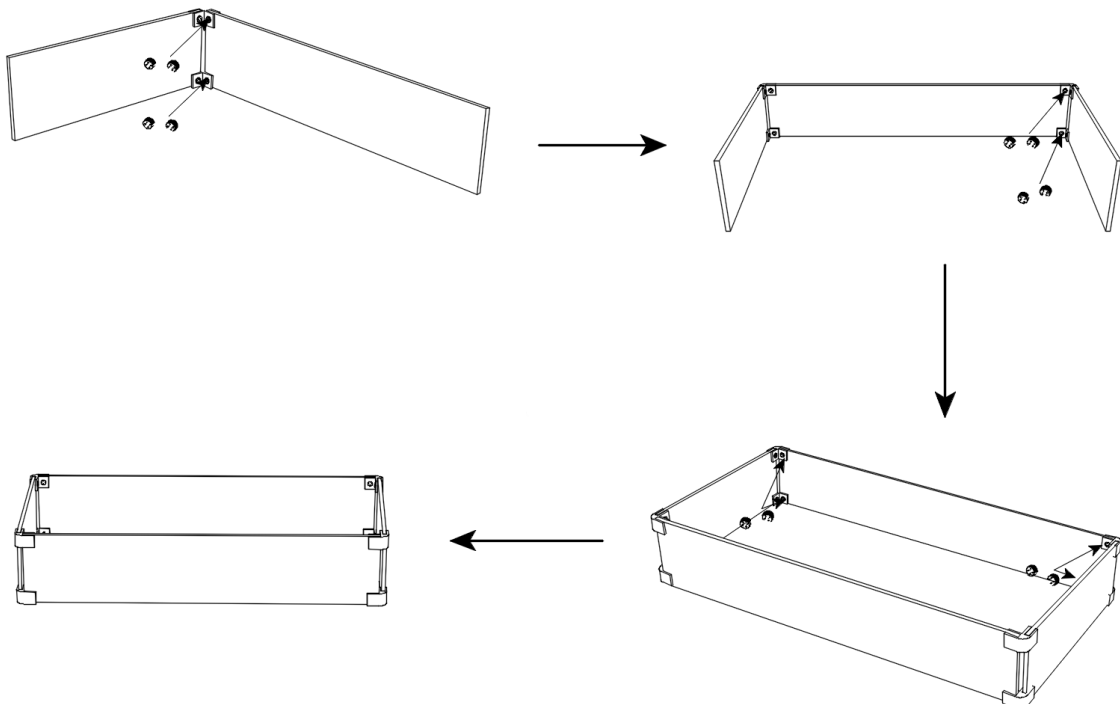
Open the igniter cover and put the AAA battery (M) into it, then tighten the igniter cover completely. Pour the glass stones around the burner. Ensure that the glass stones are not placed on the ignition portion of the burner and the guard (O). Place the lid (A) over the fire bowl. The lid must be removed when the burner is in operation. Wait until the unit cools completely before placing the lid .



### Step 10: Assembling the glass

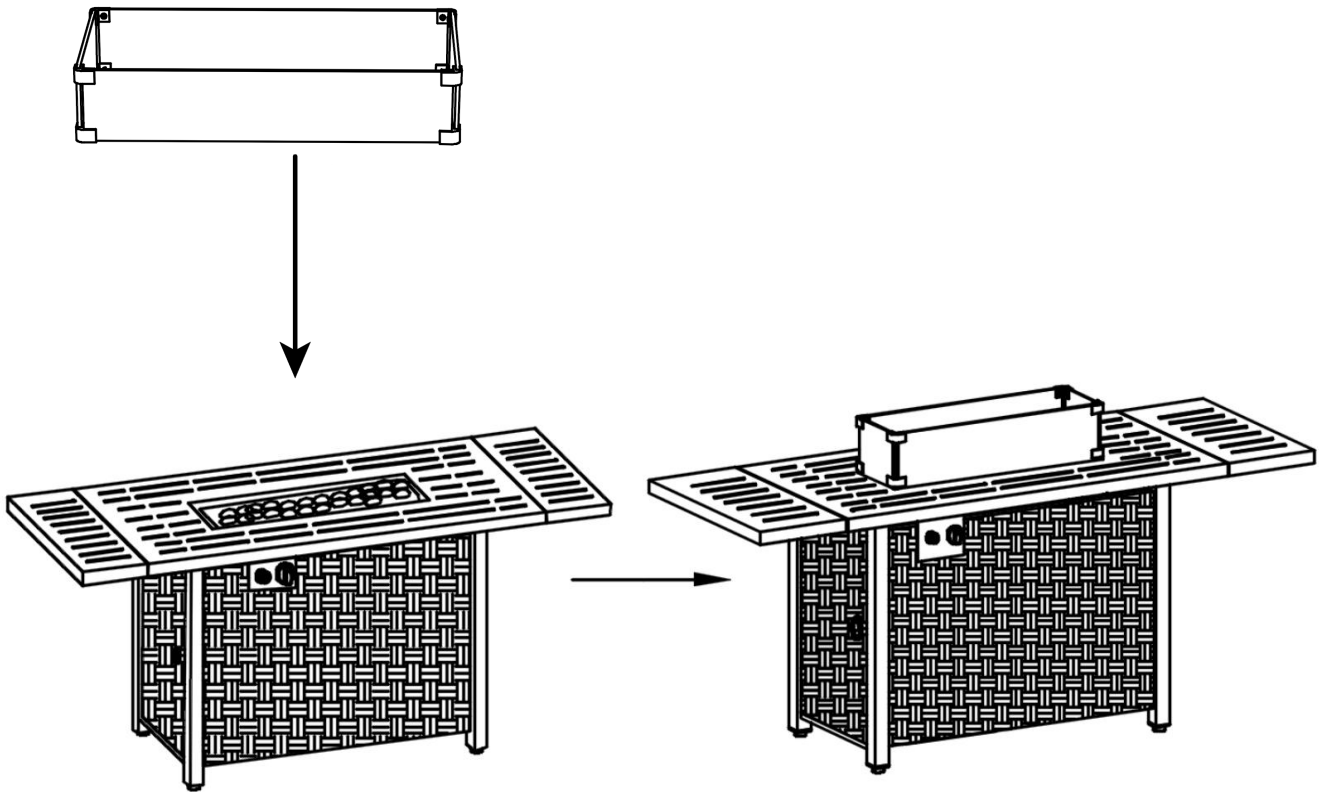
Unscrew all preassembled screws on the glass clamps.

Next, assemble one glass panel to the other glass panel, and repeat this step for the rest of the two glass panels. Then, assemble the two glass panel pieces together with the final glass clamps as shown below.



**Step 11: Putting on the glass**

Put the glass assembly made in step 10 on the top of the fire table body.



**Step 12: Placing the protective cover**

When the gas furnace is not used outside, it should be covered with a protective cover (W) to prevent the product from oxidization caused by exposure to sun and rain.

