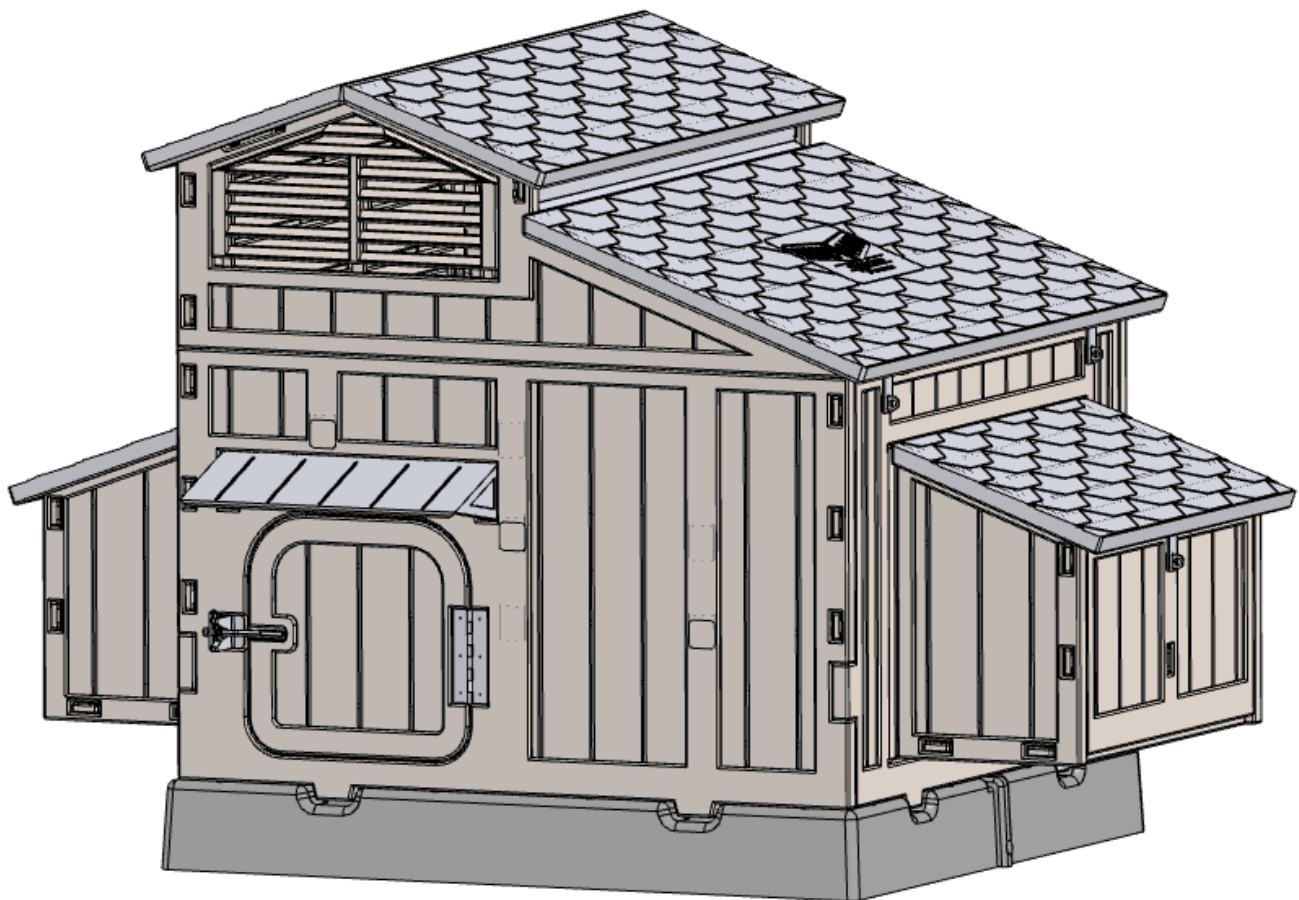


SNAP LOCK

Chicken Coops

BY **Formex**®

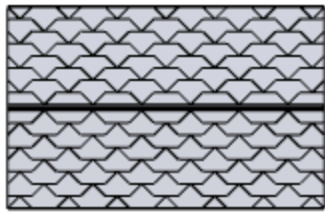


Instruction Manual
for Snap Lock Chicken Coop Model LG12

PARTS LIST FOR LARGE MODEL SNAP LOCK CHICKEN COOP

This kit for the Large Model SNAP LOCK CHICKEN COOP includes the following:

- one envelope containing instructions, the warranty, five nylon ratchet fasteners, and eight carabiners.
- It also includes all the parts listed on this page.



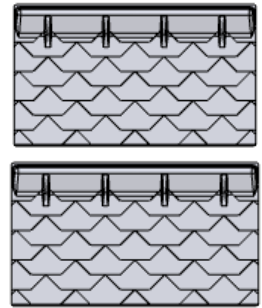
Hip Roof (1)



Lid Roof (1)



Roosts (3)



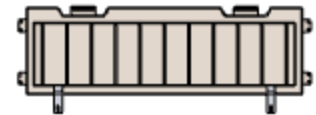
Nest Box Lids (2)



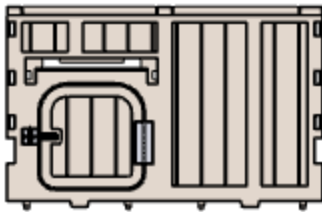
Front Gable (1)



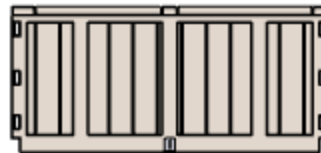
Back Gable (1)



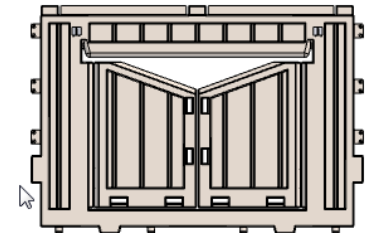
Upper Side Wall (1)



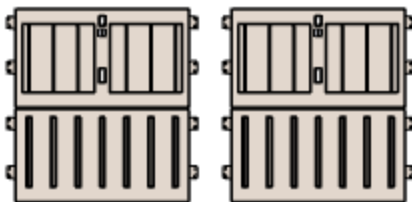
Front Wall (1)



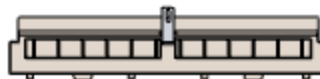
Back Wall (1)



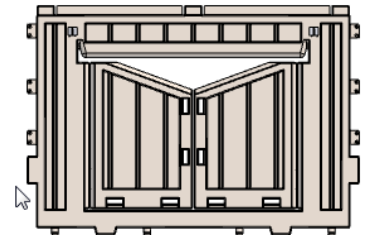
Nest Side Walls (2)



Nest Boxes (2)



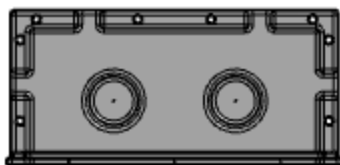
Removable Panel (1)



Nest Dividers (2)



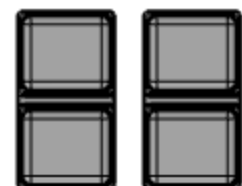
Awning (1)



Coop Base halves (2)
(one "A" side and one "B")

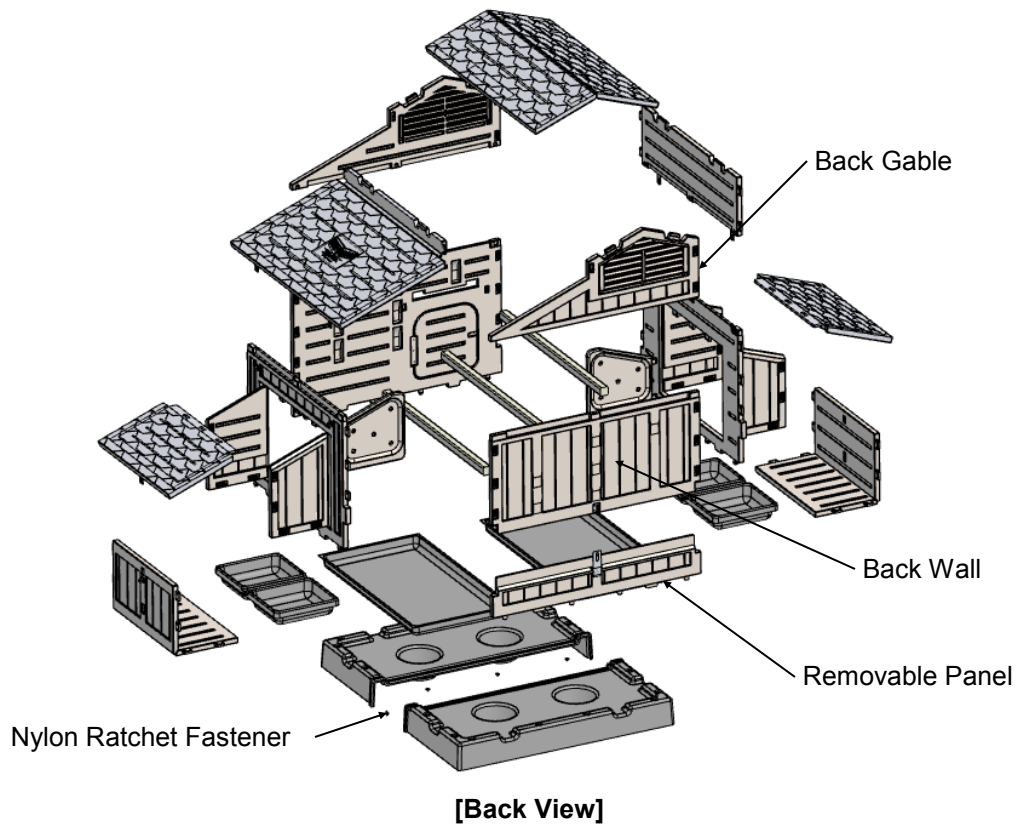
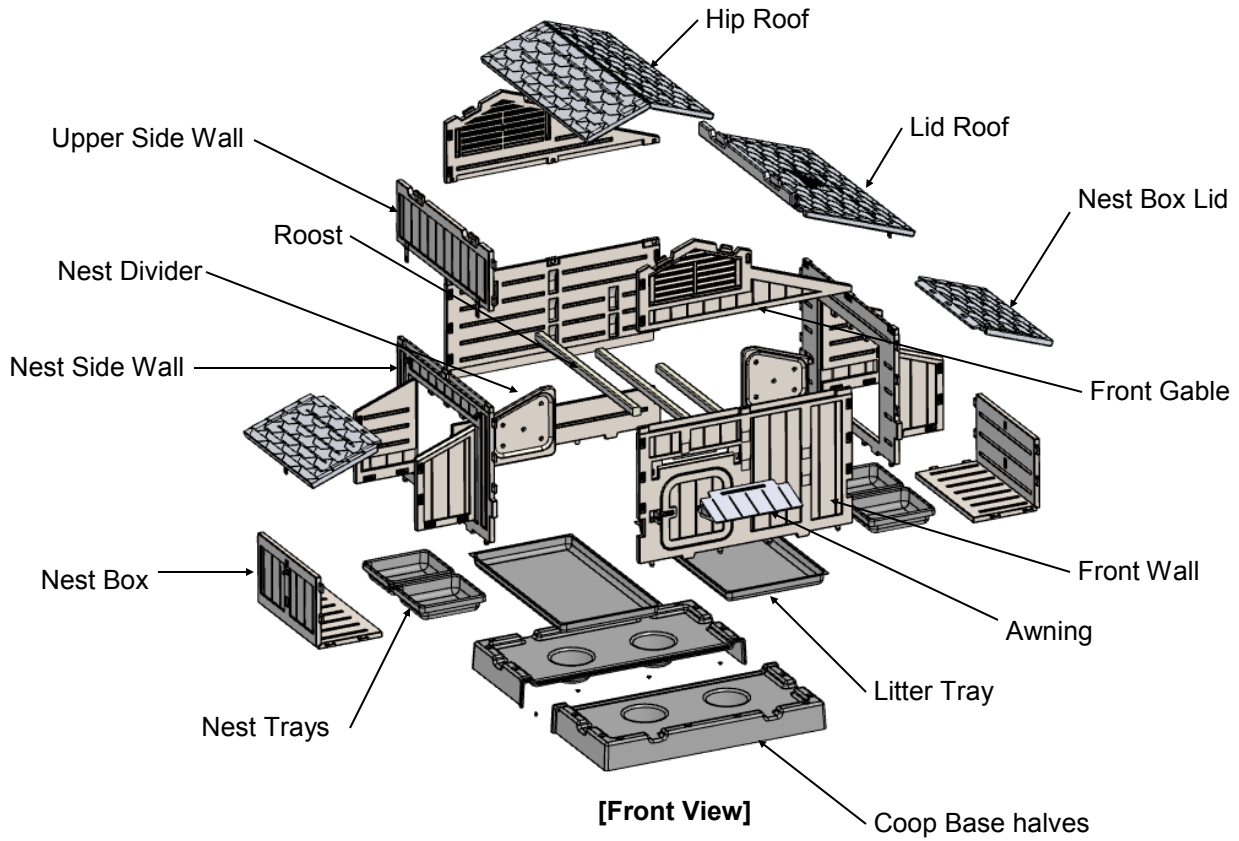


Litter Trays (2)



Nest Trays (2)

Exploded Views with Part Descriptions



Coop Base Assembly

Step 1: Assemble the Coop Base. Start by flipping both halves upside down (Fig.a), so that you can see the underside of the coop base. On the underside, you will see that one Coop Base half is marked with an "A" and one is marked with a "B".

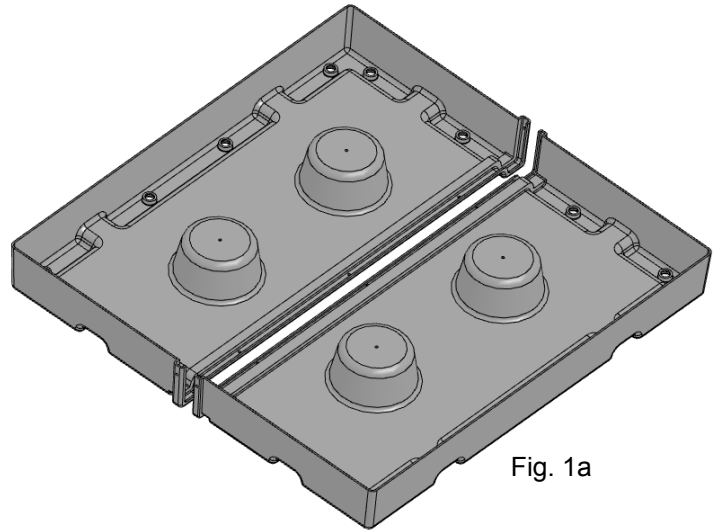


Fig. 1a

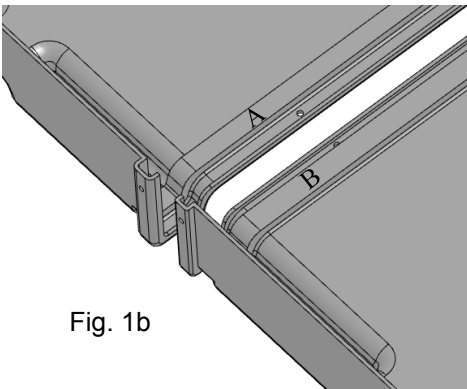


Fig. 1b

The "A" half has the larger channel and the "B" half has the smaller channel. (Fig. 1b)

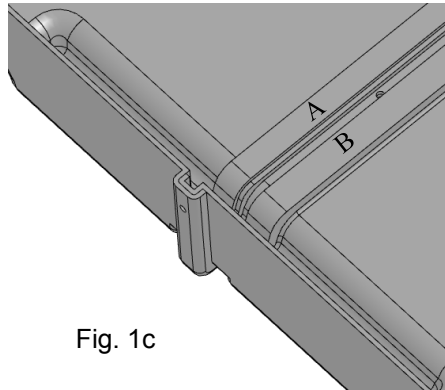


Fig. 1c

Place the "B" side's channel into the "A" side's channel, overlapping both halves together. There are five 1/4" holes in both the channels that will line up when finished. (Fig. 1c)

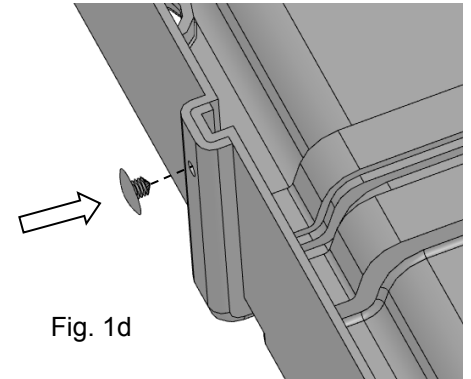


Fig. 1d

Take one of the five nylon ratchet fasteners and insert it through one of the side holes, being sure to penetrate both halves. Take the second fastener and do the same on the other side. (Fig. 1d)

Now you can flip the Coop Base over and insert the last three fasteners into the three 1/4" holes remaining (Fig. 1e). In order to make sure that you penetrate the "B" half, you may need to support the base from underneath, while you press down the fastener. Stacking two of the roosts and placing them underneath the Coop Base may help.

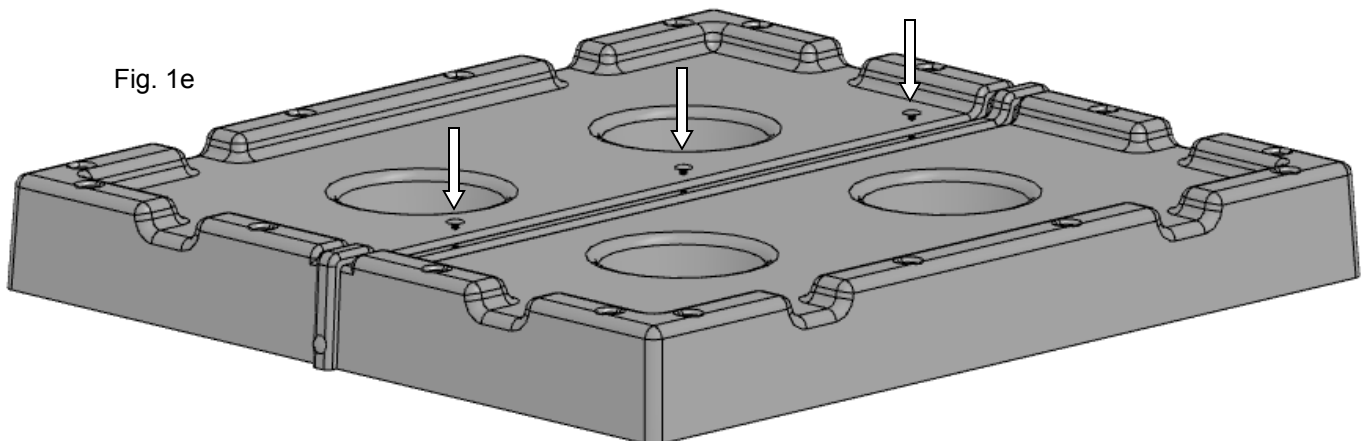


Fig. 1e

Coop Wall Assembly

Step 2: Assemble the Front Wall to a Nest Side Wall by aligning, and then inserting the tabs on the Nest Side Wall into the slots of the Front Wall. (Fig.2a)

Please note the difference between what the exterior of the walls look like and what the interior of the walls look like. Vertical lines and hardware face out.

This is what the interior of the walls look like. (Fig.2b)

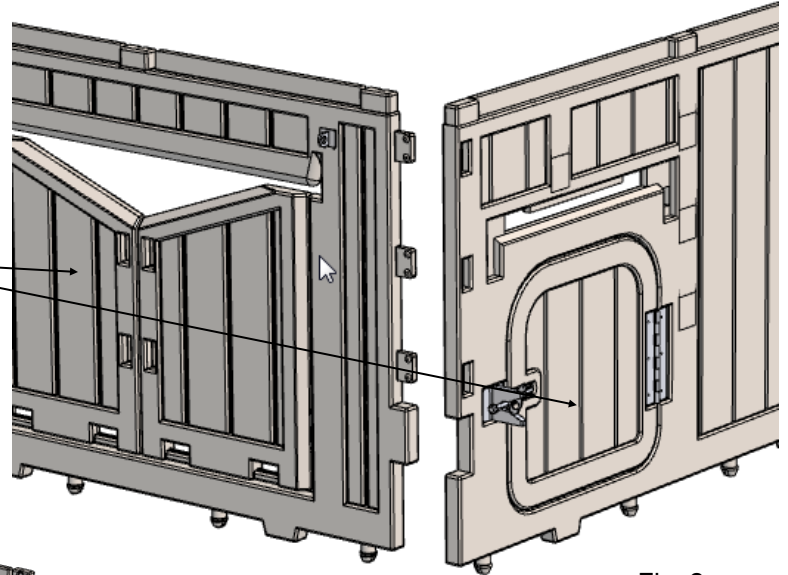


Fig. 2a

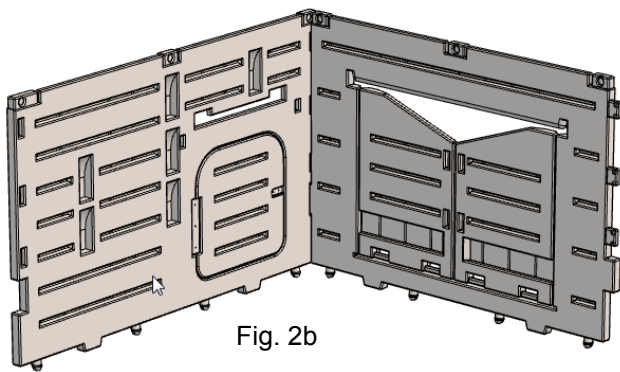


Fig. 2b

Step 3: Assemble the Front Wall to the other Nest Side Wall by aligning, and then inserting the tabs on the Nest Side Wall into the slots of the Front Wall. (Fig. 3)

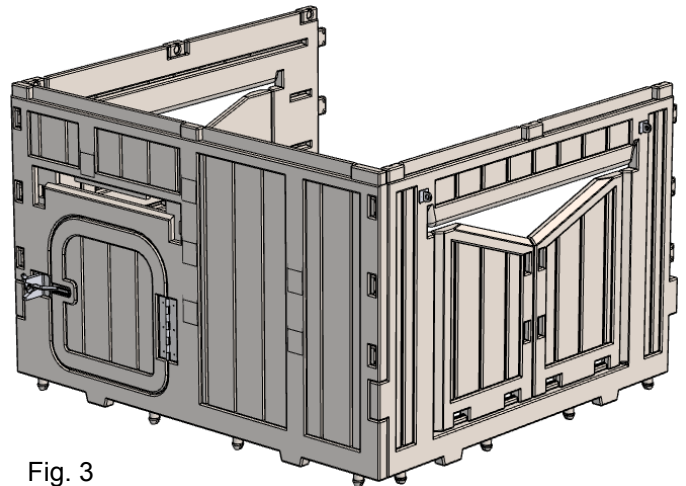


Fig. 3

Step 4: Assemble the two Nest Side Walls to the Back Wall by aligning, and then inserting the tabs on the Nest Side Walls into the slots of the Back Wall. (Fig. 4)

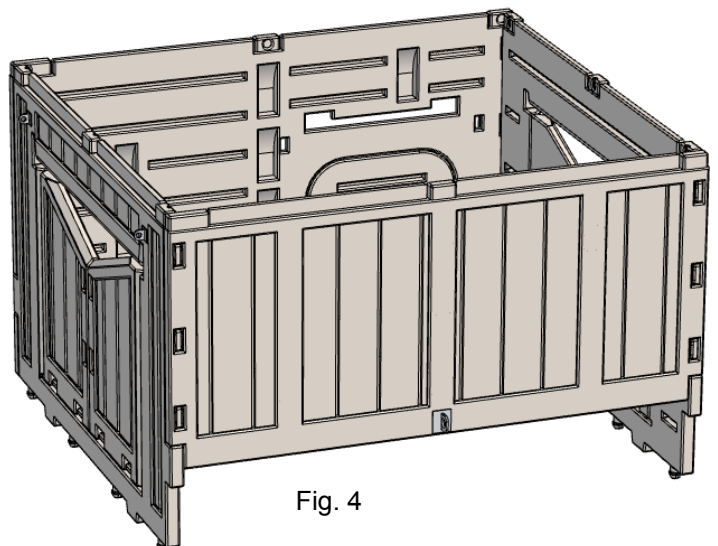


Fig. 4

Coop Wall to Coop Base Assembly

Fig. 5a

Step 5: Assemble the four walls to the Coop Base by aligning the pegs on the bottom of the walls with the corresponding holes in the Coop Base (Fig. 5a). Please note that the Coop Base is not square and measures 40" by 37". The Front Wall and the Back Wall is longer Than the Nest Side Walls. Align the Front Wall with the 40" side of the Coop Base and all the pegs will line up.

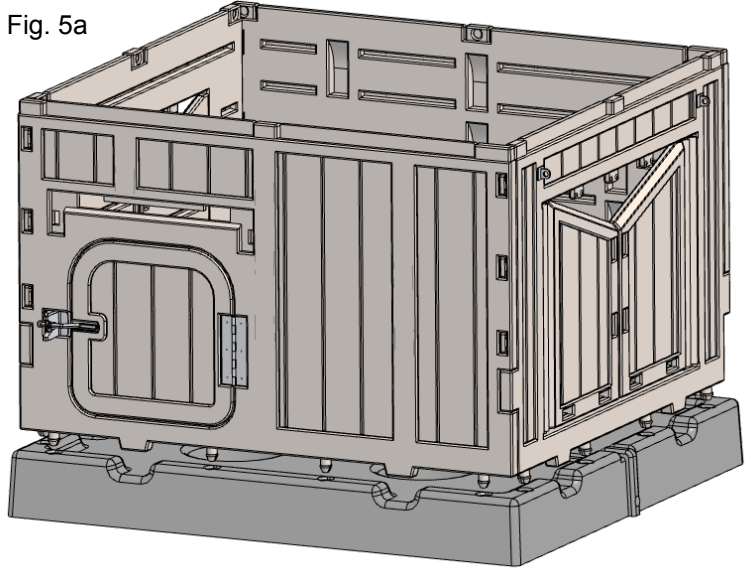
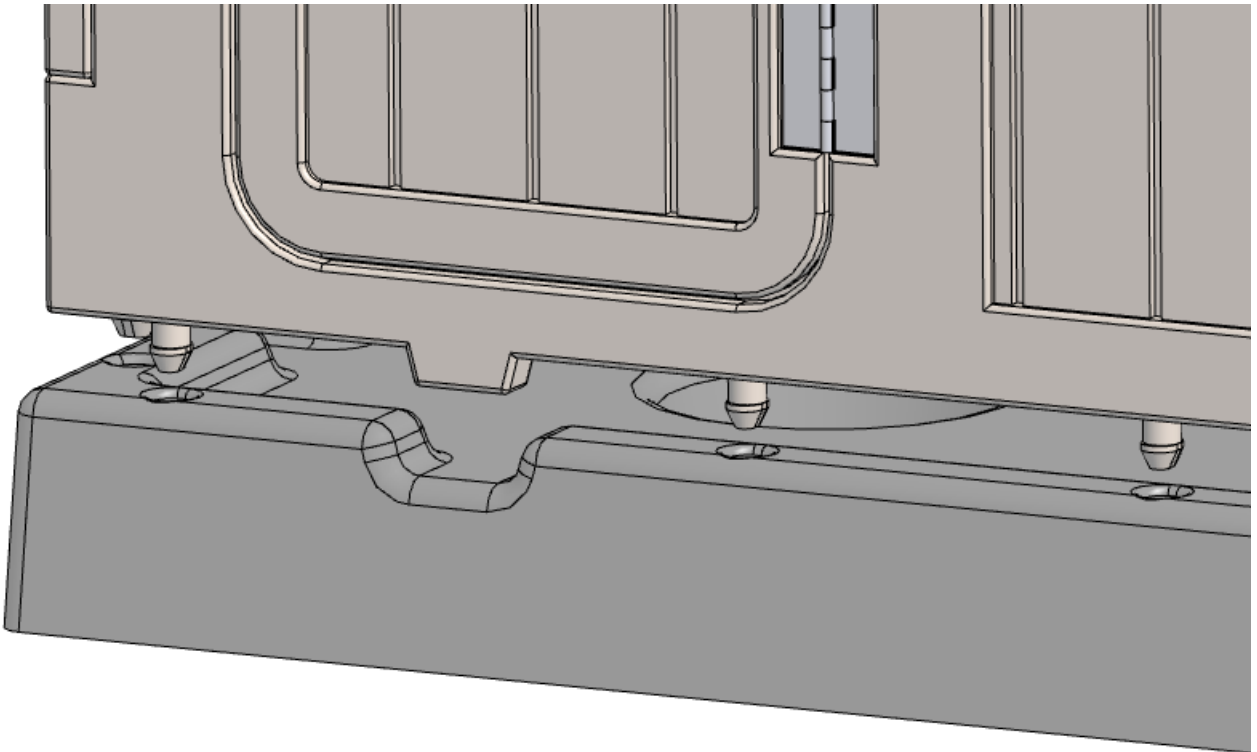


Fig. 5b



Press down firmly on the walls, making sure that the head on every peg has fully penetrated the holes in the Coop Base and is snapped in. (Fig. 5c)

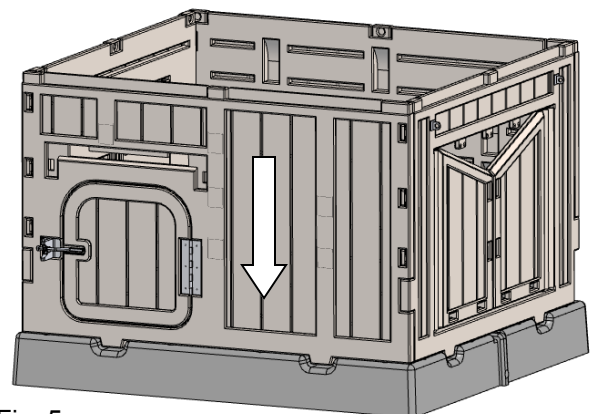
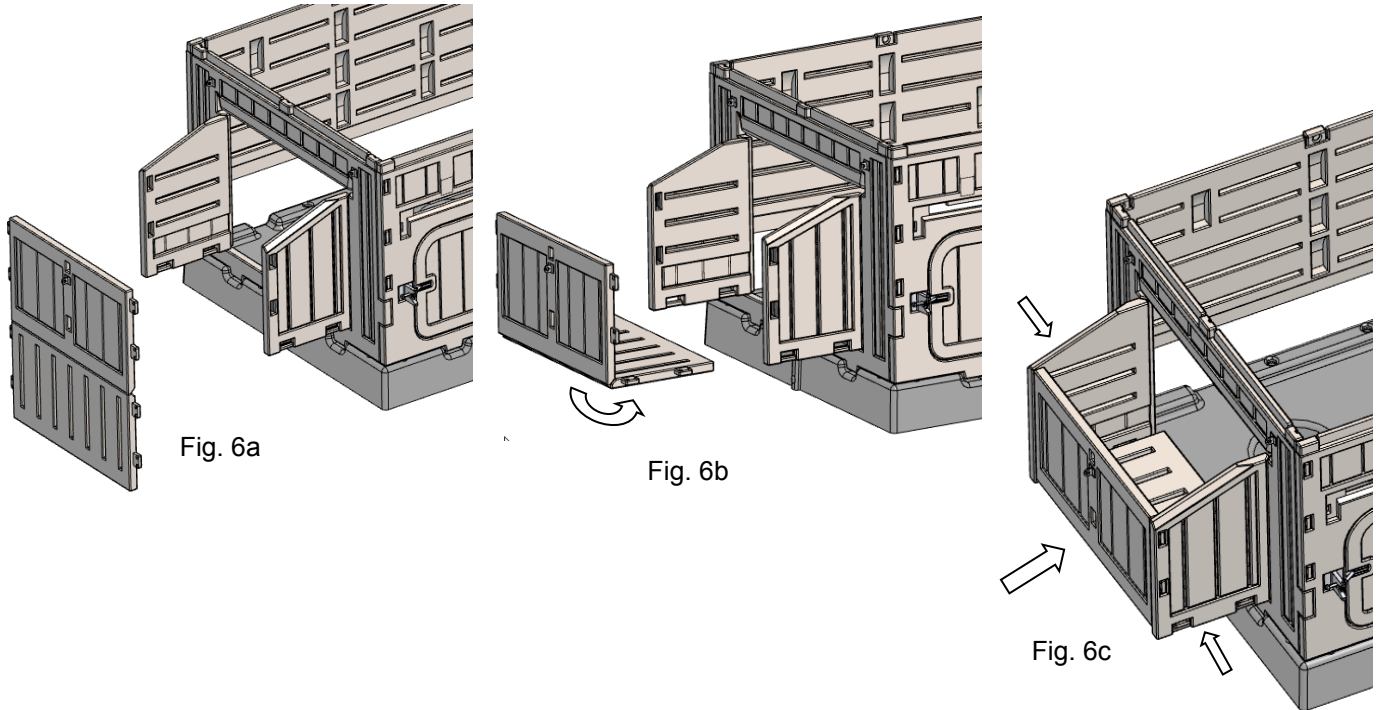


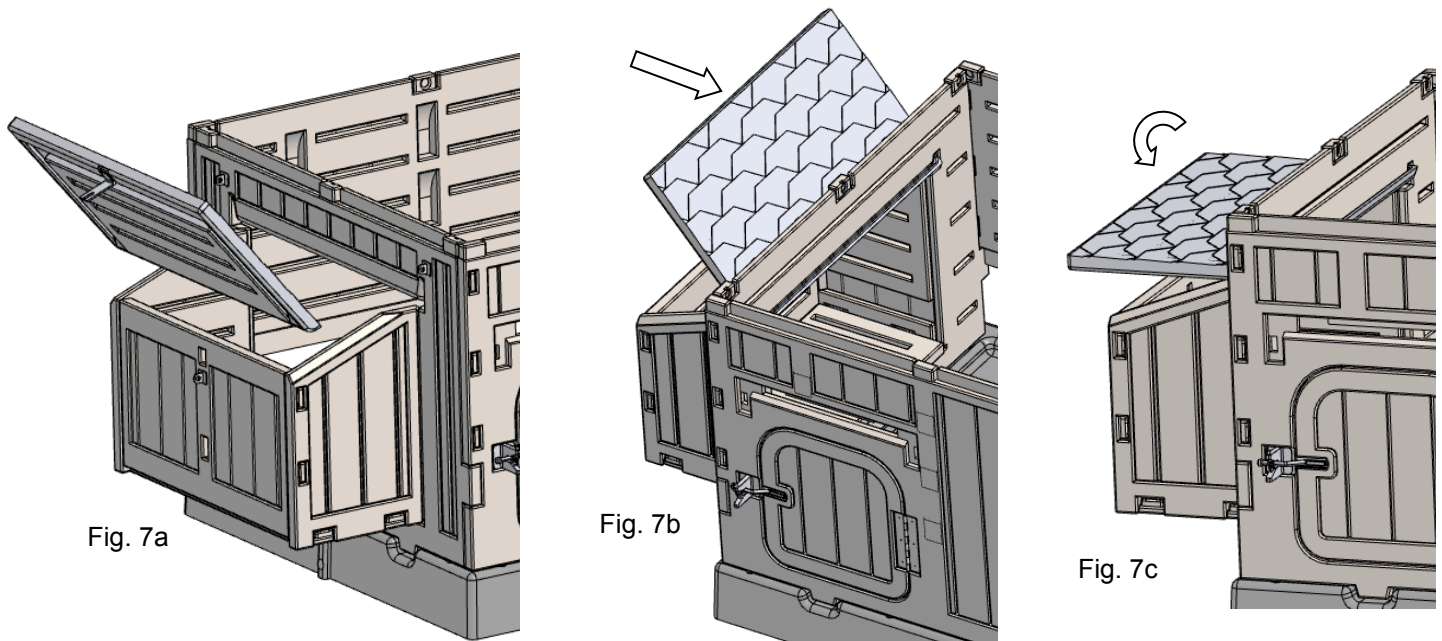
Fig. 5c

Nest Box Assembly

Step 6: Assemble the Nest Box to the Nest Side Wall by first folding the two flaps on the Nest Side Wall outward (Fig. 6a). Then fold the Nest Box panel 90 degrees (Fig. 6b) and place it between the flaps, aligning the tabs on the Nest Box with the slots on the Nest Side Wall (Fig. 6c). Now, firmly apply pressure to both the flaps until all eight tabs snap into place.

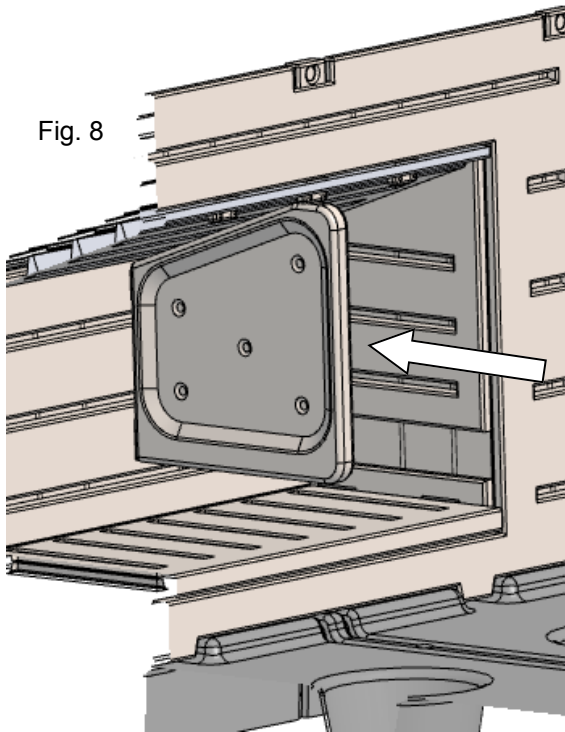


Step 7: Assemble the Nest Box Lid to the Nest Side Wall by first inserting the Nest Box Lid into the Nest Side Wall at an angle (Fig. 7a) that will allow the back end of the lid to slide underneath the upper tab on the Nest Side Wall (Fig. 7b). Sing down and the Nest Box Lid is in place. (Fig. 7c)



Nest Box Assembly

Step 8: Assemble the Nest Divider to the Nest Box by aligning the two tabs on the Nets Divider to the slots in the Nest Box and inserting the tabs until they snap into place (Fig. 8).



Step 9: From inside the coop, slide the Nest Tray into the Nest Box, underneath the Nest Divider. (Fig. 9)

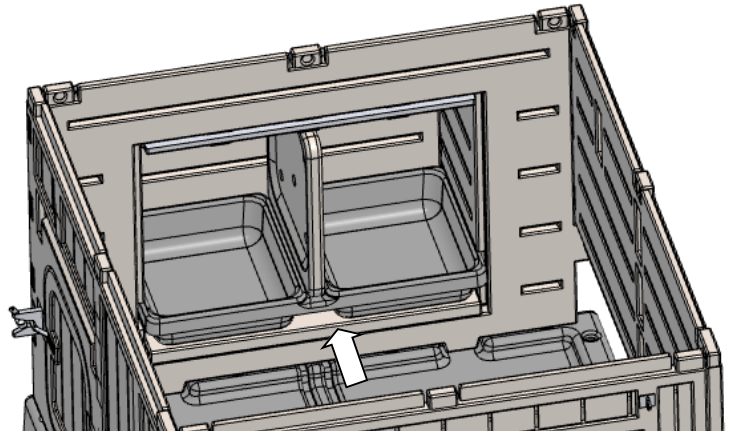


Fig. 9

Step 10: Repeat steps 6 through 9 to complete the Nest Box Assembly on the other Nest Side Wall.(Fig. 10)

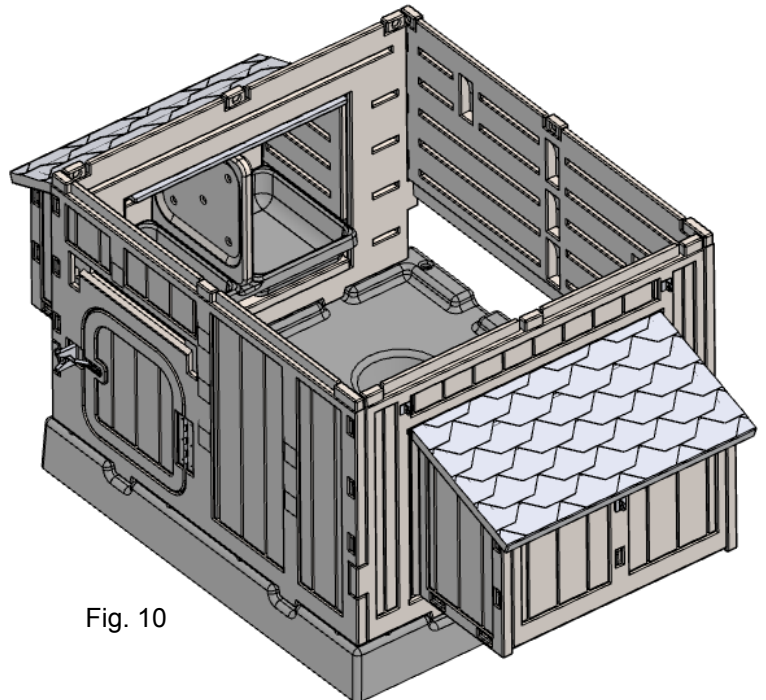


Fig. 10

Awning Assembly

Step 11: Assemble the Awning to the Front Wall. The top of the Awning is the side that has five lines formed in it (Fig. 11a). Fold both ends of the Awning down 90 degrees (Fig. 11b). Insert the Awning into the opening above the door of the Front Wall at an angle (Fig. 11c).

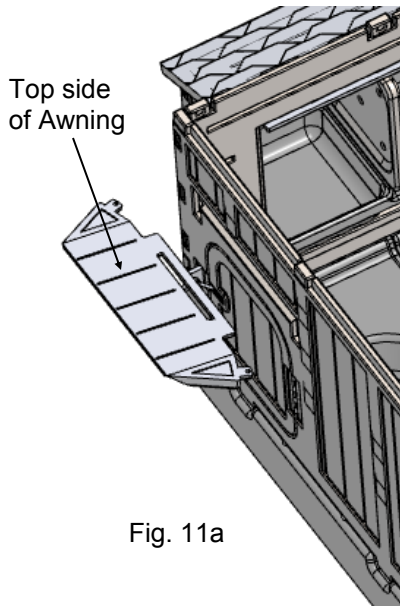


Fig. 11a

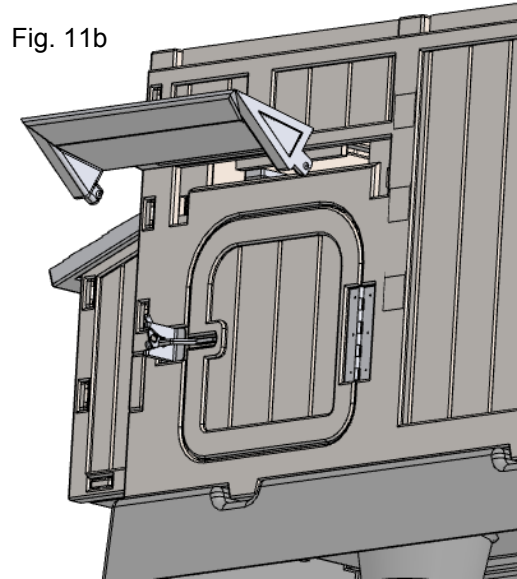


Fig. 11b

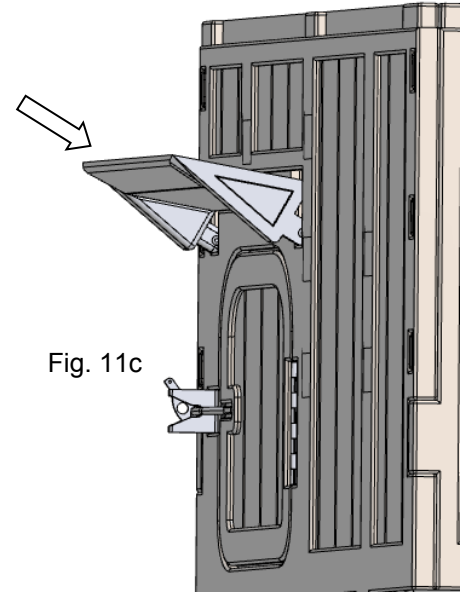


Fig. 11c

Once the slot on the Awning is aligned with the tab on the Front Wall (Fig. 11e), pull up on the Awning until the tab is in the slot (Fig. 11f). Now the tabs on each end of the Awning should align with the two small slots on the Front Wall. Rotate the Awning down, snapping the two side tabs into place. (Fig. 11d)

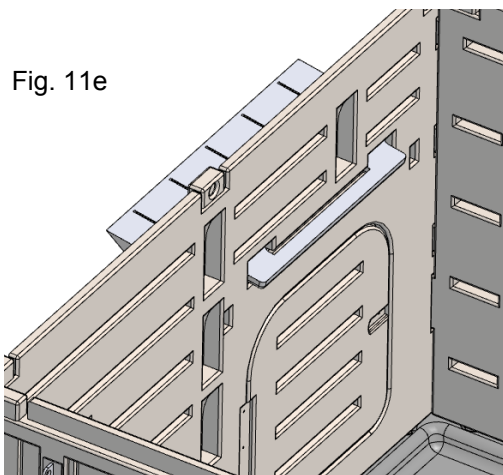


Fig. 11e

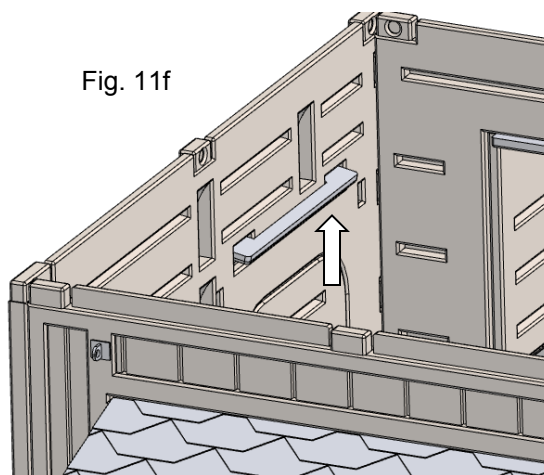


Fig. 11f

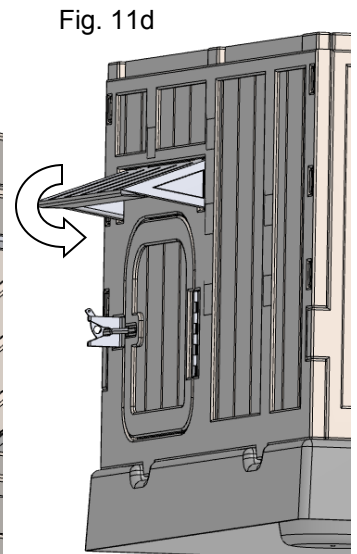


Fig. 11d

Litter Trays, Roosts, & Removable Panel

Step 12: Slide the two Litter Trays into place. (Fig. 12)

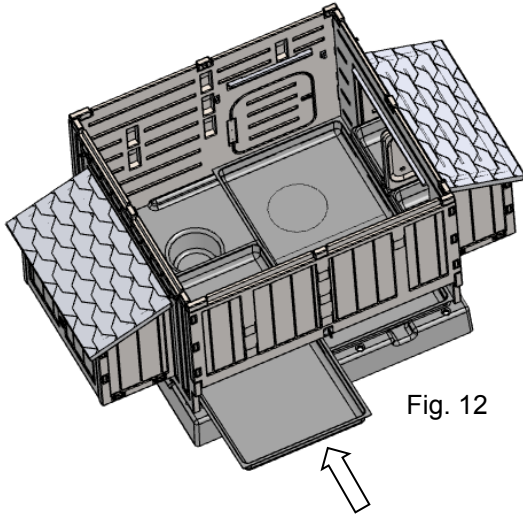


Fig. 12

Note: Screws have been included to secure each end of the roost bars to the end panels. There should be no need in drilling any holes. Just drive the screw from the outside of the wall, through the wall and into the end of the roost. Since the walls are made of High Density Polyethylene, it will seal itself around the screw preventing any leaks.

Step 13: Install the Roosts by seating them into the recesses found in the Front and Back Walls. (Fig. 13) What height and whether or not you want to install all three roosts depends on your situation.

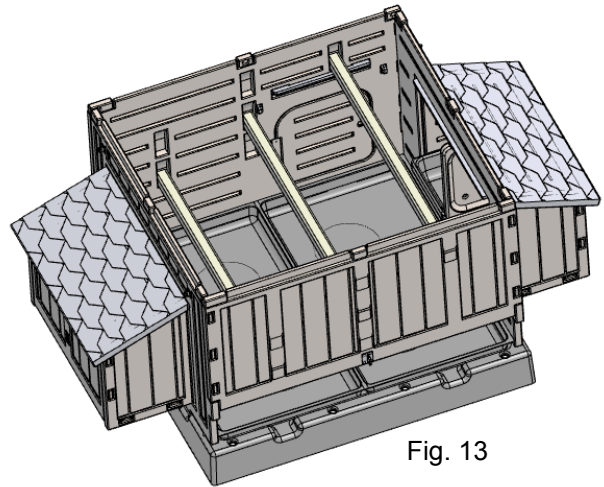


Fig. 13

Step 14: Install the Removable Panel by sliding it up, from underneath the Back Wall (Fig. 14a), until the top of the Removable Panel is to the inside of the bottom of the Back Wall (Fig. 14b). Rotate the Removable Panel until it is vertical and the pegs on the bottom of the Removable Panel are aligned with the holes in the Coop Base (Fig. 14c). Slide the Removable Panel down, inserting the pegs into the holes, and close the hasp over the hasp eye. (Fig. 14d)

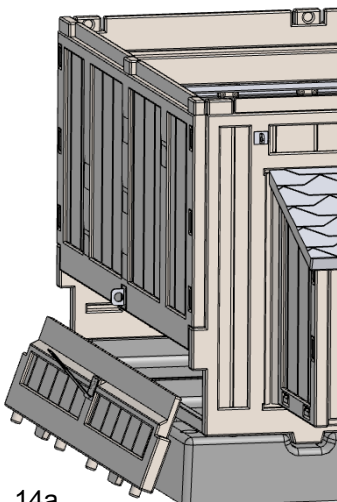


Fig. 14a

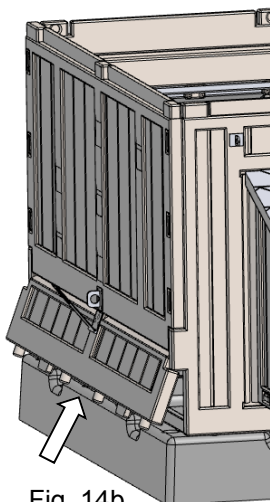


Fig. 14b

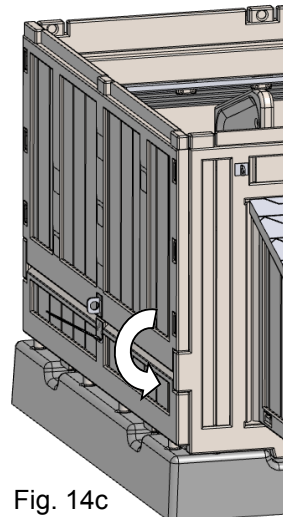


Fig. 14c

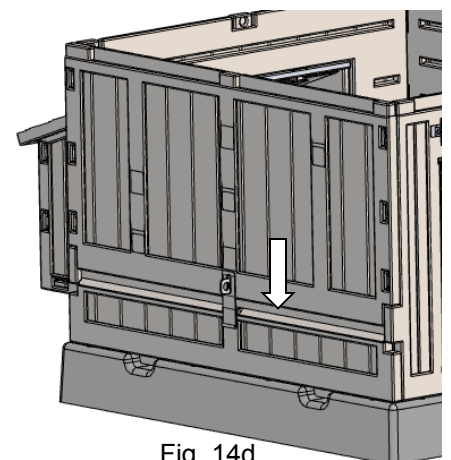
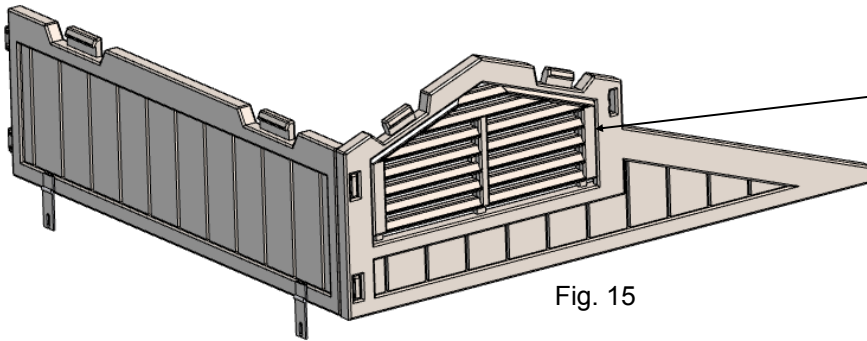


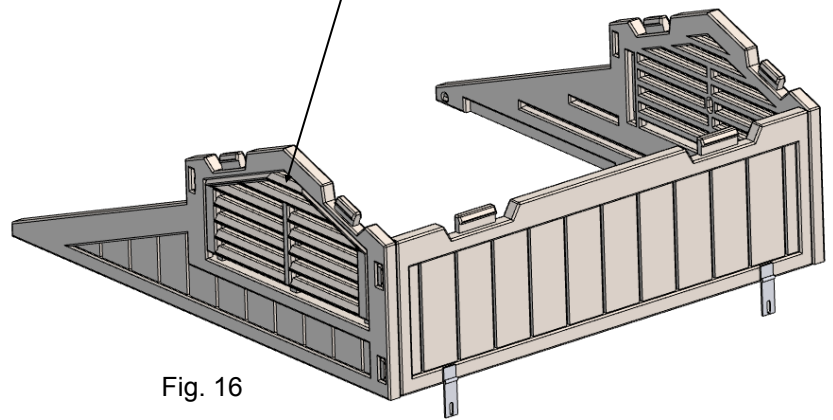
Fig. 14d

Roof Assembly

Step 15: Assemble the Front Gable and the Upper Side Wall by inserting the tabs of the Upper Side Wall into the slots of the Front Gable. (Fig. 15)

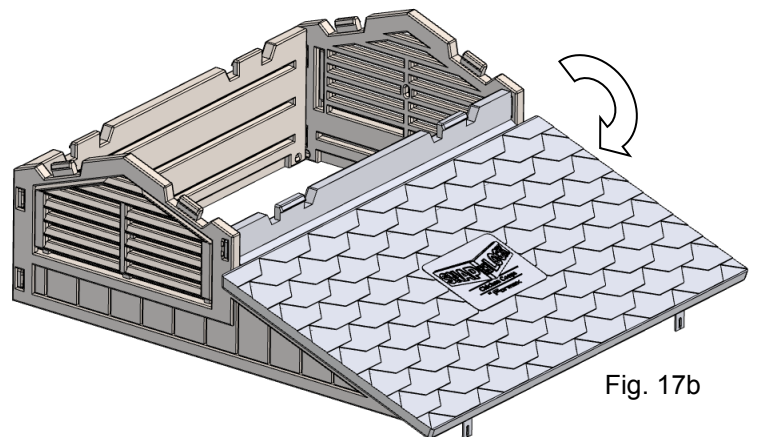
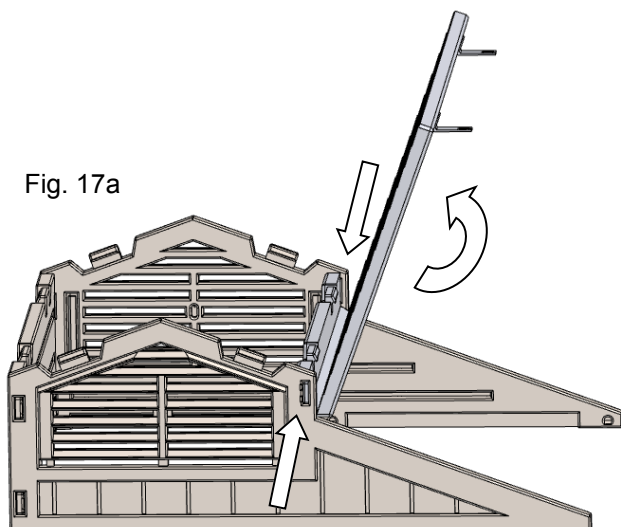


Adjustable vent covers are pre-mounted to the outside of the Gables.



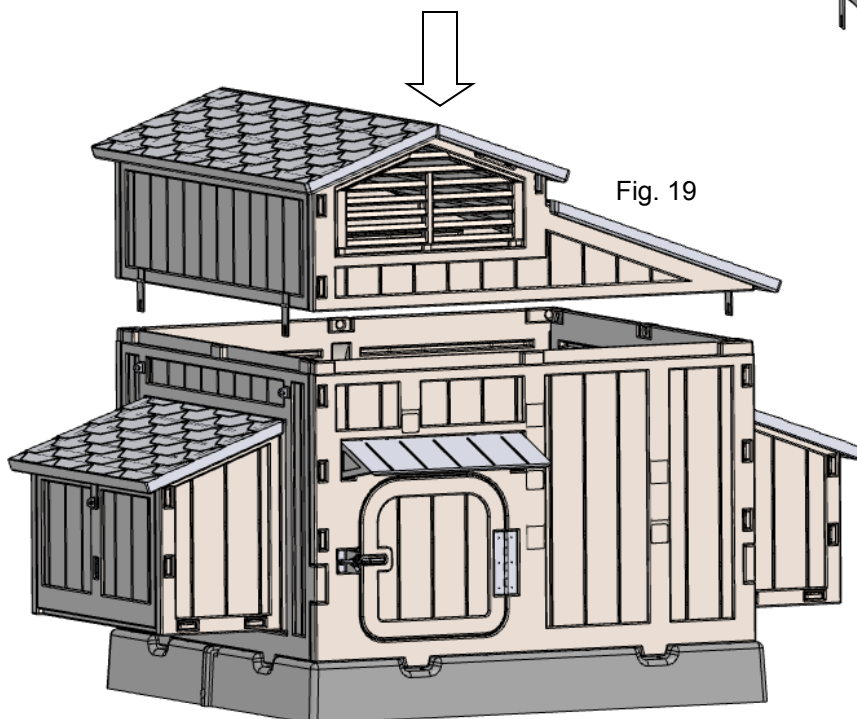
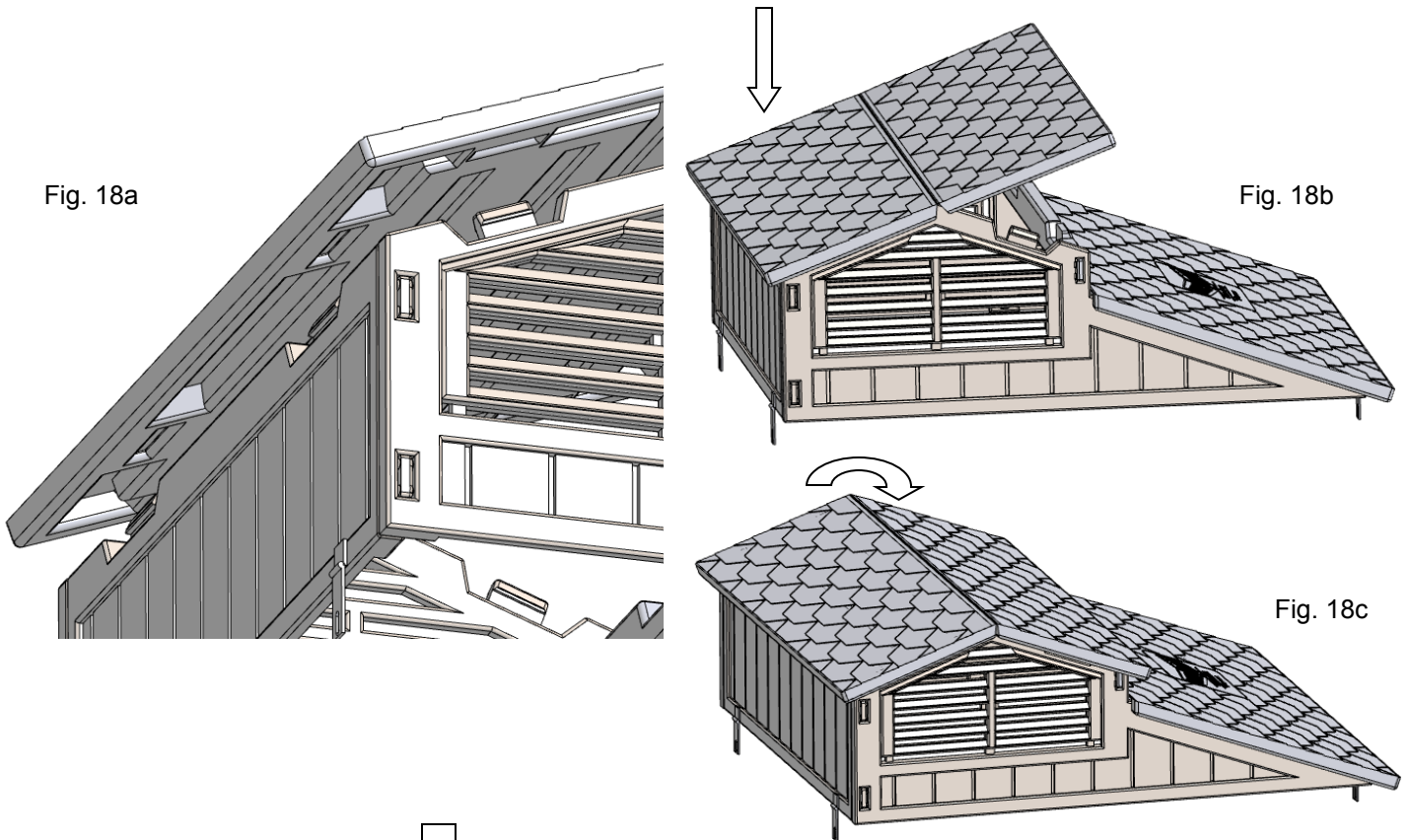
Step 16: Assemble the Back Gable and the Upper Side Wall by inserting the tabs of the Upper Side Wall into the slots of the Back Gable. (Fig. 15)

Step 17: Assemble the Lid Roof by first folding it up at the hinge point, until it has enough clearance to insert the tab on each end into the slot in the Front Gable and the slot in the Back Gable. (Fig. 17a)



Roof Assembly

Step 18: Align the tabs located on the top of the Front Gable, Upper Side Wall, and Back Gable to the slots located underneath the Hip Roof (Fig. 18a). First press down on one side of the Hip Roof until all the tabs are snapped in (Fig. 18b), and then press down on the other side of the Hip Roof, folding it down, until the rest of the tabs are snapped in. (Fig. 18c)

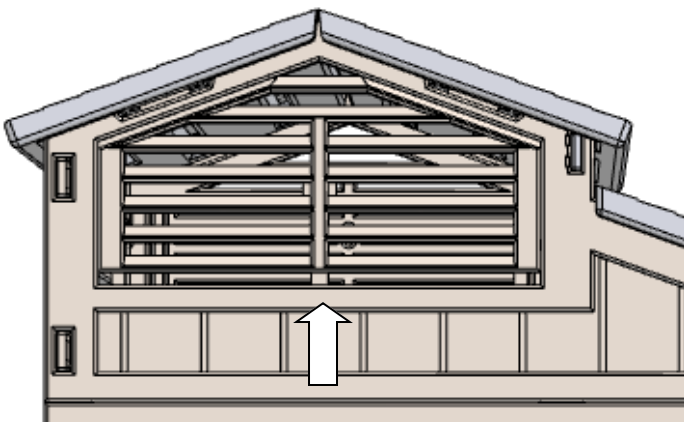


Step 19: Align the Roof Assembly with the peak of the Front Gable over the door of the Front Wall (Fig. 19). Then the entire Roof Assembly can be snapped down to the rest of the coop. All though you will have easy access to the inside of the coop by simply lifting the Lid Roof, you will also be able to remove the entire Roof Assembly for greater access.

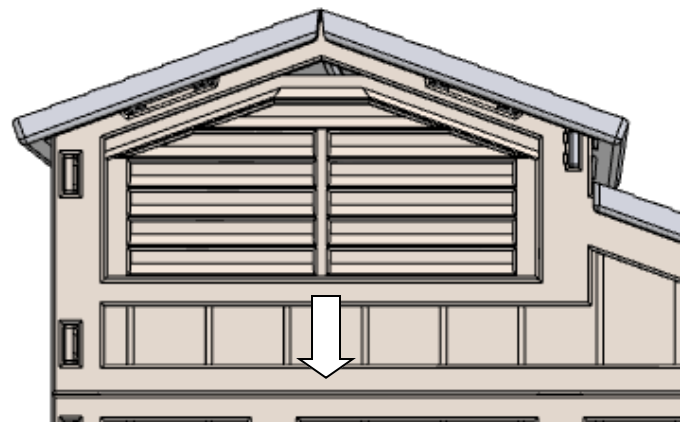
Adjustable Ventilation

Air circulation in the coop can be adjusted by simply lowering or raising the vent cover that has been installed on both the Front Gable and the Back Gable. Raised all the way up provides maximum ventilation and lowered all the way down will provide the maximum protection from draft. It also can be set at increments in-between. When the cover is lowered all the way down, it shuts off most of the openings except for the very top opening. This is to ensure that ammonia, water vapor, and other gases can still be vented even when the vent is closed. It is not recommended for ventilation ever to be completely shut off, even during very cold weather.

FULLY OPEN



FULLY CLOSED



The carabiners provided with this coop can be attached to each hasp and the gravity latch on the front door. This will help secure each entry point from predators.

