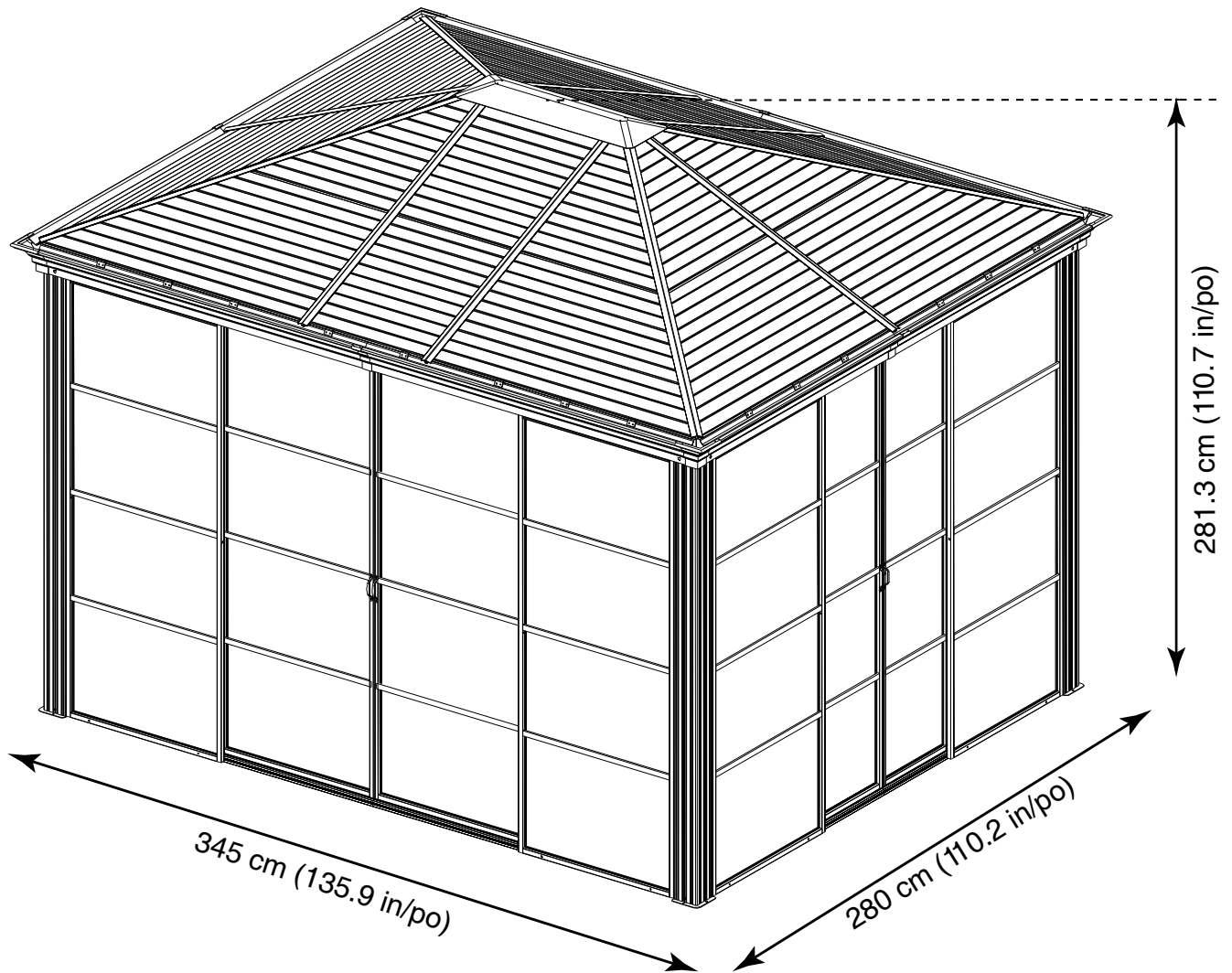


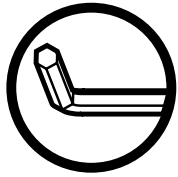
SOJAG

produits saisonniers • seasonal products

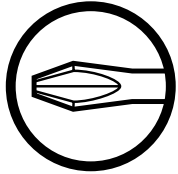
QUESTIONS? 1 866-901-1649

Assembly Manual / Guide d'assemblage / Manual de ensamblaje / 조립설명서 / Montageanleitung





Use the hex keys in the box. / Utilisez les clés hexagonales fournies dans la boîte. / Utilice las llaves hexagonales en la caja. / 상자에 육각 키를 사용 하십시오. / Verwenden Sie die Sechskantschlüssel in der Box.



Please use a Phillips screwdriver. / Utilisez un tournevis de type Phillips / Por favor, use un destornillador Phillips. / 십자 드라이버를 사용 하십시오. / Bitte verwenden Sie einen Kreuzschraubenzieher.



You may need to use a drill for this step. / Vous pouvez avoir besoin d'utiliser une perceuse pour cette étape. / Puede que tenga que utilizar un taladro para este paso. / 이 단계에선 드릴을 사용해야 할 수도 있습니다. / Für diesen Schritt können Sie einen Bohrer verwenden.



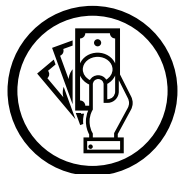
Wearing protective gloves is recommended. / Le port de gants de protection est recommandé / El uso de guantes de protección se recomienda. / 보호 장갑을 착용 하는 것이 좋습니다. / Das Tragen von Schutzhandschuhen wird empfohlen.



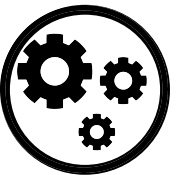
Two or more people are required at this stage. / Deux personnes ou plus sont nécessaires à cette étape. / Dos o más personas se requieren en esta etapa. / 이 단계에서는 두 명 이상 이 필요합니다. / Für diesen Bauschritt sind 2 oder mehr Personen erforderlich.



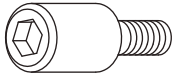



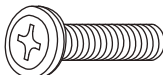
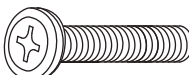

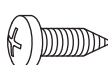

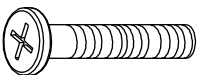
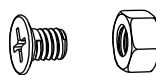


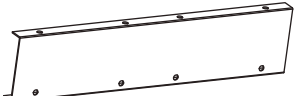

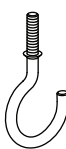
Do not tighten screws all the way for now. / Ne pas visser fermement pour l'instant. / No atornille con firmeza por ahora. / 아직 나사를 단단히 조이지 마십시오. / Bitte die Schrauben zum jetzigen Zeitpunkt noch nicht fest anziehen.

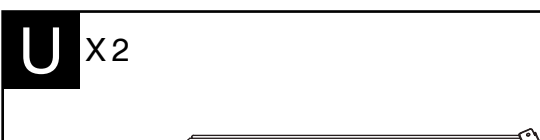
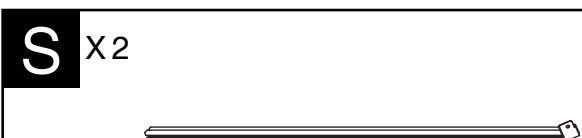
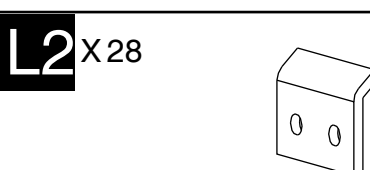
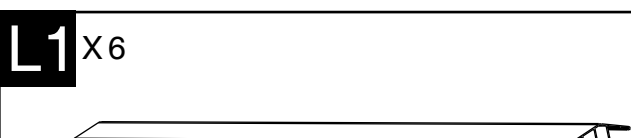
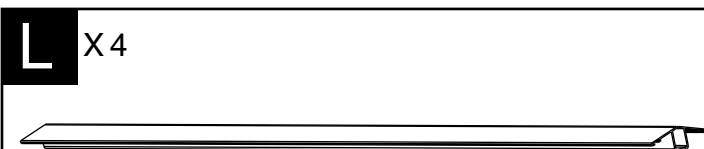
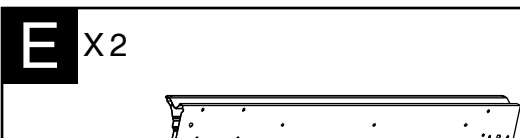
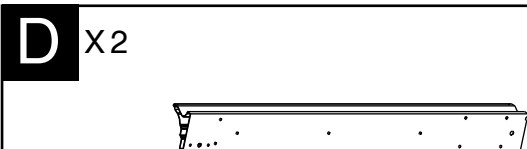
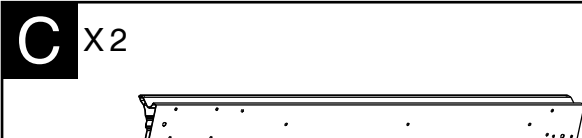


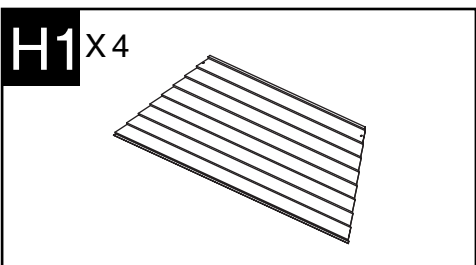
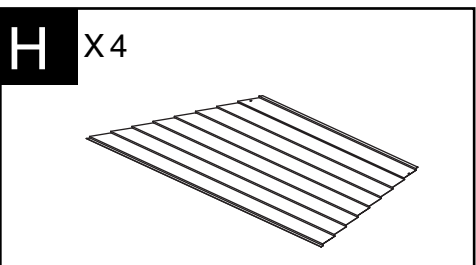
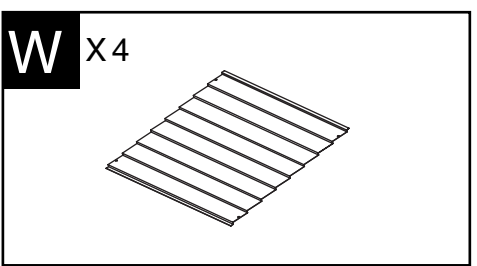
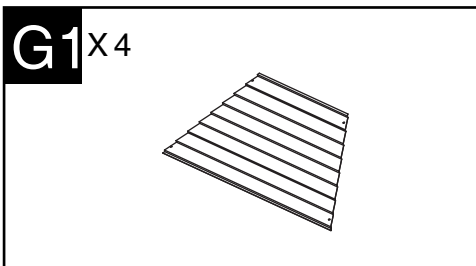
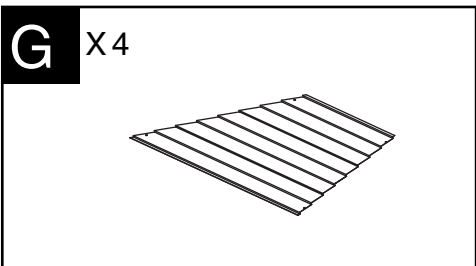
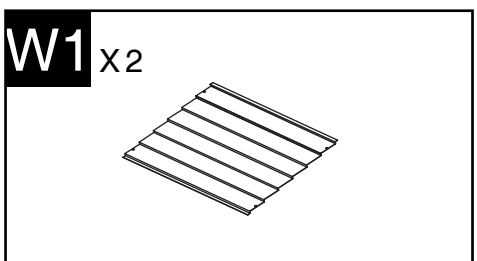
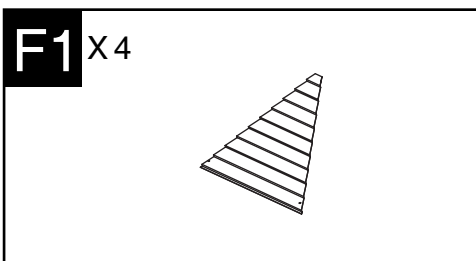
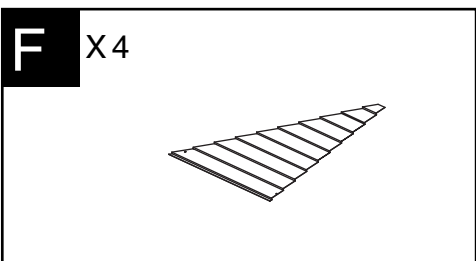
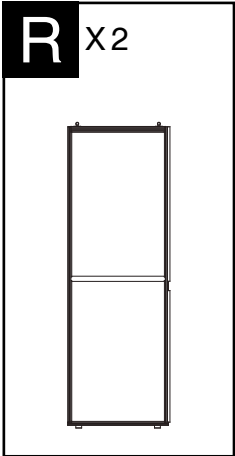
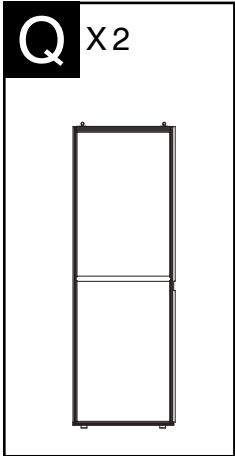
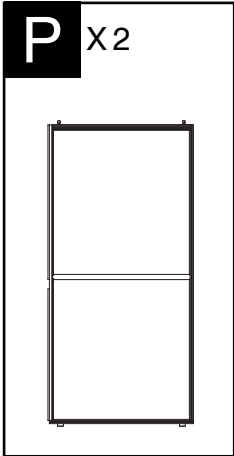
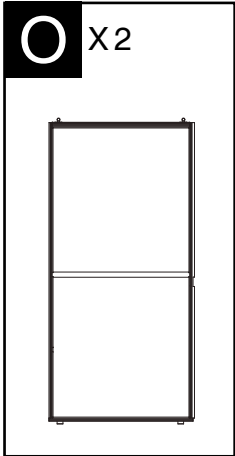
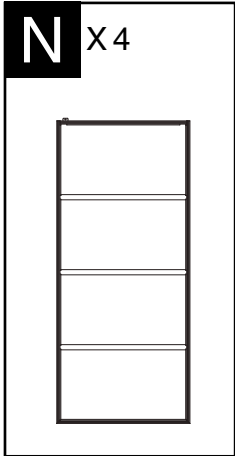
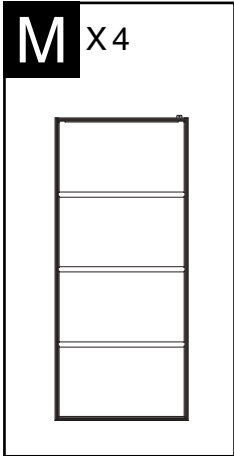
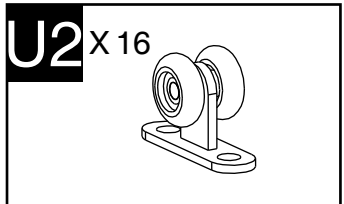
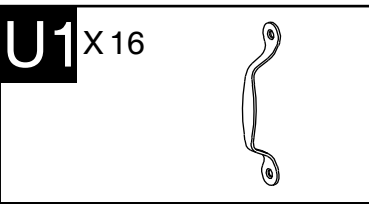
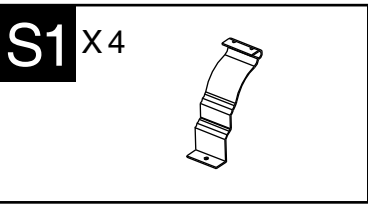
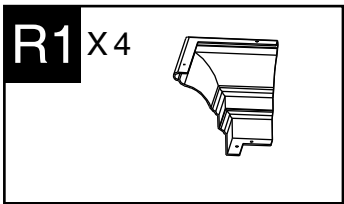
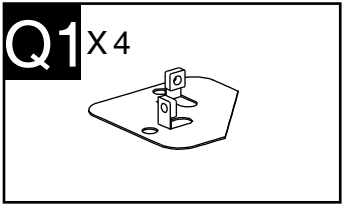
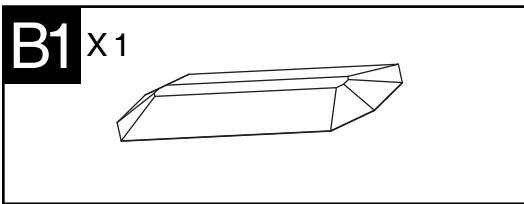
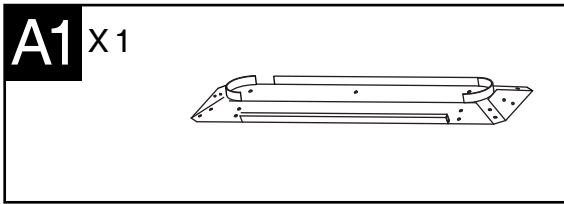
Sold separately. / Vendus séparément. / vendido en las opciones. / 옵션 판매 / Optional erhältlich

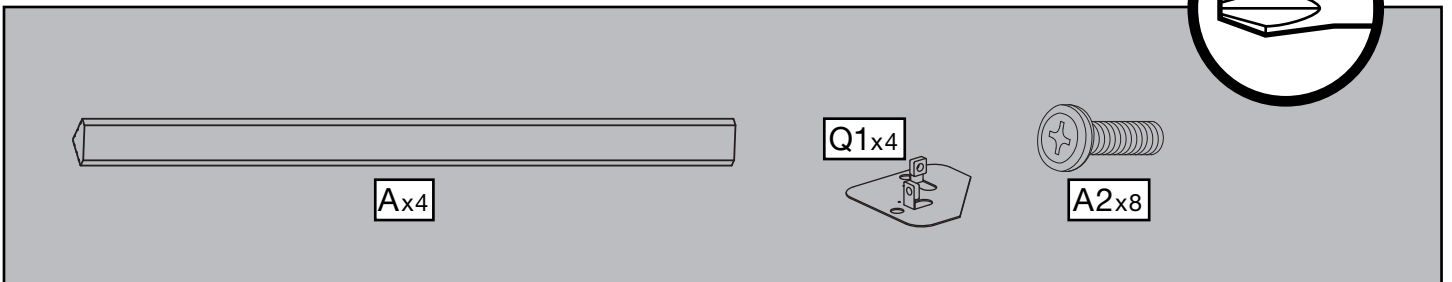
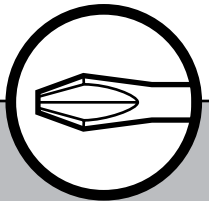
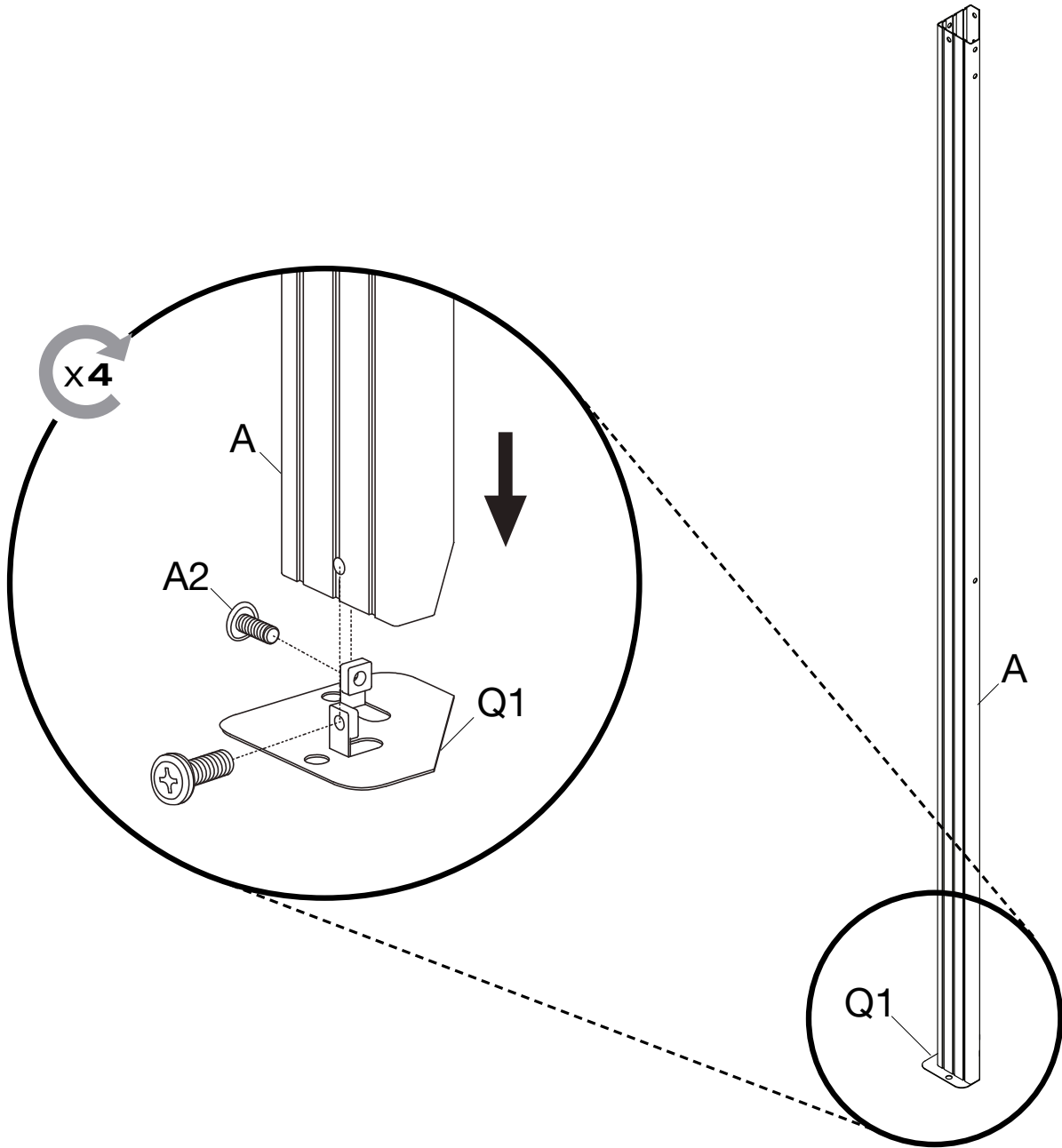


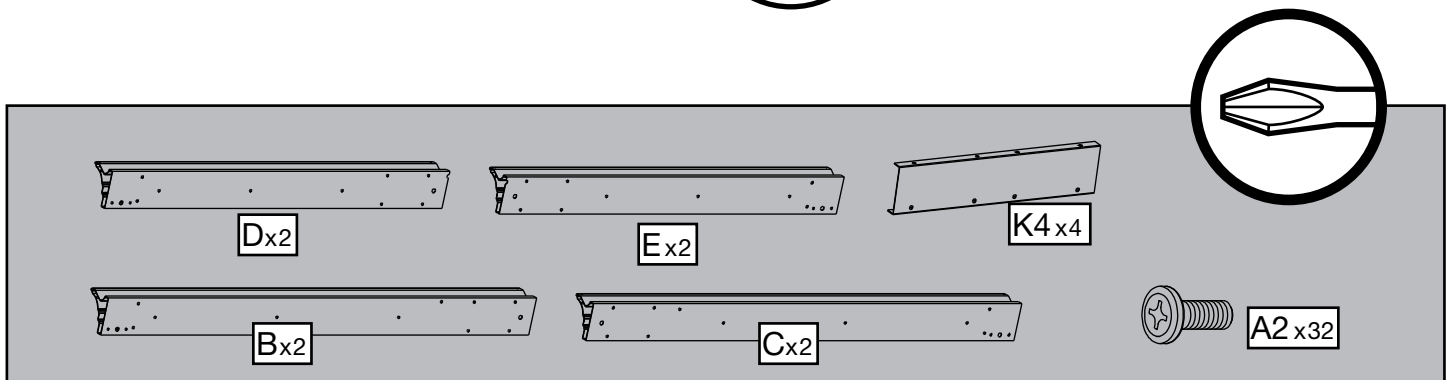
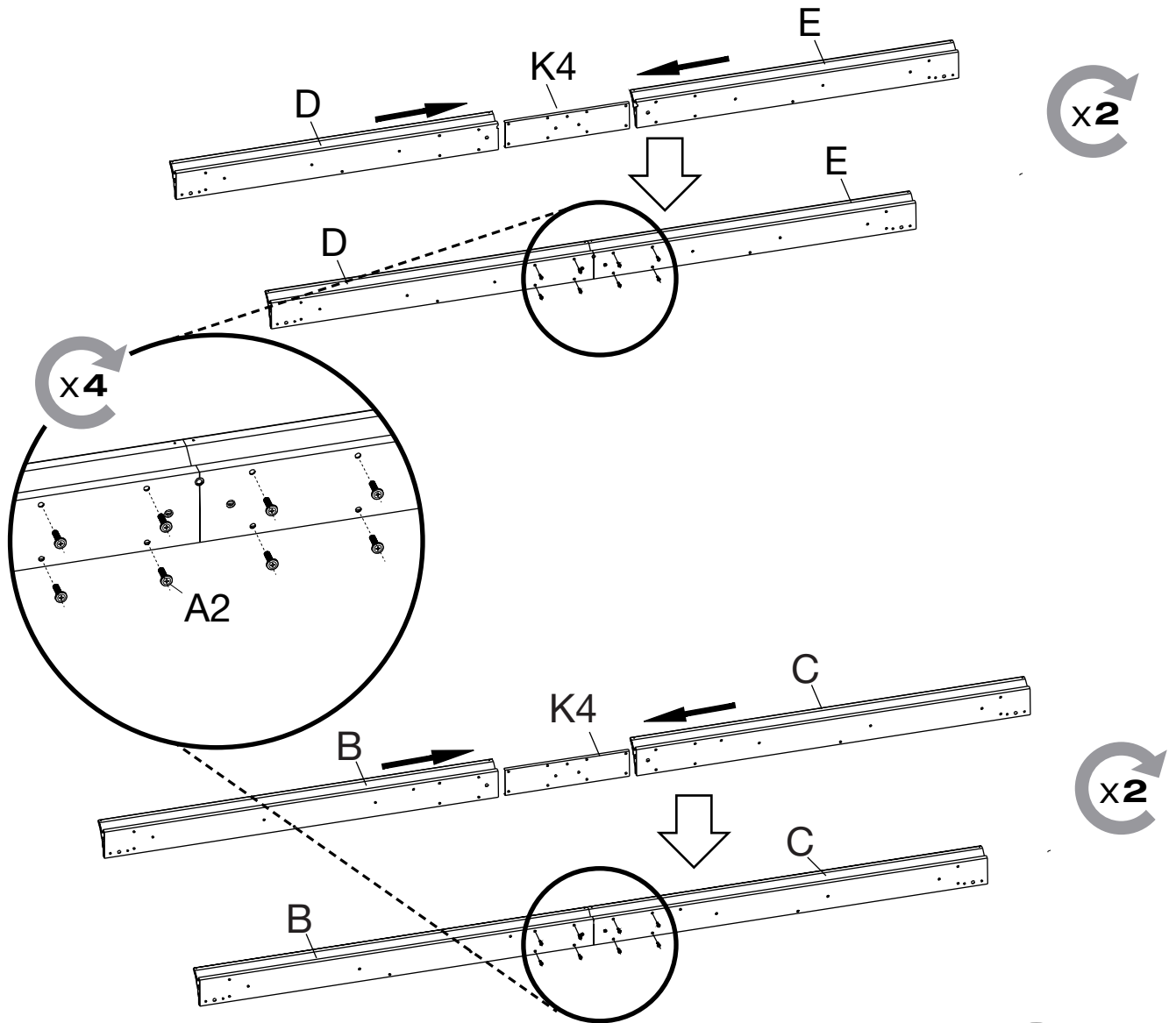
Optional step / Étape optionnelle / Paso opcional / 선택적 단계 / Optionaler Schritt

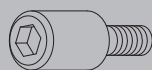
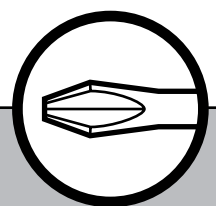
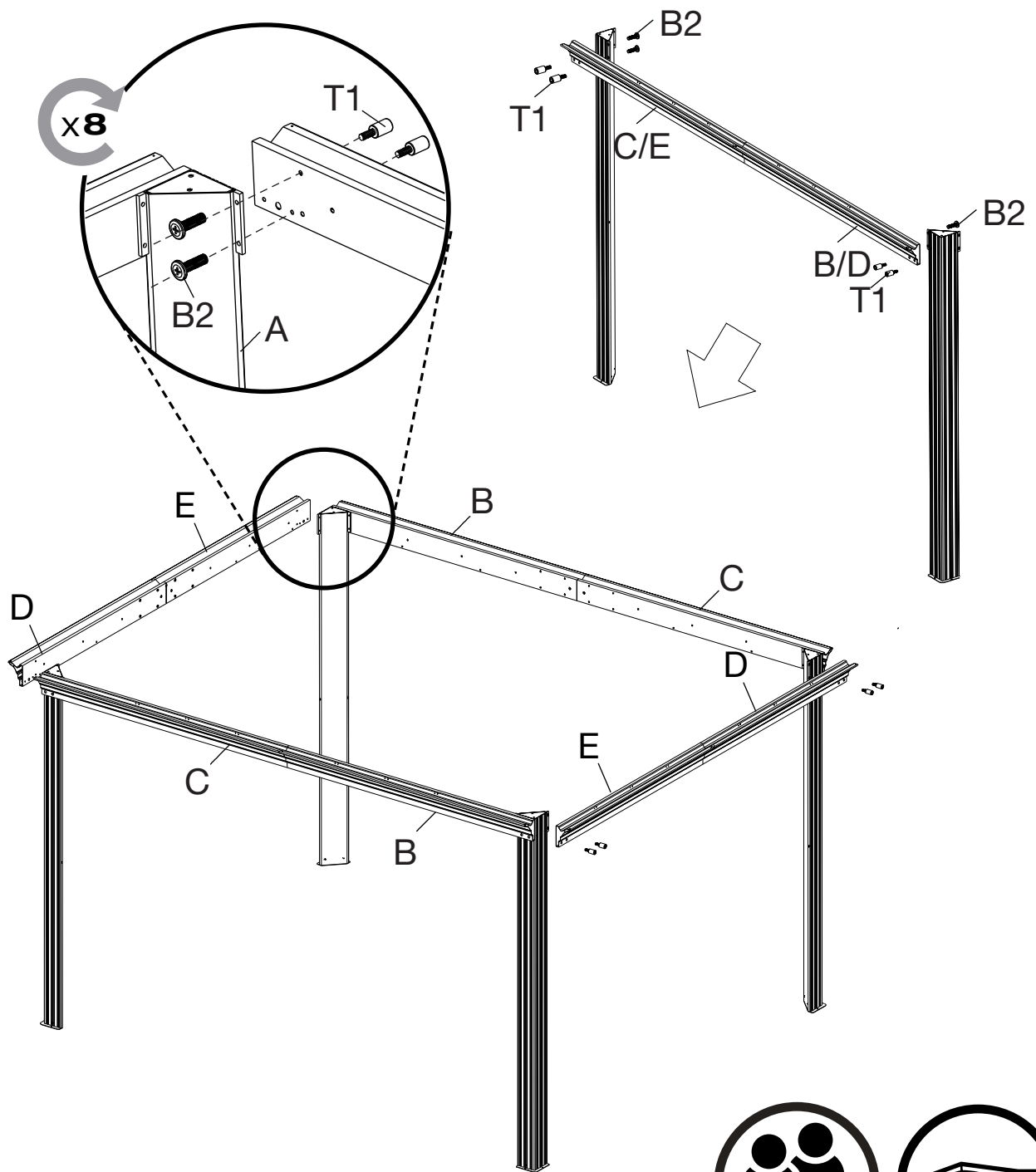
T1 X 16 (+ 2 pcs) 	V1 X 16 (+ 2 pcs) 	
A2 X 182 (+ 10 pcs) 	B2 X 20 (+ 2 pcs) 	
C2 X 16 (+ 2 pcs) 	D2 X 21 (+ 2 pcs) 	
E2 X 32 (+ 3 pcs) 	F2 X 80 (+ 6 pcs) 	H2 X 16 (+ 2 pcs) 
I2 X 44 (+ 4 pcs) 	J2 X 40 (+ 8 pcs) 	K2 X 4 
K3 X 8 	K4 X 4 	
G2 X 1 	Y X 2 	



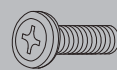




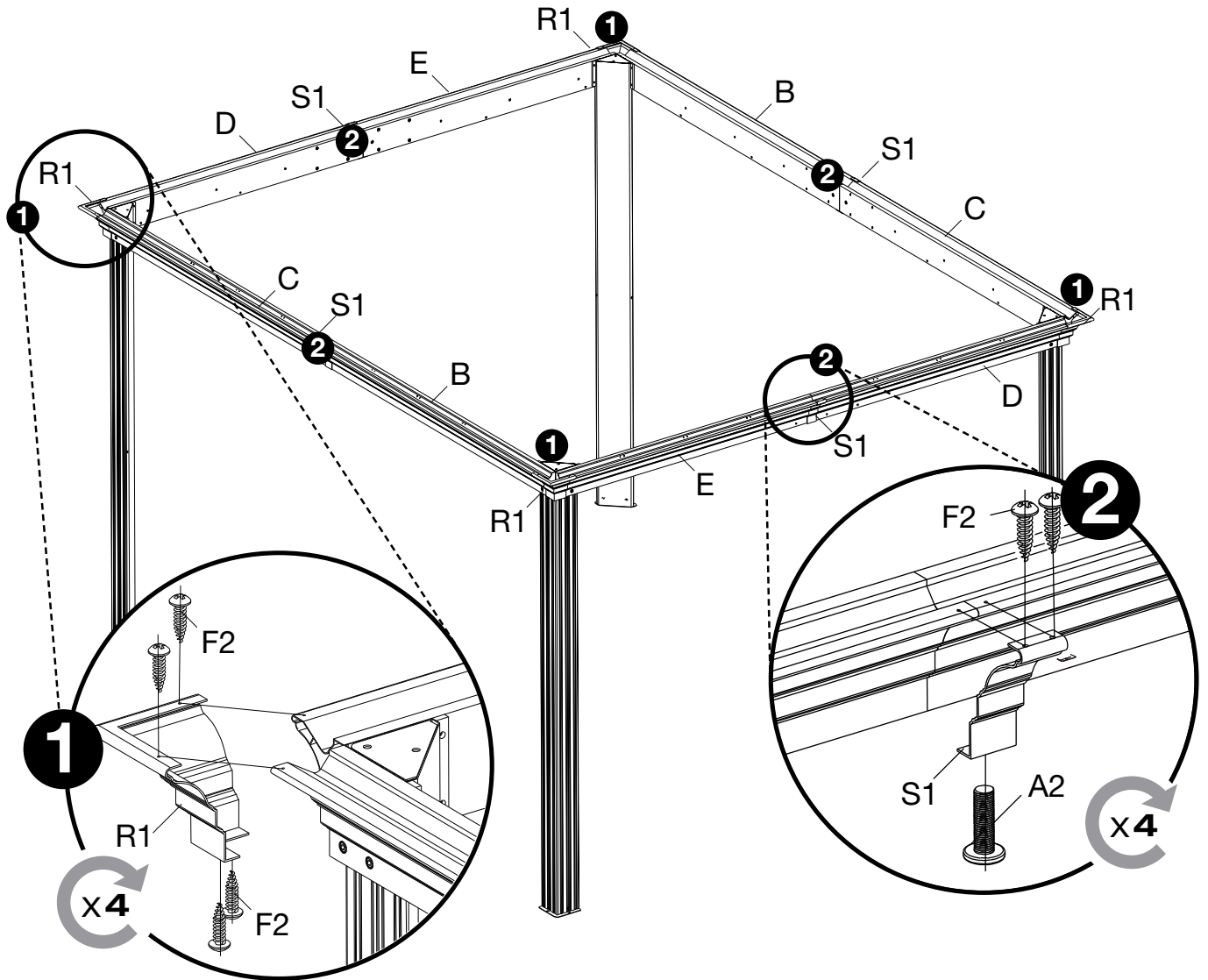




T1x16



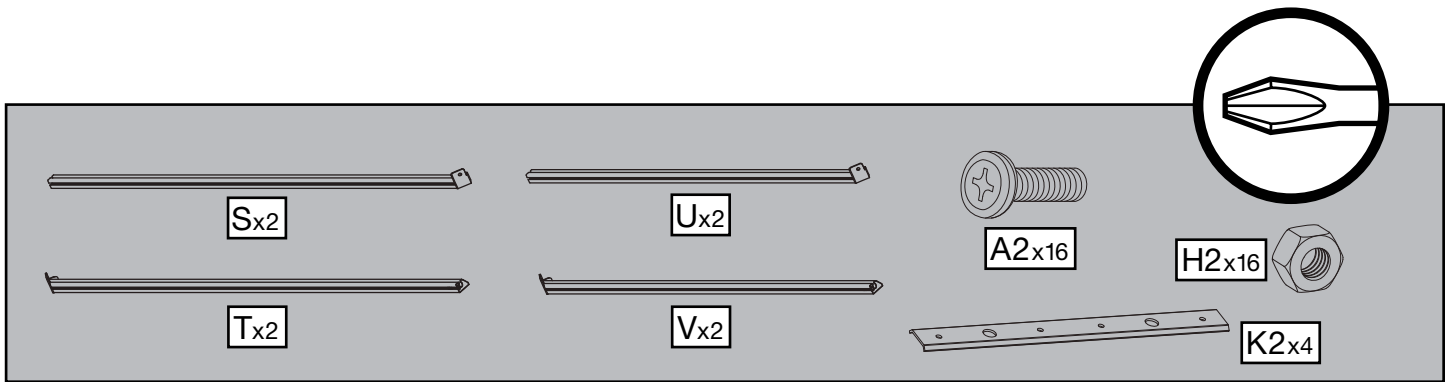
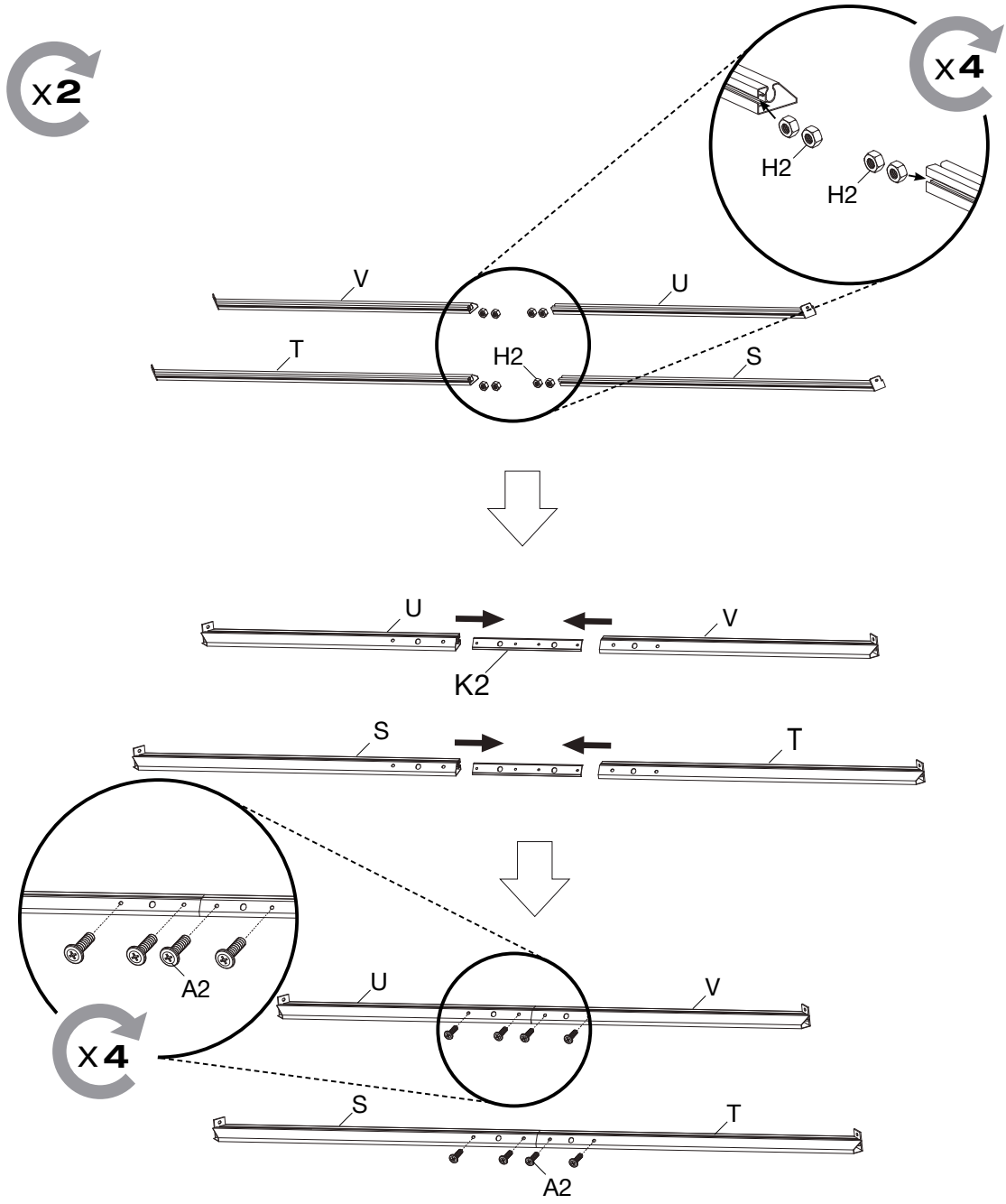
B2x16

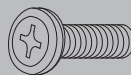
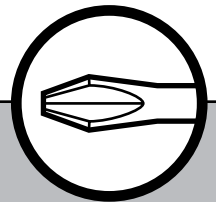
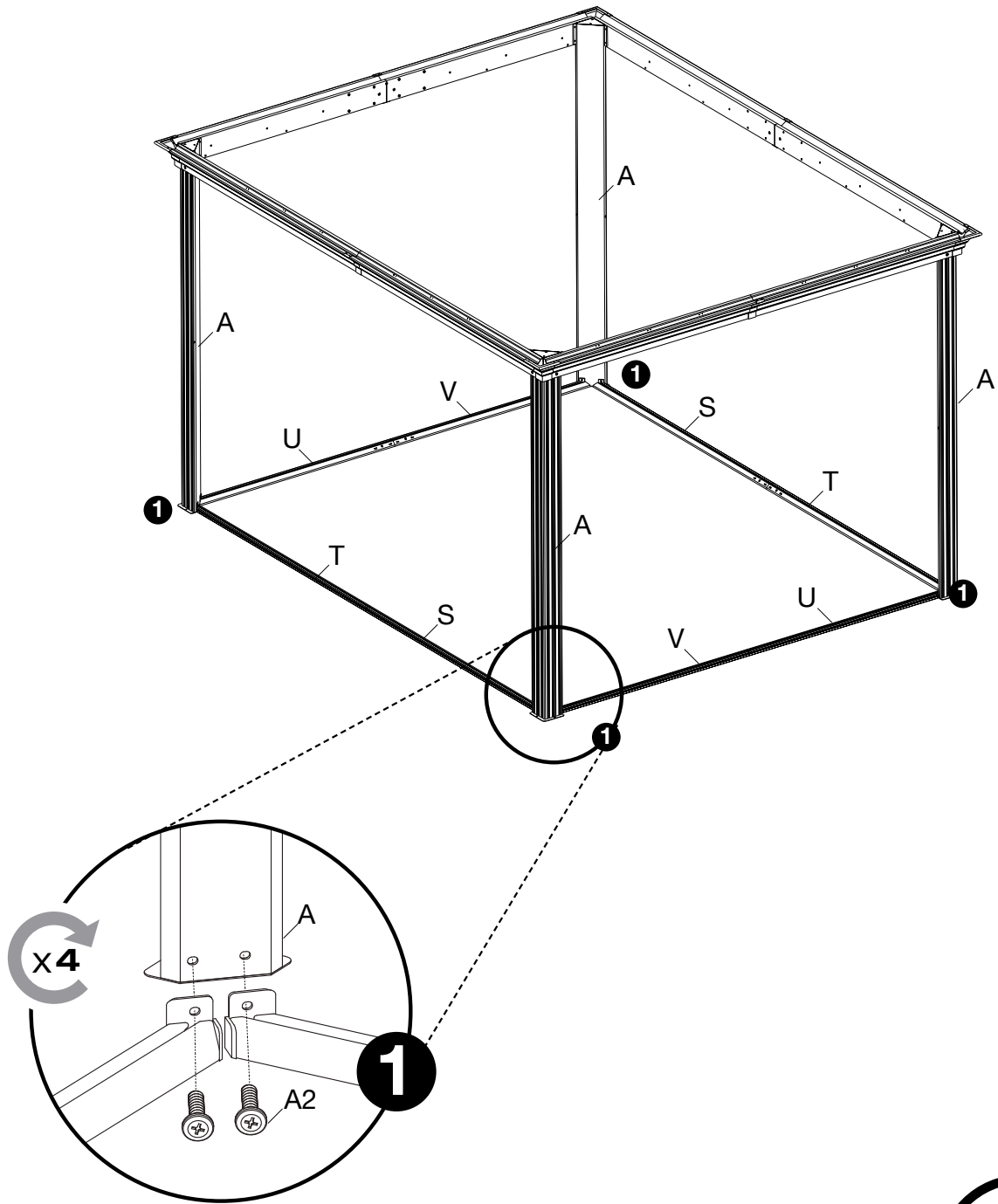


This section contains a parts list and a tool icon. The parts list includes:

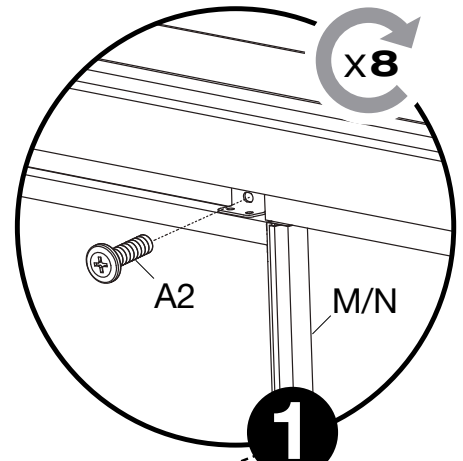
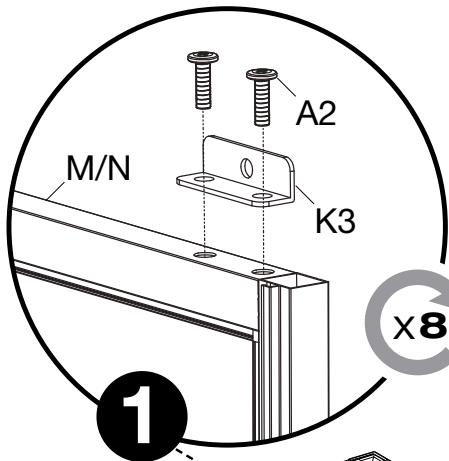
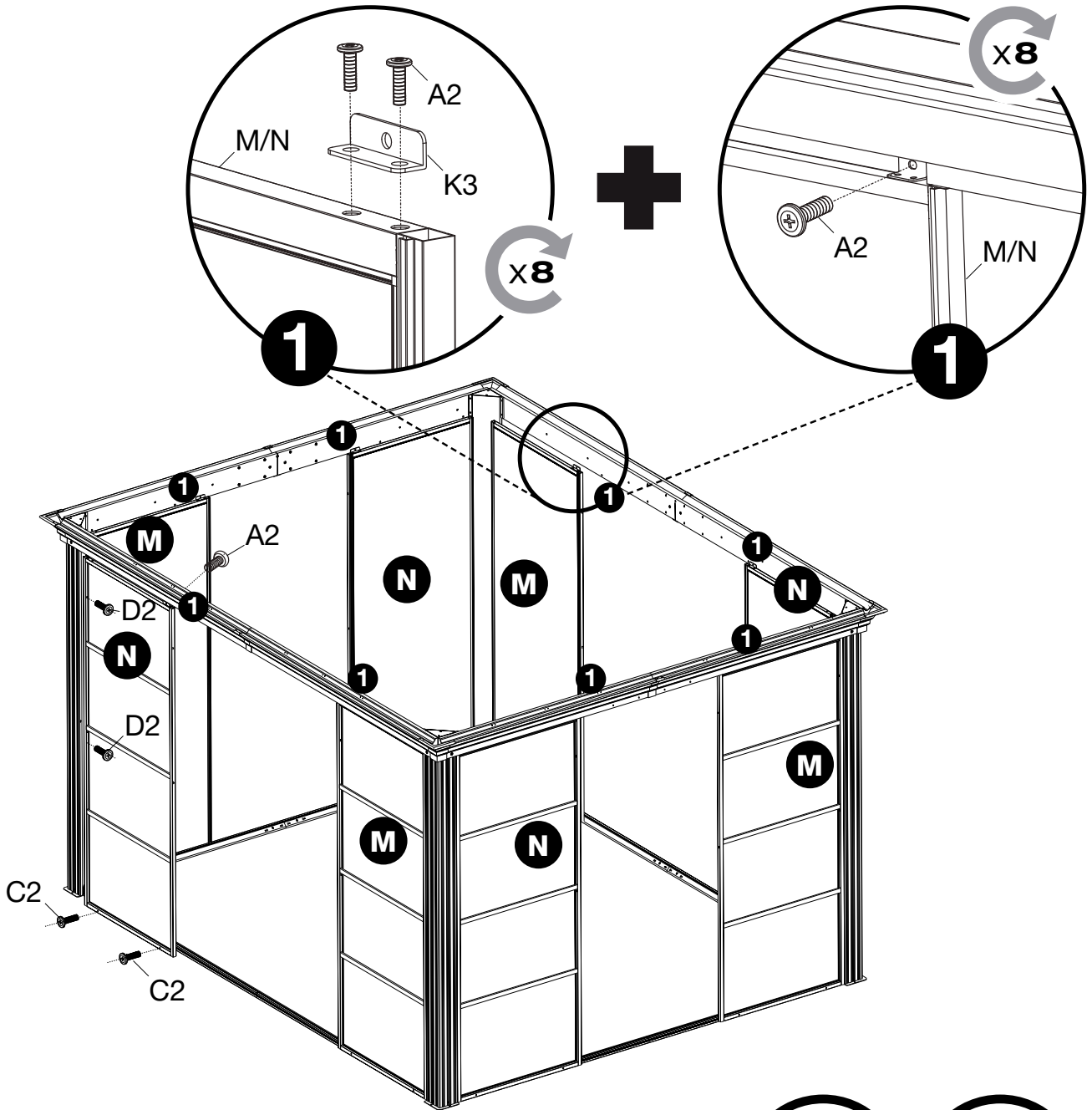
- R1x4: A bracket for securing cross-braces to rails.
- S1x4: A rail component.
- F2x24: Screws used for securing the brackets.
- A2x4: Screws used for securing the brackets.

A circular icon shows a flat-head screwdriver.

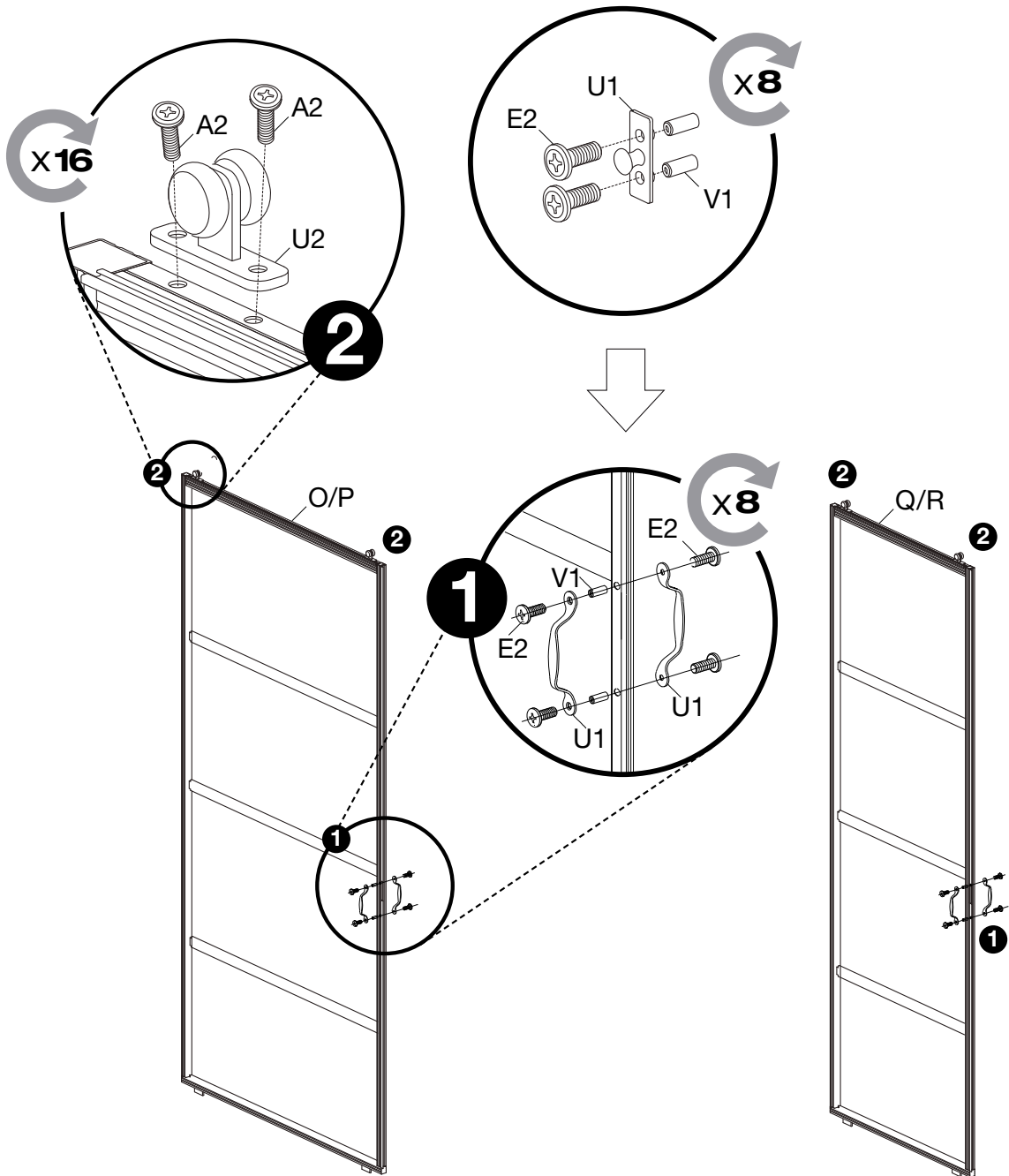




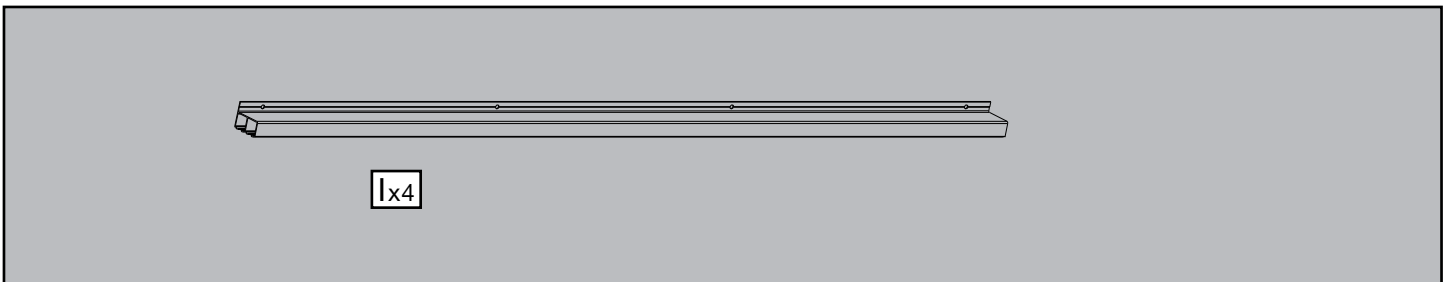
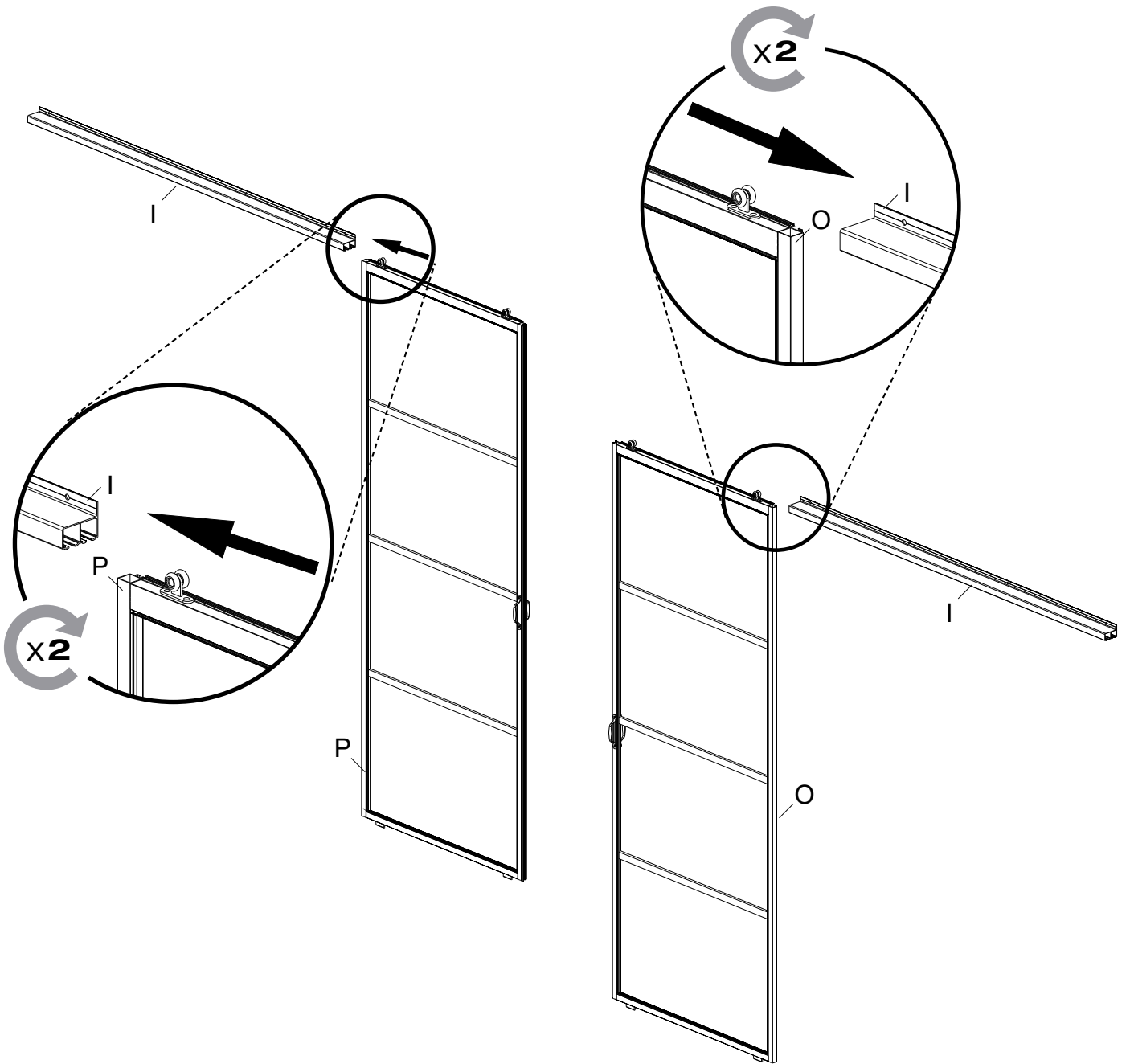
A2x8

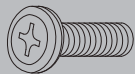
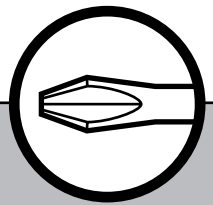
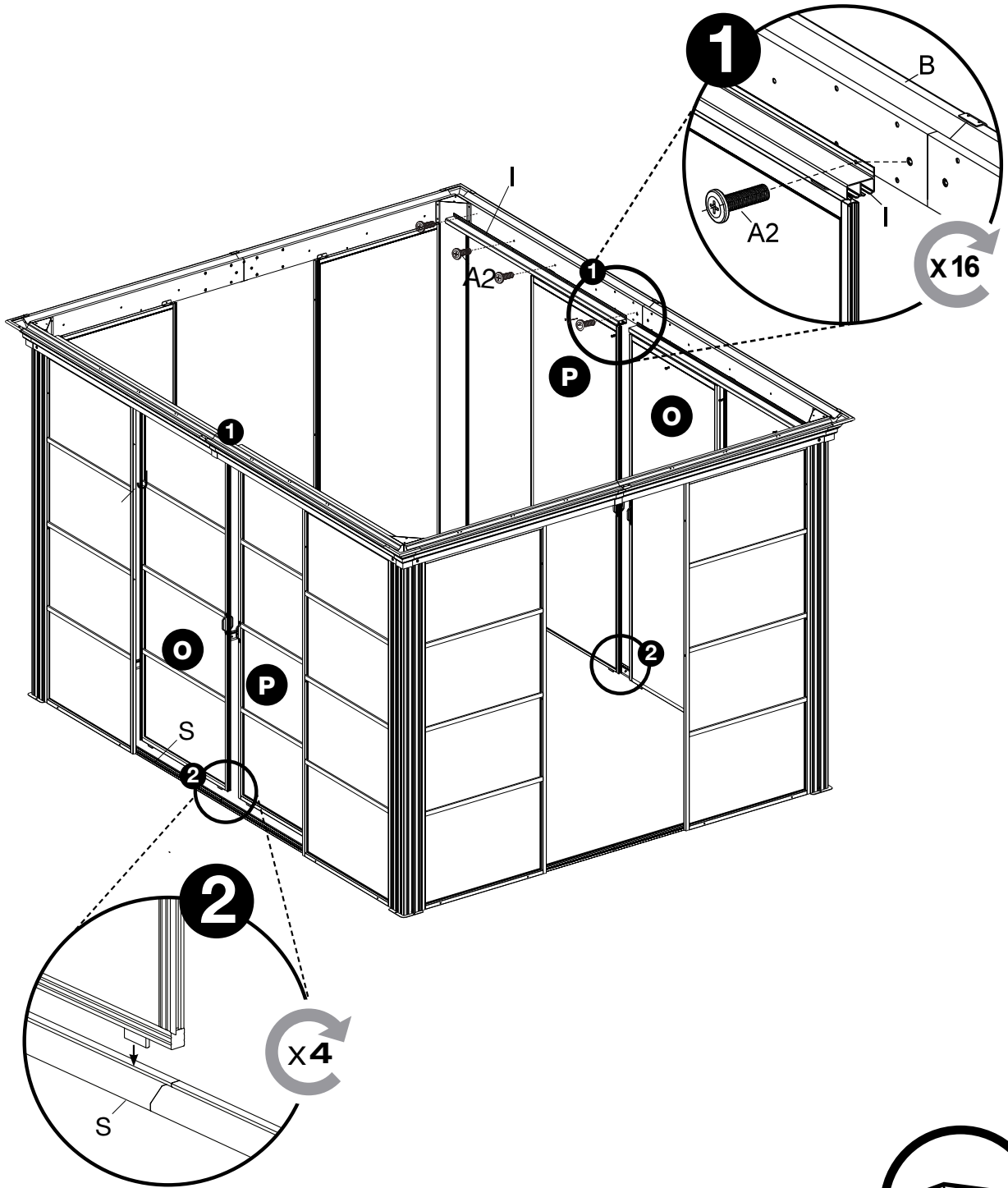


This section contains a parts list and tool icons. On the left, there are two vertical panels labeled Mx4 and Nx4. In the center, there are three screws: A2x24, D2x16, and C2x16. On the right, there is a bracket labeled K3x8. Below the parts list are two circular icons: one showing a power drill and the other showing a pair of pliers.

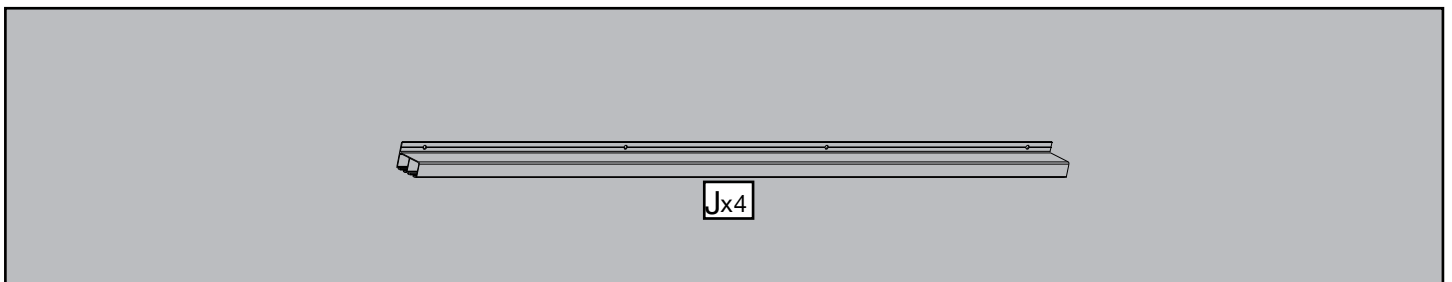
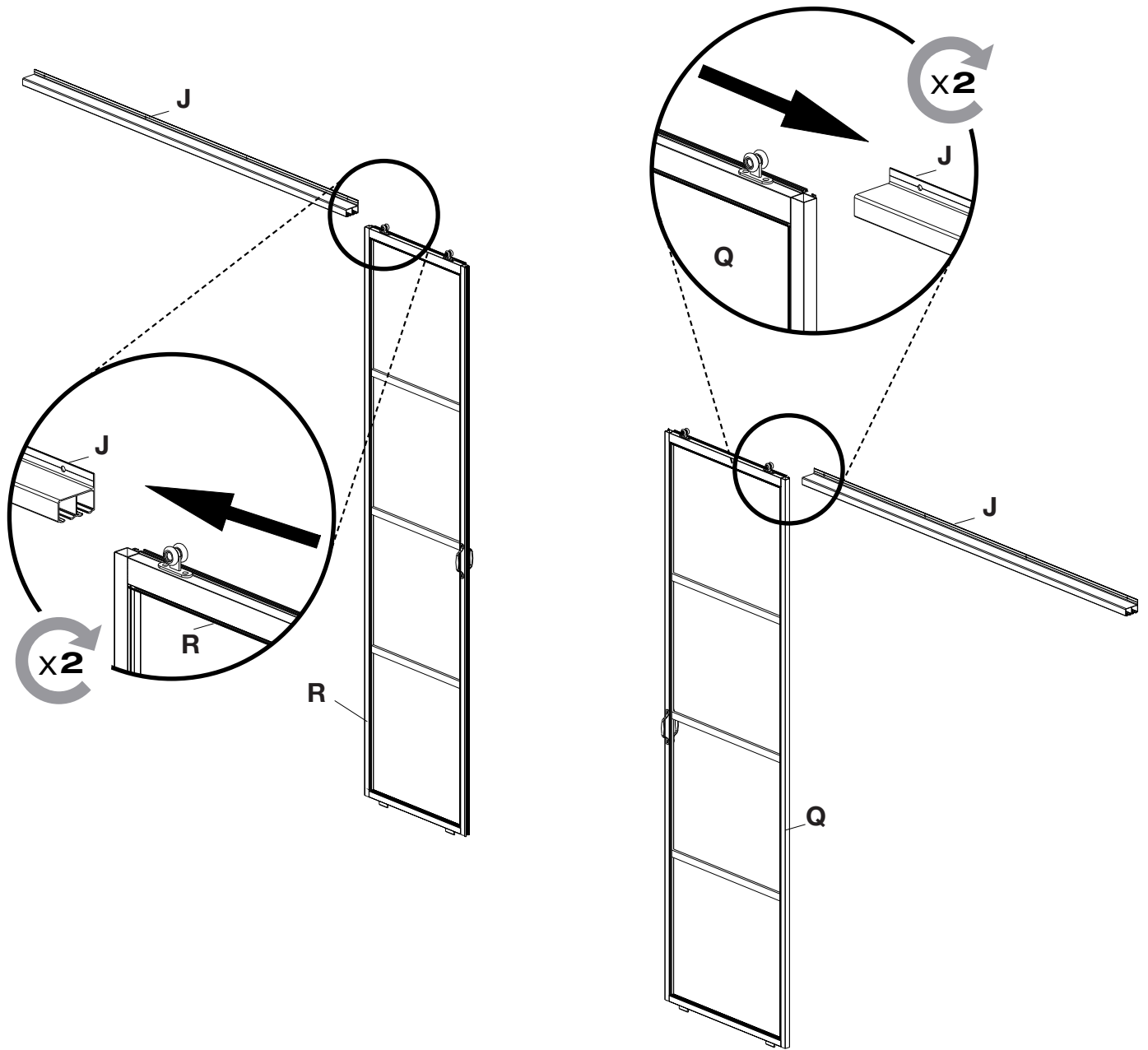


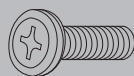
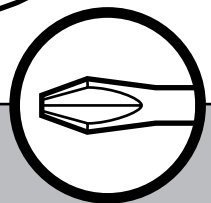
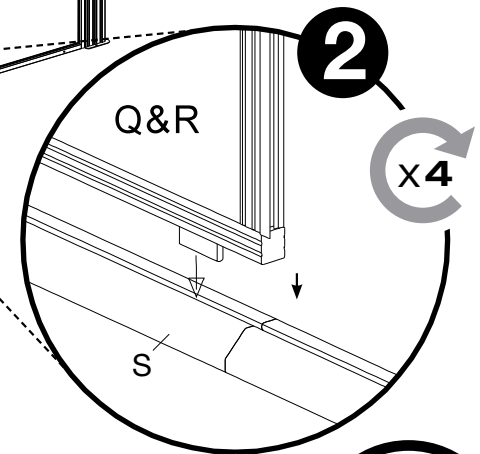
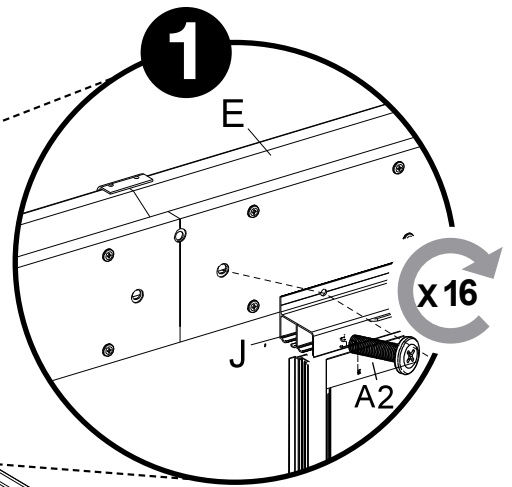
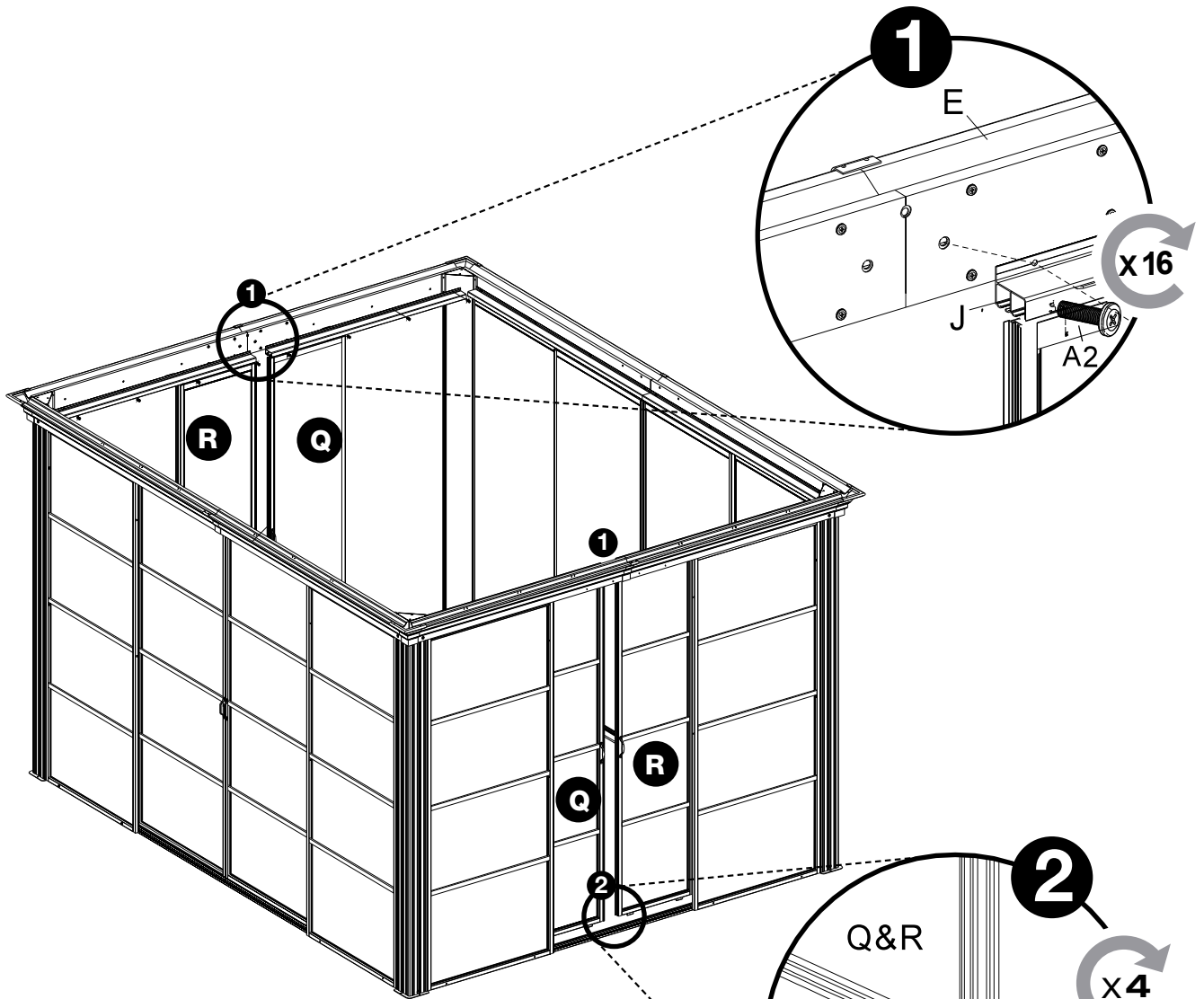
Ox2	Px2	Qx2	Rx2	A2x32	V1x16	U2x16	E2x32	U1x16



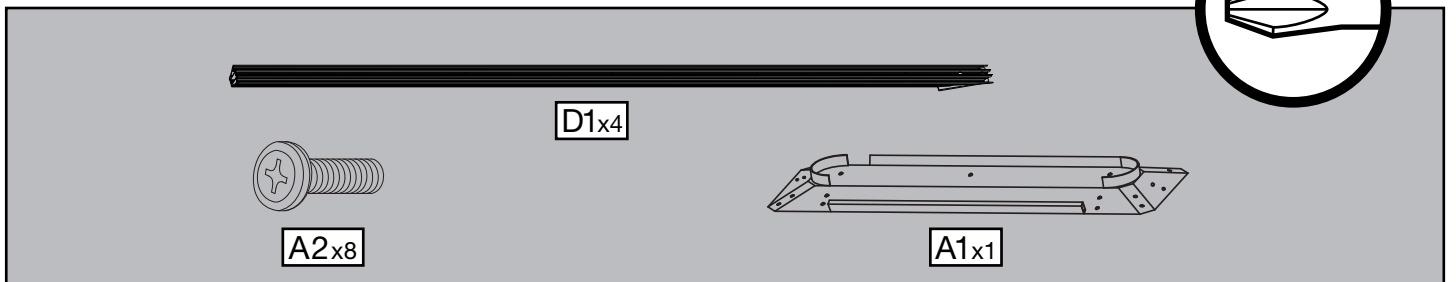
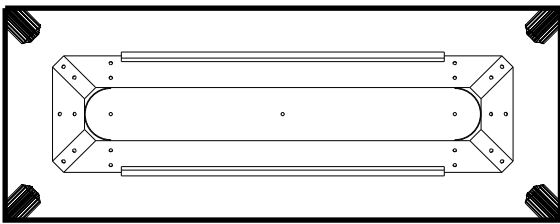
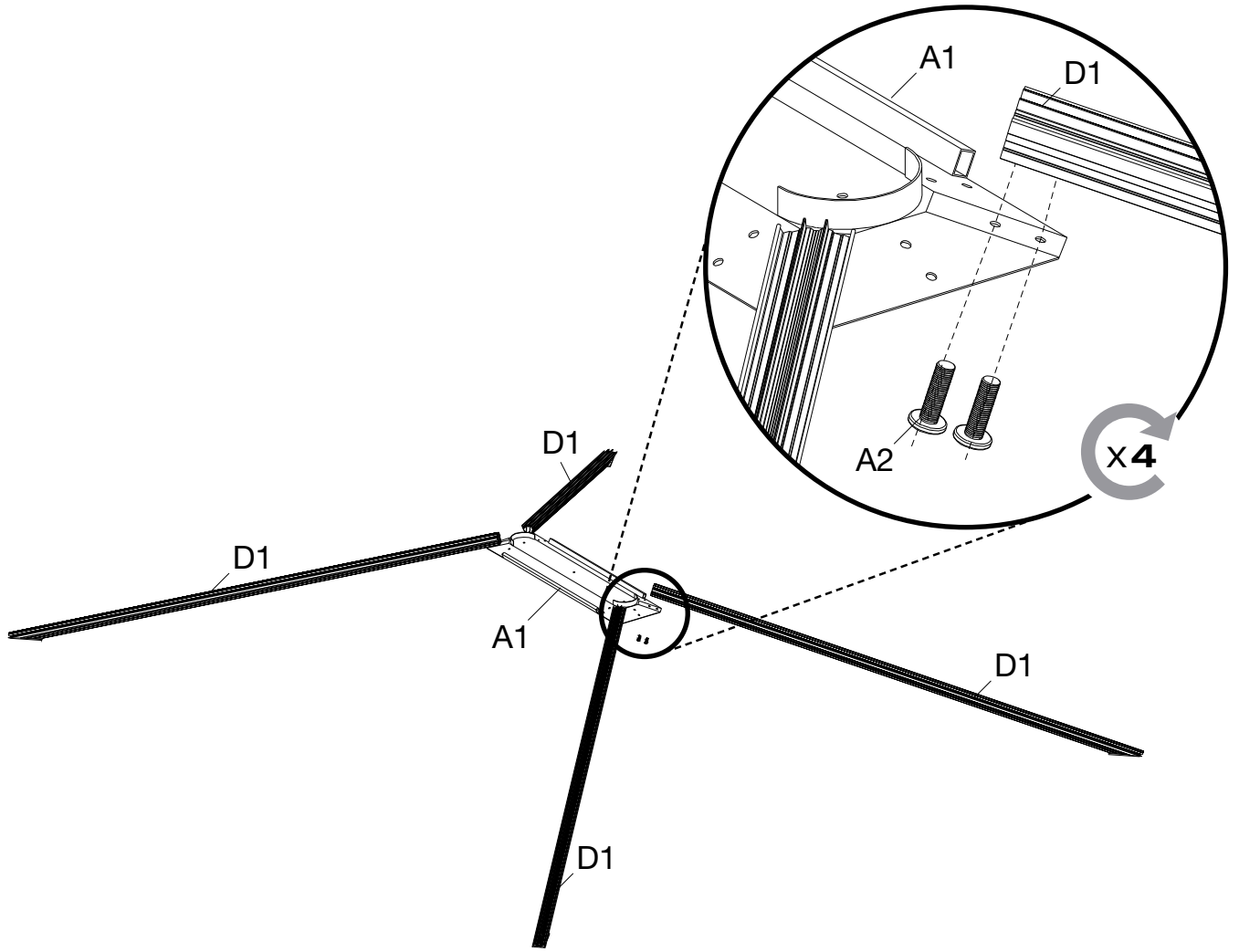


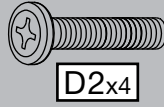
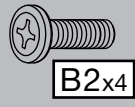
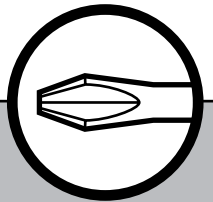
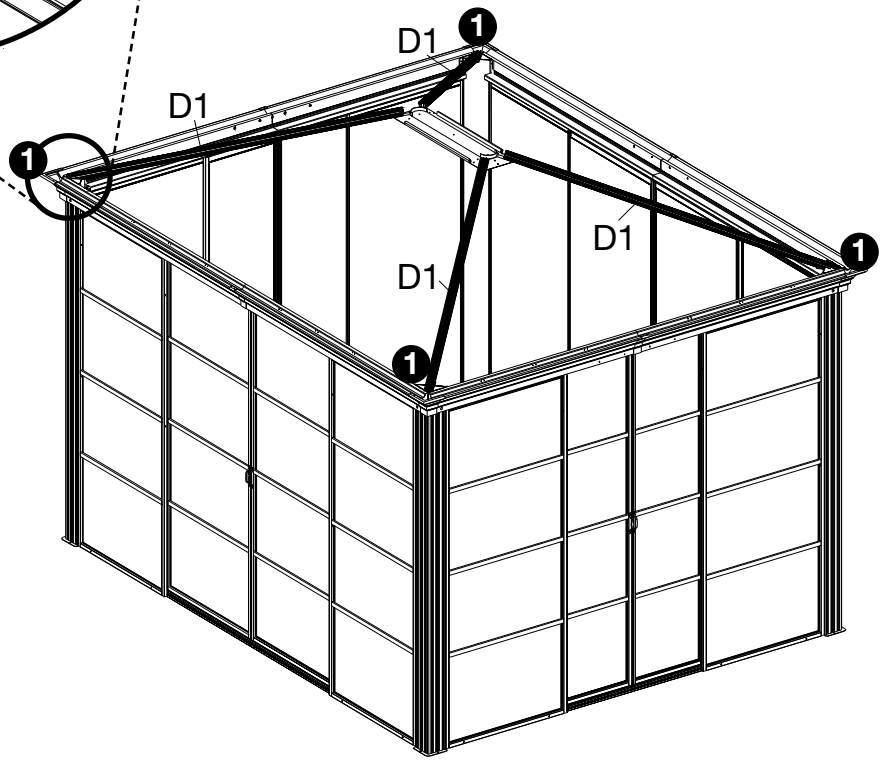
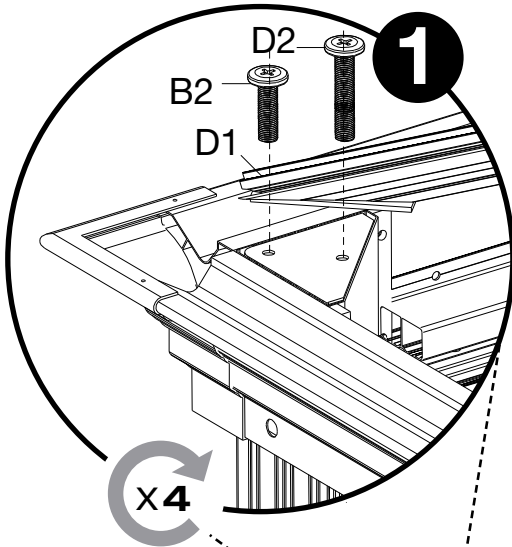
A2x16

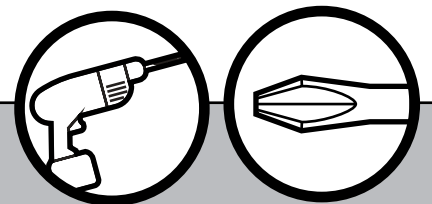
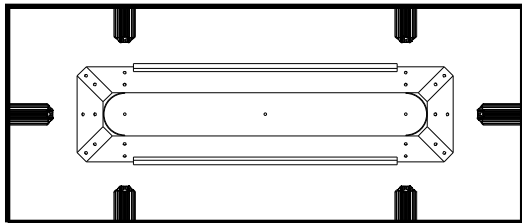
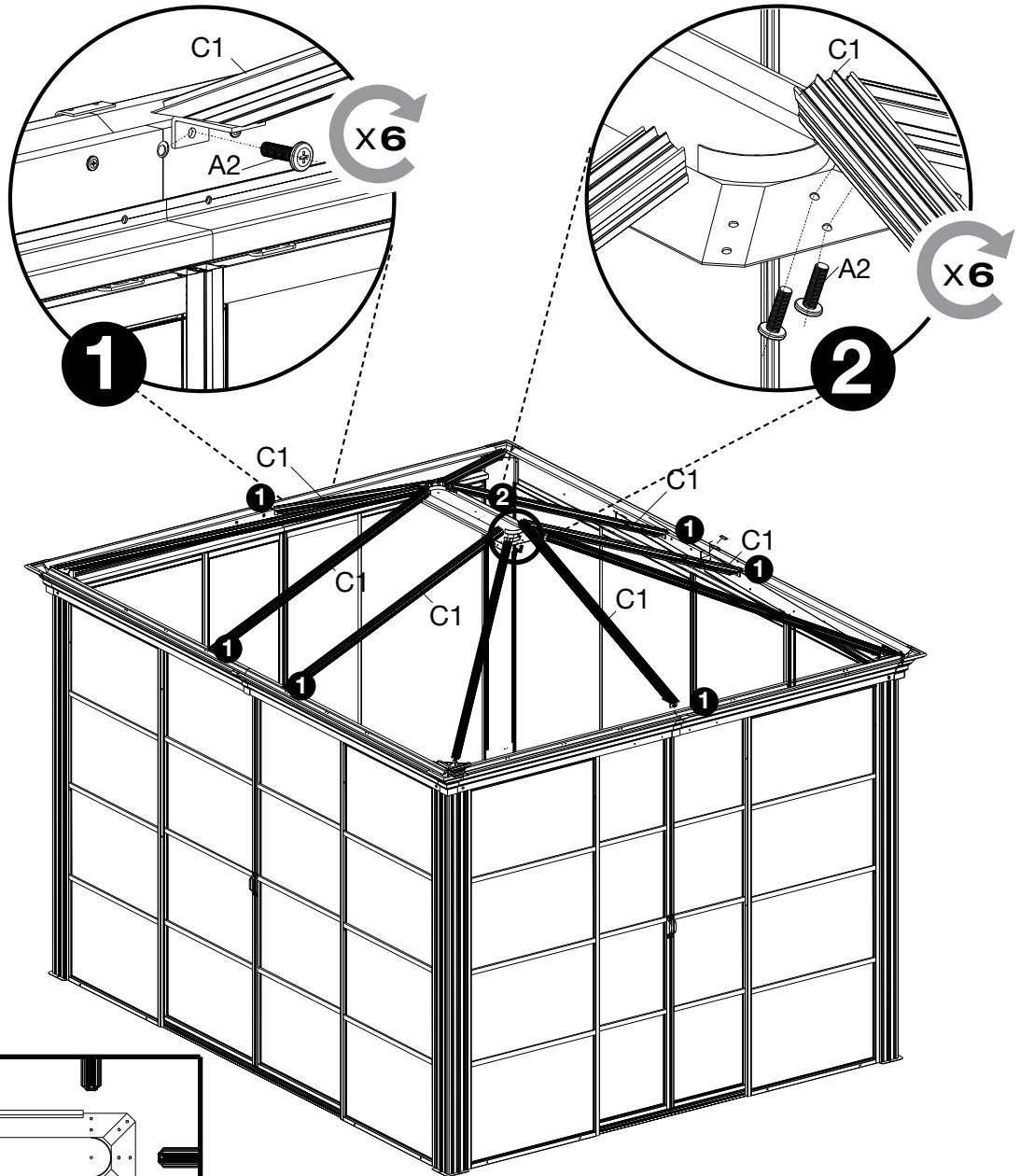




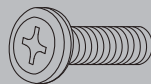
A2x16



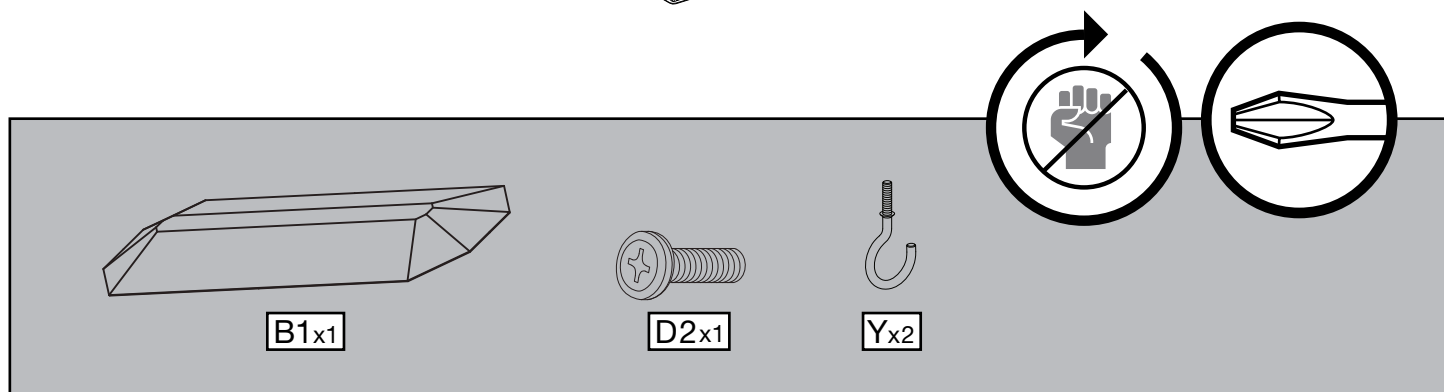
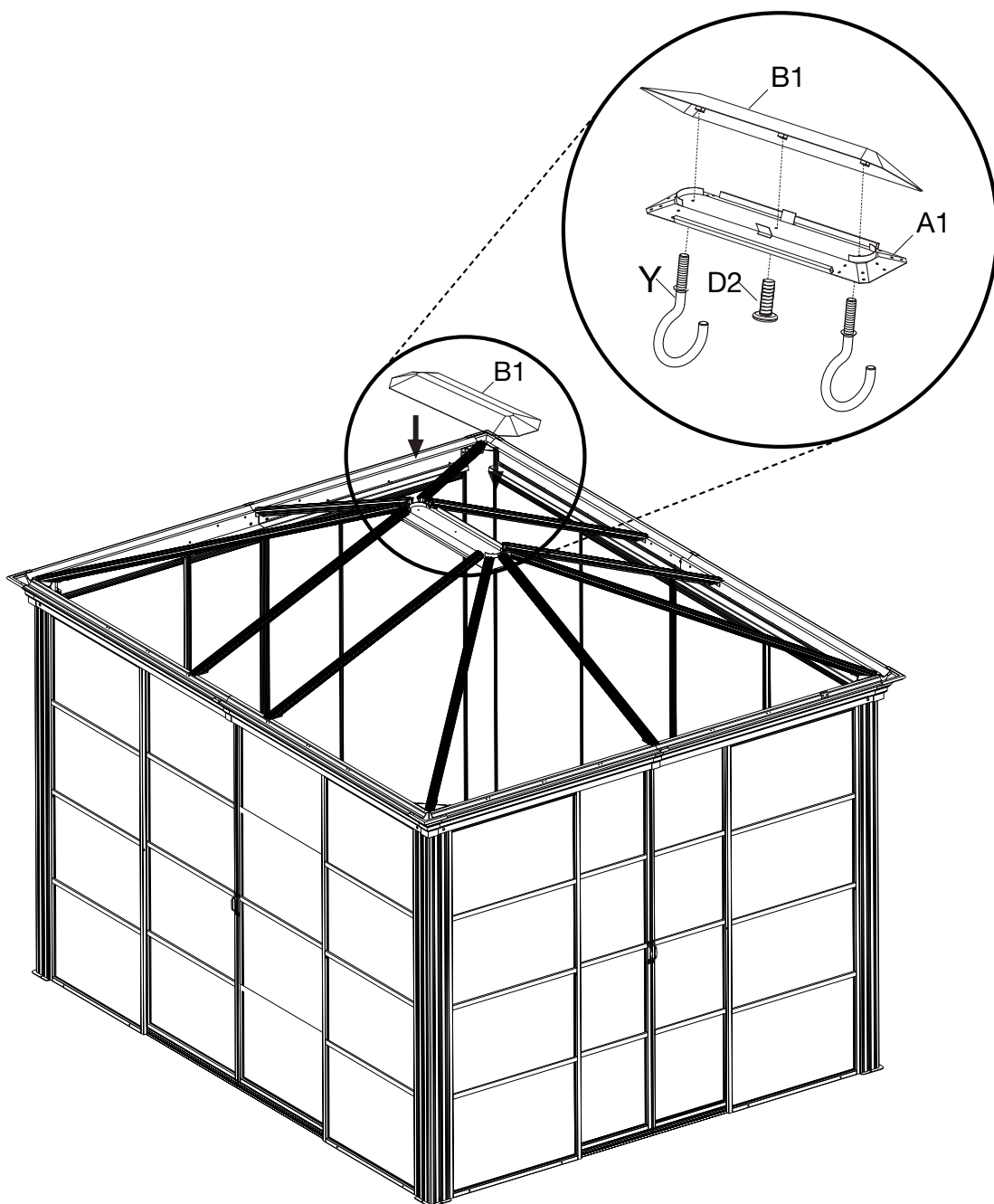


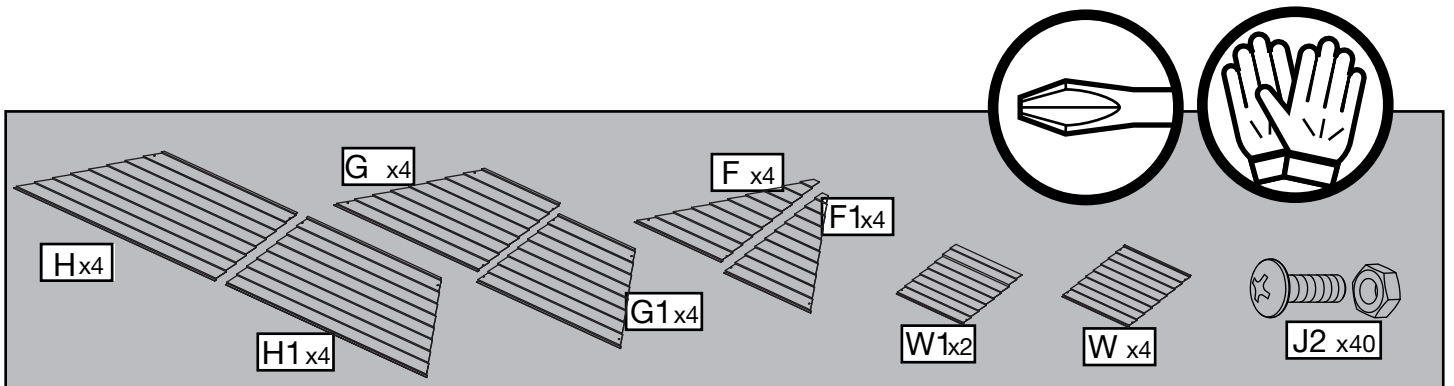
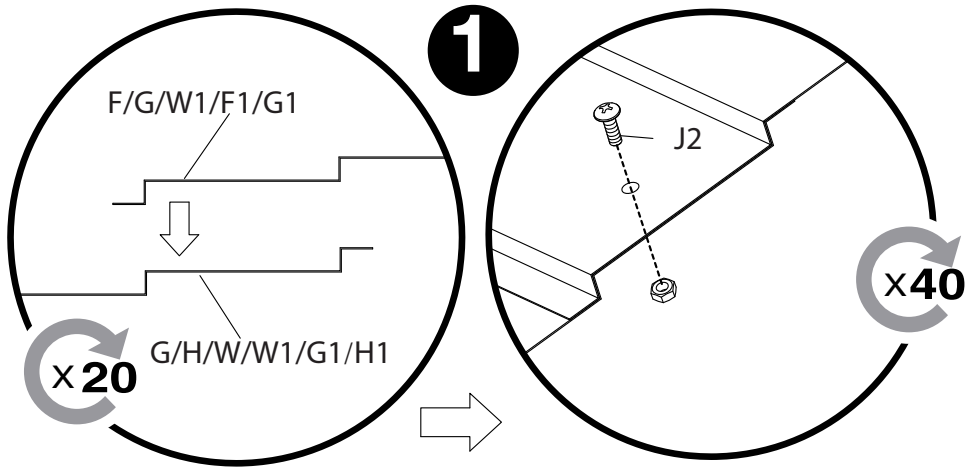
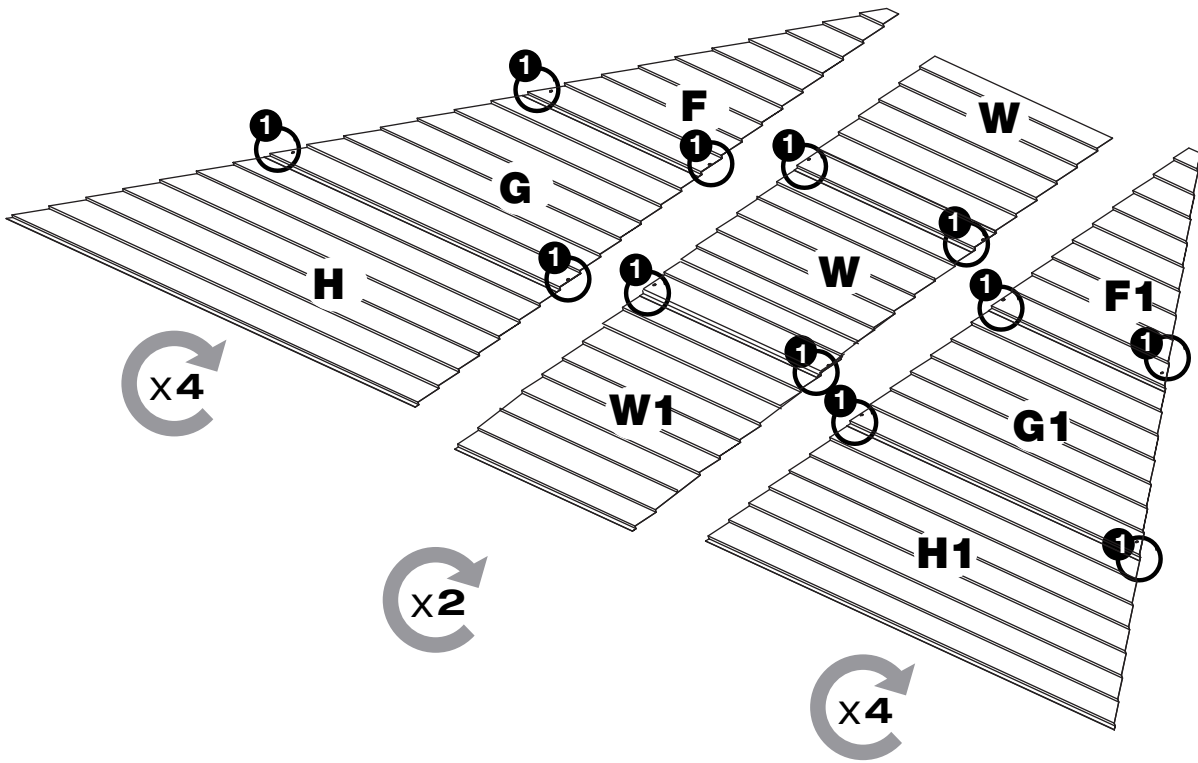


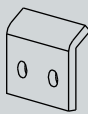
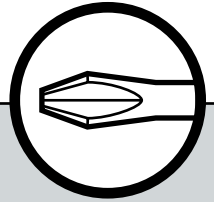
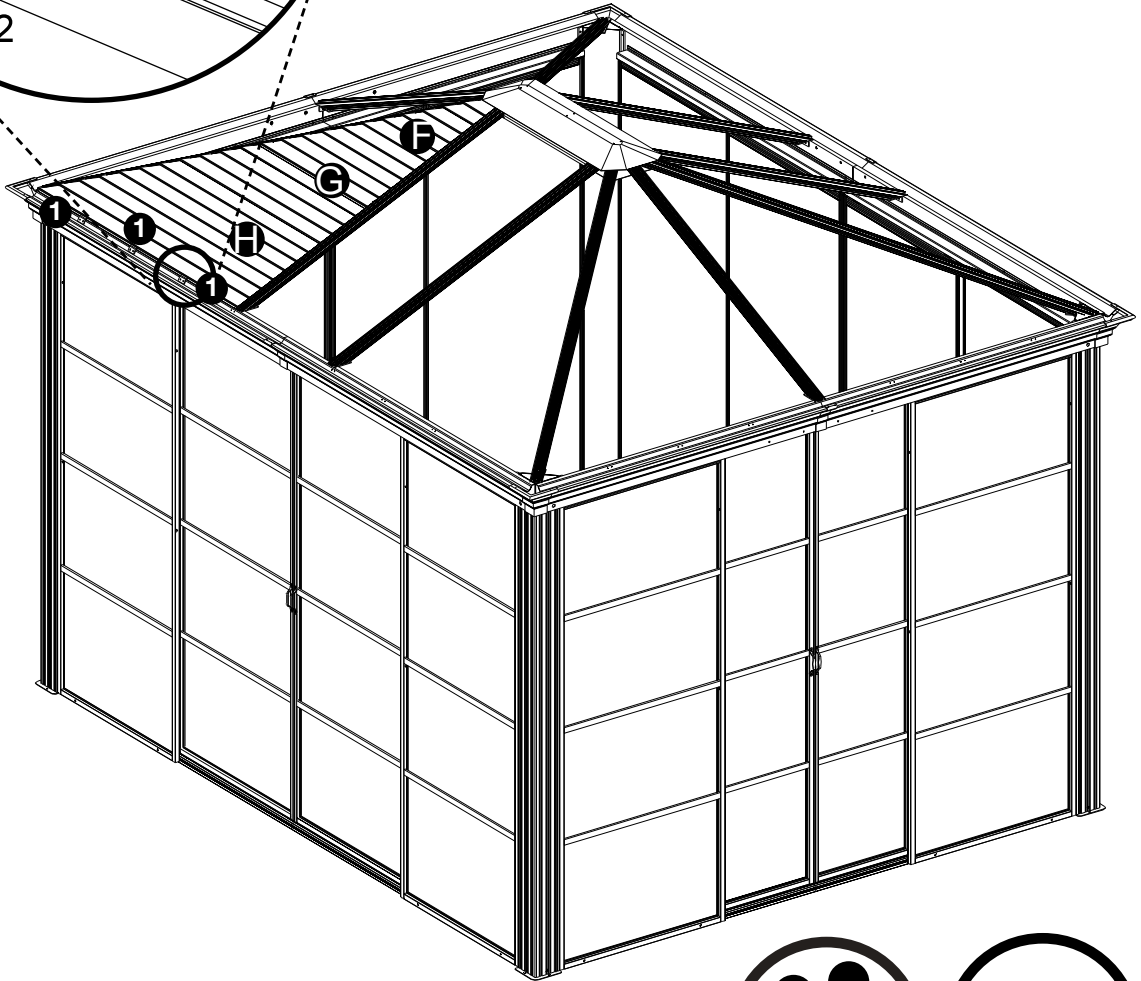
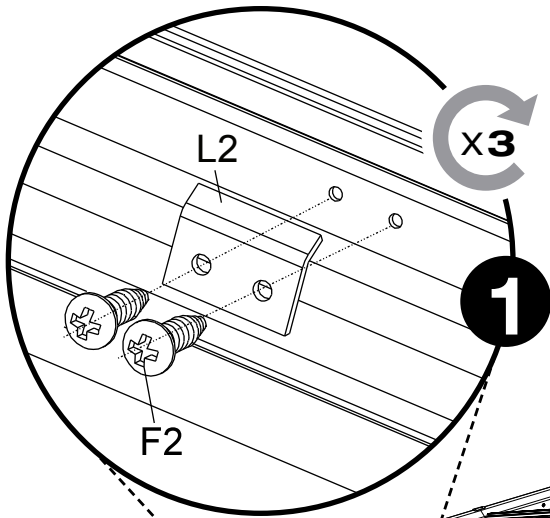
C1 x6



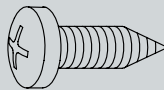
A2 x18



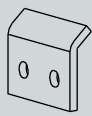
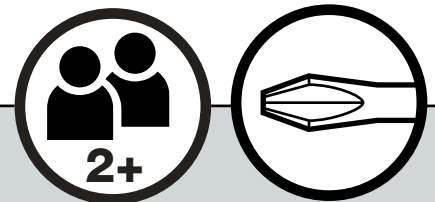
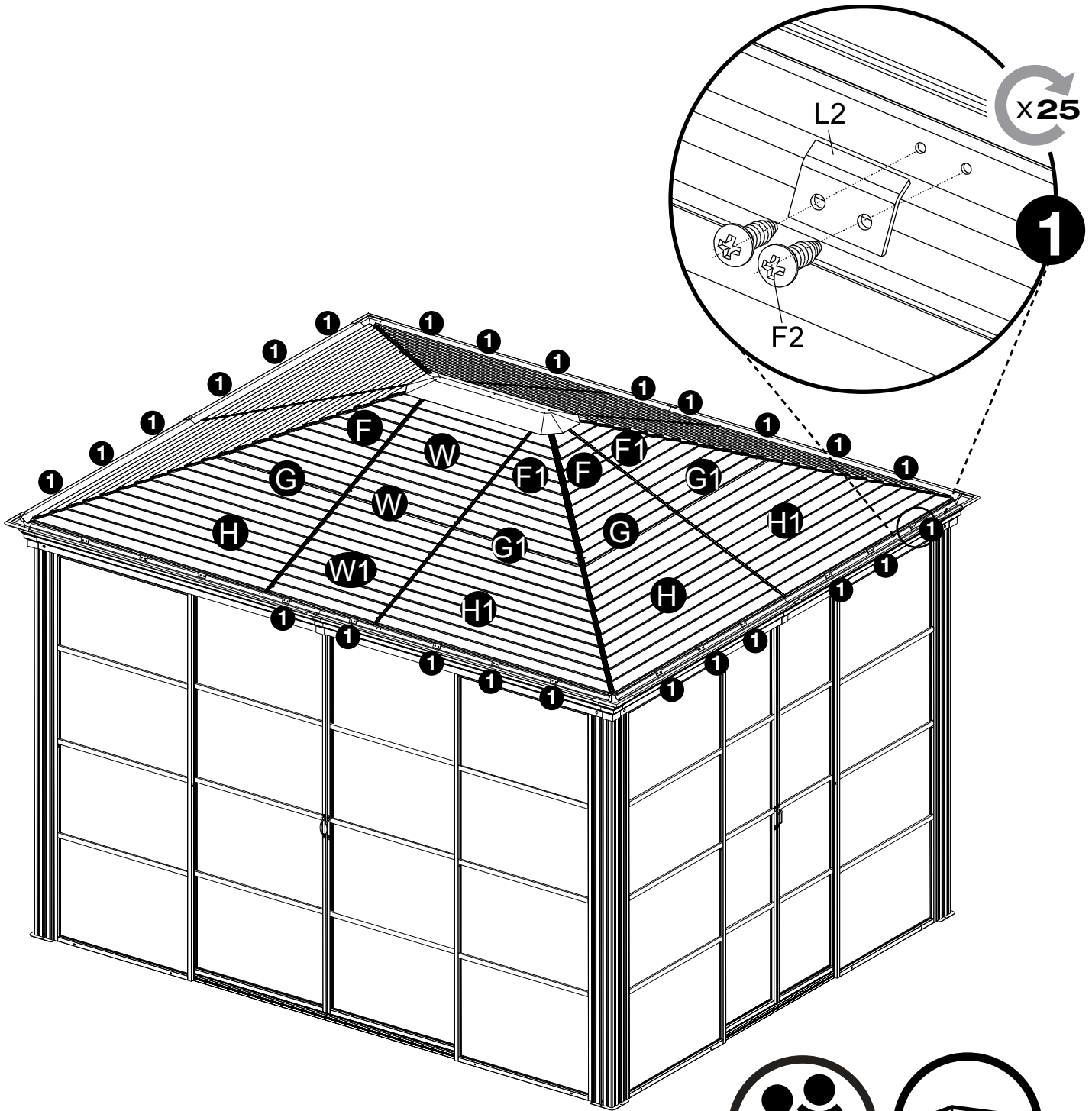




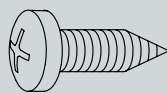
L2x3



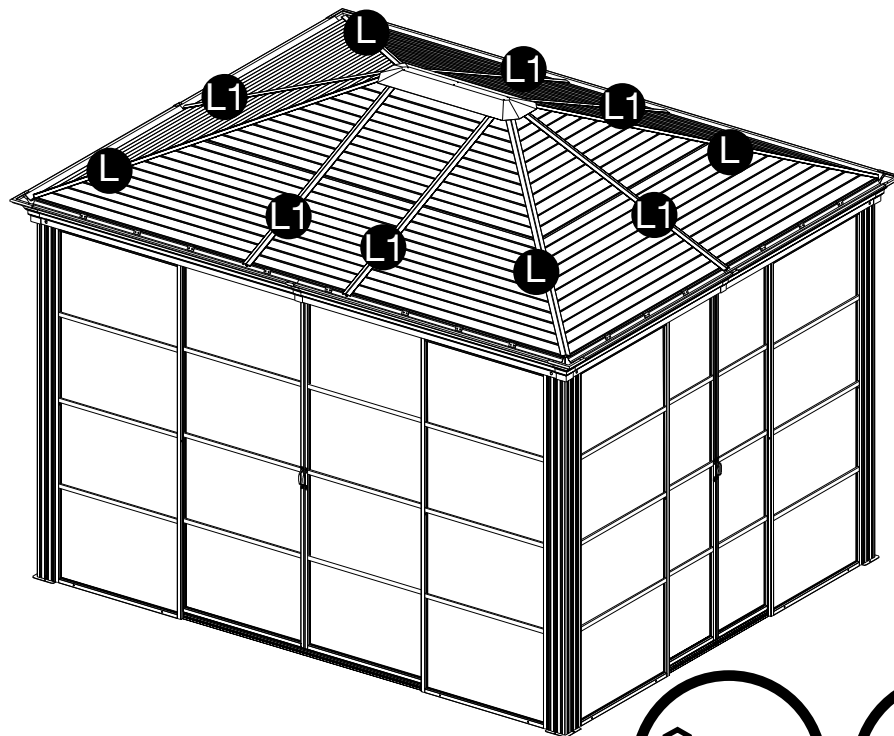
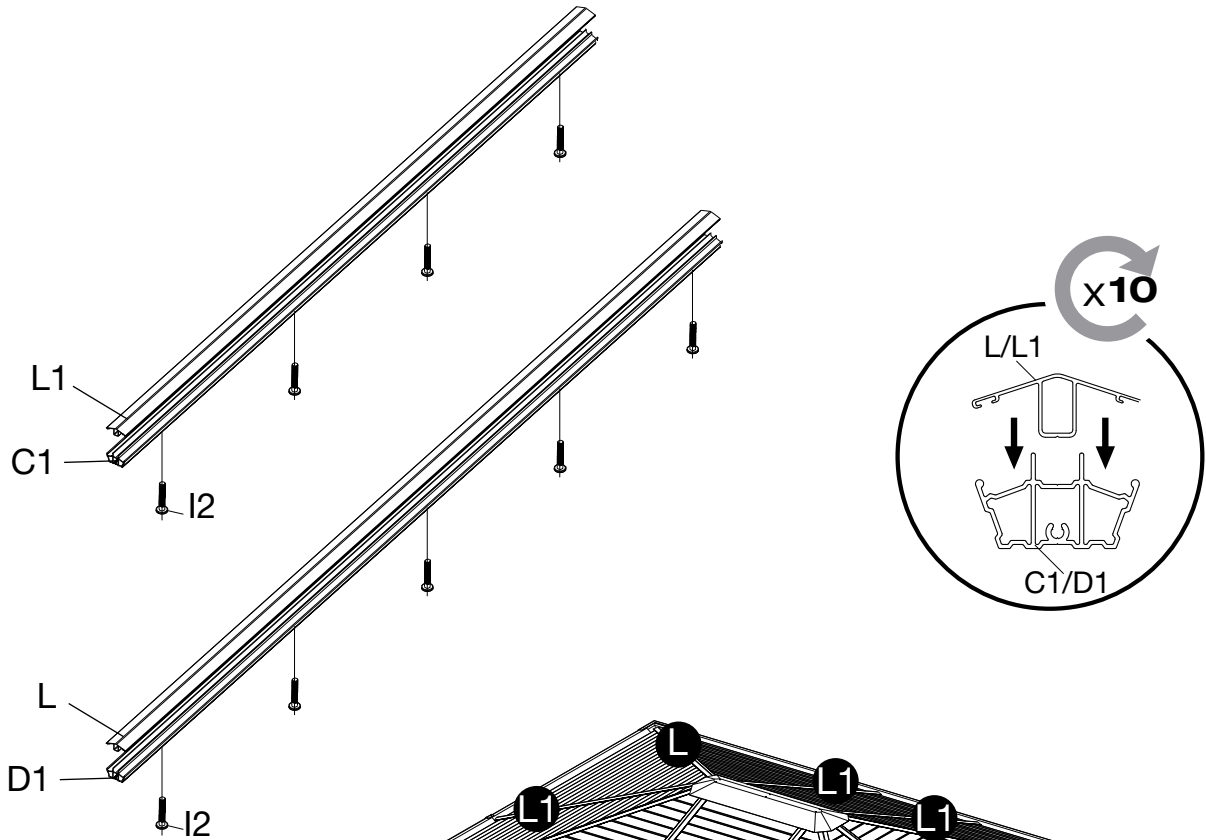
F2x6



L2 x25



F2 x50



SOJAG ■ I
produits saisonniers • seasonal products