



GLOW

INDOOR/OUTDOOR HEATER

700/800/1500 WATT

REMOTE CONTROL

DIGITAL ADJUSTMENT

BUILT-IN LIGHT

SAFETY-TILT SWITCH

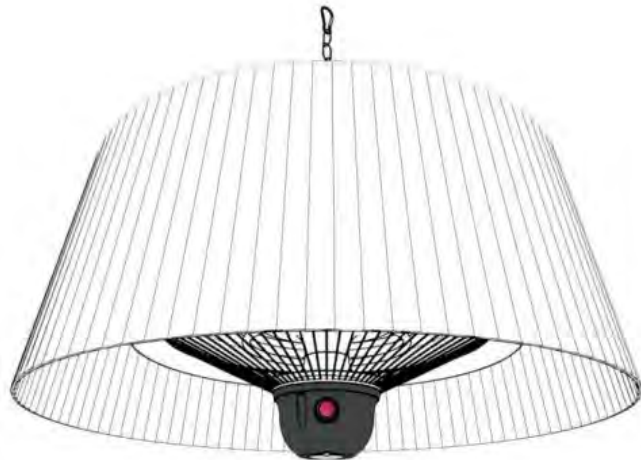
18.84 SQ FT HEAT RADIUS

DECORATIVE SHADE



Electric Patio Heater

OH-E315B Midnight Black
OH-315W White



Thank you for choosing our Electric Patio Heater. This owner's manual will provide you with valuable information necessary for the proper care and maintenance of your new product. Please take a few moments to thoroughly read the instructions and familiarize yourself with all the operational aspects of your new heater.

IMPORTANT INSTRUCTIONS

When using electrical appliances, basic precautions should always be followed to reduce the risk of fire, electric shock, and injury to persons, including the following:

1. Read all instructions before using the heater.
2. Do not install less than 8 feet (or 2.4 meters) from the floor
3. This heater is hot when in use. To avoid burns, do not let bare skin touch hot surfaces. Keep combustible materials, such as furniture, pillows, bedding, papers, clothes, etc. and curtains at least 3 feet (0.9 m) from the front of the heater and keep them away from the sides and rear.
4. Extreme caution is necessary when any heater is used by or near children or invalids and whenever the heater is left operating and unattended.
5. Do not operate any heater after it malfunctions. Disconnect power at service panel and have heater inspected by a reputable electrician before reusing.
6. To disconnect heater, turn controls to off, and turn off power to heater circuit at main disconnect panel.
7. Do not insert or allow foreign objects to enter any ventilation or exhaust opening as this may cause an electric shock or fire, or damage the heater.
8. To prevent a possible fire, do not block air intakes or exhaust in any manner.
9. A heater has hot and arcing or sparking parts inside. Do not use it in areas where gasoline, paint, or flammable vapors or liquids are used or stored.
10. Use this heater only as described in this manual. Any other use not recommended by the manufacturer may cause fire,

electric shock, or injury to persons.

11. Unpack the heater to make sure that all the items are present and that there are no components left in the box and that the heater head is free from any packing material.
12. Using the detailed drawing follow the steps to assemble your heater.
13. Do not connect the heater to the electrical supply until all the assembly is complete.
14. Do not connect the heater to the electrical supply if any of the components or the power cord is damaged in any way.
15. If in doubt contact your supplier.
16. This appliance can be used by children aged from 8 years and above and persons with reduced physical, sensory or mental capabilities or lack of experience and knowledge if they have been given supervision or instruction concerning use of the appliance in a safe way and understand the hazards involved. Children shall not play with the appliance.
17. Cleaning and user maintenance shall not be made by children without supervision.
18. **WARNING:** This heater is not equipped with a device to control the room temperature. Do not use this heater in small rooms when they are occupied by persons not capable of leaving the room on their own, unless constant supervision is provided.
19. Children of less than 3 years should be kept away unless continuously supervised.
20. Children aged from 3 years and less than 8 years shall only switch on/off the appliance provided that it has been placed or installed in its intended normal operating position and they have been given supervision or instruction concerning use of

the appliance in a safe way and understand the hazards involved.

21. Children aged from 3 years and less than 8 years shall not plug in, regulate and clean the appliance or perform user maintenance.
22. Mount the heater outside or in a large open area and well away from any obstructions such as branches or where the heater is near any objects that can be affected by heat, such as furniture, curtains or other inflammable objects (minimum distance 1 meter).
23. Do not position immediately above or below an electrical socket.
24. When the power supply cord is damaged, it must be replaced by authorized agent or other professional people to avoid danger.
25. This appliance is not intended for use by persons (including children) with reduced physical. Sensory or mental capabilities, or lack of experience and knowledge, unless they have been given supervision or instruction concerning use of the appliance by a person responsible for their safety.
26. Children should be supervised to ensure that they do not play with the appliance.
27. Do not use it near bath tubs, wash areas or swimming pools.
28. Do not use it in unventilated areas
29. Do not use where gas, petrol, paint or other inflammable goods are stored.
30. Do not move when connected to an electrical supply and always wait until the patio heater cool down before storing away.
31. Do not touch the heater head when in use.

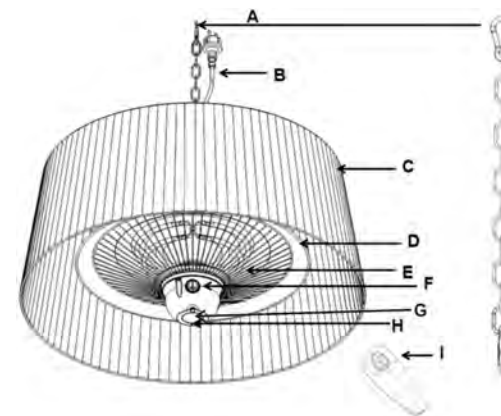
32. Do not leave after turn it on and unattended especially when children or animals are in the vicinity.
33. The indication of different positions of switches should be visible from a distance of 1M at least.
34. The Marking concerning covering shall be visible after the heater has been installed. It shall not be placed on the back of heaters.
35. The heater must be correctly installed according to the instructions.
36. The heater will be at high temperature when in use. It keeps hot for a period after shut down. Potential danger would occur when you touch it during this period.
37. Don't place the heater closed to curtain or other flammable objects. Otherwise there will be a danger of catching fire.
38. Don't cover the heater with anything when in use or a short time after it is shut down.
39. Don't wrap the power supply cord on the heater.
40. The heater must be handled with care, and avoid vibration or hitting.
41. The heater must be securely grounded when in use.
42. If the heater gets damaged, it must be repaired by professional electricians.
43. When assembling, keep away from any board or flammable material.
44. It is not safe to install the heater near a swimming pool, in a bathroom or shower area.
45. The heater is for household use only. It is not safe to use on a building site, greenhouse, barn or stable where there's flammable dust.
46. The heater is at high temperature when in use. Unplug the

heater and wait until it cools down before cleaning.

47. Don't use this heater in place where causticity or volatile air exists, such as dust, steam, gas, etc.
48. Don't use this heater as a cloth drier or towel drier.
49. Don't use this heater as a sauna heater.
50. Don't use this heater in place of animal propagating and raising.
51. The heater should be plugged in a socket, which is easily visible and reachable.
52. Do not use this heater with a programmer, timer, separate remote-control system or any other device that switches the heater on automatically, since a fire risk exist if the heater is covered or positioned incorrectly.
53. The instruction manual shall provide adequate instructions for connection to the supply ensuring an equivalent protection!

SAVE THESE INSTRUCTIONS

PRODUCT DIAGRAM



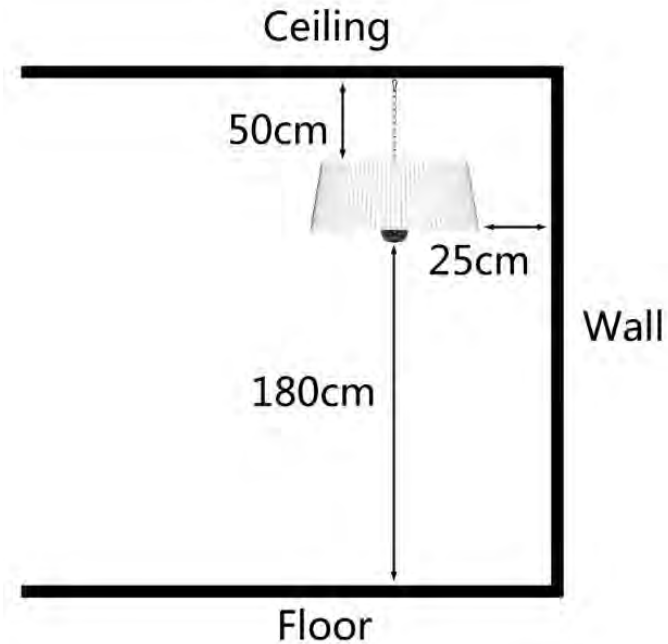
- A. Chain with Hook
- B. Power Cable
- C. Decorative Shade
- D. Heater Head
- E. Heating Lamp
- F. On/Off Switch
- G. LED
- H. Touch Switch
- I. Remote Control

INSTALLATION INSTRUCTIONS

- A. Heater must be installed by a qualified electrician.
- B. Place the heater on a firm, level ceiling surface; level ceiling surface; installation of the heater on a strong rigid support (such as strong wooden beams or metal rails etc).
- C. The Hook on the ceiling hanging the Patio Heater must be able to take a weight 3 or 4 times that of the Patio Heater itself.
- D. Place the Hook A around the Ceiling Hook and clip on any Ring of the Chain to adjust the height of the Patio Heater to the Floor.
- E. The distance between the bottom of the Patio Heater to the Floor must be over 1.8M.
- F. Plug the Patio Heater into a grounded 120V~ 60Hz 15A power outlet.
- G. Only operate the heater when it is in the upright position.

Minimum Required Distances:

- 25cm from the side wall
- 50cm from the ceiling
- Installation height above 180cm



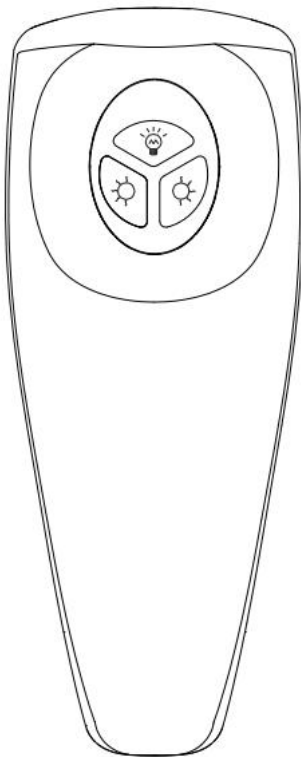
OPERATING INSTRUCTIONS

WARNING: The heater must be properly installed before it is used. This unit is equipped with one On / Off switch.



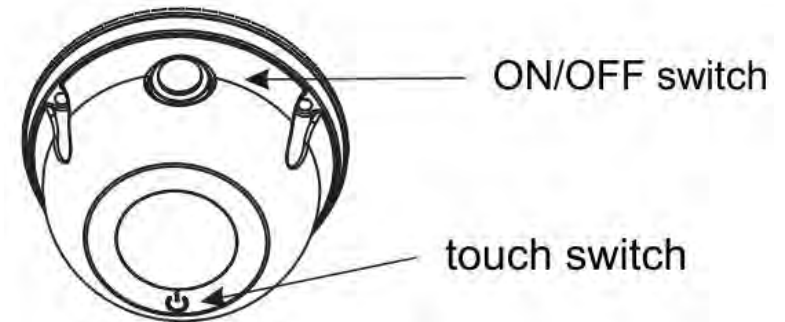
Remote control

- A. Press the On/Off switch to activate the heater
- B. To operate the heater on low power (700W), press on the left side button of the remote control
- C. To operate the heater on medial (800W), press on the right side button of the remote control
- D. Press on both the left and right side button of the remote control for maximum power (1500W)
- E. To operate the LED light, press the top button of the remote control



Operation of Touch Switch

- Press the On/Off switch to activate the heater
- Touch the touch switch once to operate the heater on 700W power.
- Touch the touch switch twice to operate the heater on 1500W power.
- Touch the touch switch third times to activate the LED light without heat.
- Touch the touch switch four times to operate the LED light and to operate the heater on 1500W power.
- Touch the touch switch five times to shut off the light and heat.



Care and maintenance

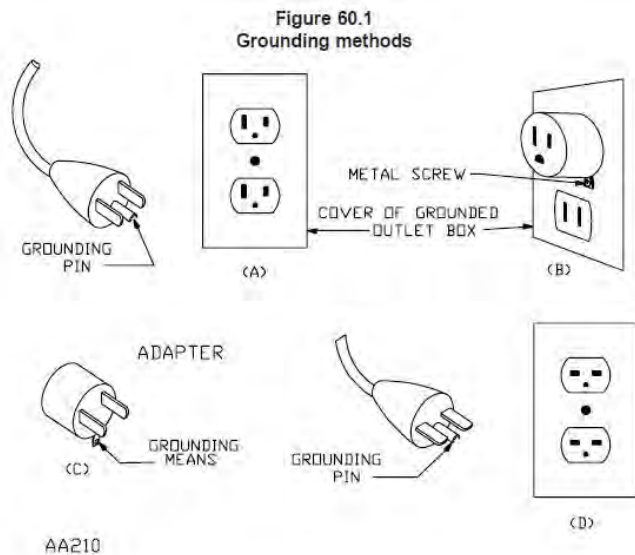
- When disconnected from the electrical supply, clean the surface of the patio heater with a damp cloth. Never use corrosive or solvent cleaners or immerse in water.
- Any maintenance or repairs including replacing the halogen tube should only be carried out by a qualified electrician or by a recommended service center.

Technical specification

- Power supply 120V 60Hz
- Wattage max 1500W
- Insulation class I

Grounding instructions

This heater is for use on 120 volts. The cord has a plug as shown at A in Figure 60.1. An adapter as shown at C is available for connecting three-blade grounding-type plugs to two-slot receptacles. The grounding plug extending from the adapter must be connected to a permanent ground such as a properly grounded outlet box. The adapter should not be used if a three-slot grounded receptacle is available.



Thank you for choosing to buy a PARAGON OUTDOOR product.

If you have a question about your PARAGON OUTDOOR heater, call the PO Helpline at 1-877-782-4482 with your serial number and details of where and when you bought the unit.

Most questions can be solved over the phone by one of our Helpline staff. If your heater needs service, call the PO Helpline so we can discuss the available options. If your heater is under warranty, and it is a covered repair, it will be repaired at no cost.

To help us ensure you receive prompt and efficient service, please register as a PO owner. There are two ways to do this:

- by completing and returning the enclosed form to us by mail
- online at www.paragon-outdoor.com

This will confirm ownership of your Paragon Outdoor in the event of an insurance loss, and enable us to contact you if necessary. Terms and conditions of the Paragon Outdoor 5.3.1. year limited warranty

WHAT IS COVERED:

Your Paragon Outdoor heater is warranted against original defects in material and workmanship for a period of five years from the date of purchase, when used for private household purposes in accordance with the PO Owner's Manual. This warranty provides, at no extra cost to you, all parts to place your heater in proper operating condition during the warranty period.

REGISTERED OWNER IS RESPONSIBLE FOR THE COST OF SHIPPING ON ANY PARTS OR REPLACEMENTS

This warranty is subject to the following terms:

WHAT IS NOT COVERED:

- PARAGON OUTDOOR, Inc. shall not be liable for costs incurred as a result of:
- Heaters purchased from an unauthorized dealer.
 - Use of parts not in accordance with the Owner's Manual.
 - Careless operation or handling, misuse, abuse and/or lack of maintenance or use not in accordance with the Owner's Manual.
 - External sources such as weather.
 - Repairs or alterations carried out by unauthorized parties or agents.
 - Use of the heater other than for normal domestic purposes within the United States, e.g. for commercial or rental purposes.
 - Use of parts and accessories other than those produced or recommended by Paragon Outdoor, Inc.

FOR IMMEDIATE ASSISTANCE



PARAGON OUTDOOR HELP-LINE:

Call 1-877-782-4482 toll free,
7 days a week.
Please register as:
a PARAGON OUTDOOR owner

Warranty Service

- Please fill out and return the Product Registration form, or register online at www.paragon-outdoor.com
- Before service can take place, the terms of the warranty require that you contact the PO Helpline with your model name/number, serial number, date and place of purchase. Please keep your purchase receipt in a safe place to ensure you have this information.
- All work will be carried out by PARAGON OUTDOOR, Inc. or its authorized agents.
- Any replaced defective parts will not extend the period of this warranty.
- Service under this warranty will not extend the period of this warranty.

PLEASE CONTACT THE MANUFACTURER DIRECTLY WITH ANY QUESTIONS, COMMENTS OR CONCERNS WITH THIS PRODUCT:

PARAGON OUTDOOR: (US) OFFICES: 100 West Forest Avenue, Unit C, Englewood, NJ 07631- MON-FRI 9AM - 5PM EST
PARAGON OUTDOOR TEL: (US) 1-877-782-4482 EMA: support@paragon-outdoor.com - WEB: www.paragon-outdoor.com

PARAGON OUTDOOR
100 W. FOREST AVE. UNIT C
ENGLEWOOD, NJ 07631
www.paragon-outdoor.com

