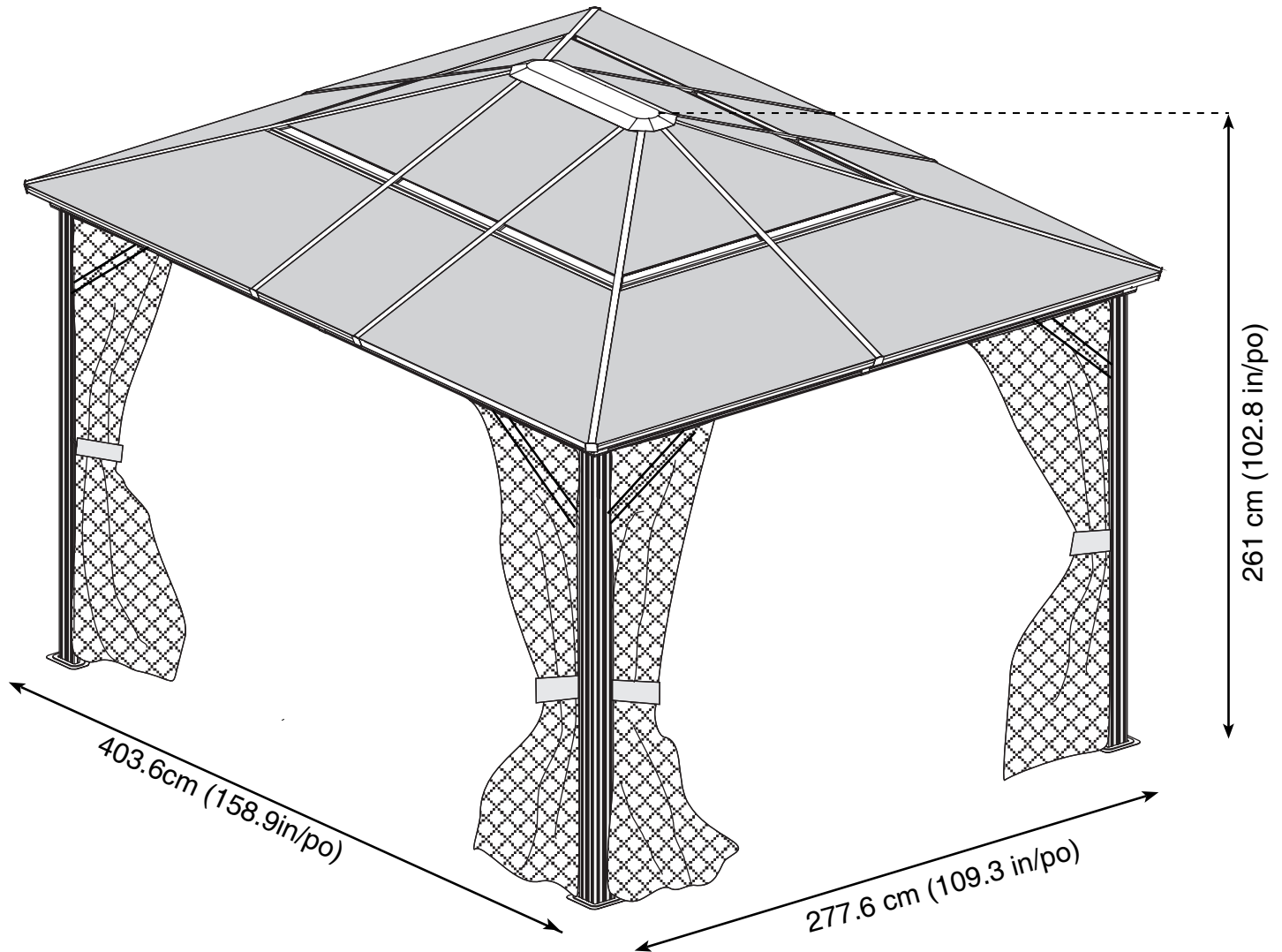


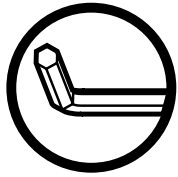
# SOJAG

produits saisonniers • seasonal products

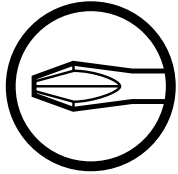
QUESTIONS? 1 866-901-1649

## Assembly Manual / Guide d'assemblage / Manual de ensamblaje / 조립설명서 / Montageanleitung





Use the hex keys in the box. / Utilisez les clés hexagonales fournies dans la boîte. / Utilice las llaves hexagonales en la caja. / 상자에 육각 키를 사용 하십시오. / Verwenden Sie die Sechskantschlüssel in der Box.



Please use a Phillips screwdriver. / Utilisez un tournevis de type Phillips / Por favor, use un destornillador Phillips. / 십자 드라이버를 사용 하십시오. / Bitte verwenden Sie einen Kreuzschraubenzieher.



You may need to use a drill for this step. / Vous pouvez avoir besoin d'utiliser une perceuse pour cette étape. / Puede que tenga que utilizar un taladro para este paso. / 이 단계에선 드릴을 사용해야 할 수도 있습니다. / Für diesen Schritt können Sie einen Bohrer verwenden.



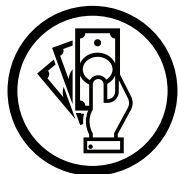
Wearing protective gloves is recommended. / Le port de gants de protection est recommandé / El uso de guantes de protección se recomienda. / 보호 장갑을 착용 하는 것이 좋습니다. / Das Tragen von Schutzhandschuhen wird empfohlen.



Two or more people are required at this stage. / Deux personnes ou plus sont nécessaires à cette étape. / Dos o más personas se requieren en esta etapa. / 이 단계에서는 두 명 이상 이 필요합니다. / Für diesen Bauschritt sind 2 oder mehr Personen erforderlich.



Do not tighten screws all the way for now. / Ne pas visser fermement pour l'instant. / No atornille con firmeza por ahora. / 아직 나사를 단단히 조이지 마십시오. / Bitte die Schrauben zum jetzigen Zeitpunkt noch nicht fest anziehen.

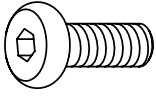


Sold separately. / Vendus séparément. / vendido en las opciones. / 옵션 판매 / Optional erhältlich

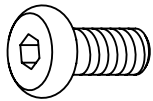


Optional step / Étape optionnelle / Paso opcional / 선택적 단계 / Optionaler Schritt


**U** X62(+6)



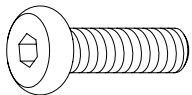
**U1** X 52 (+5)



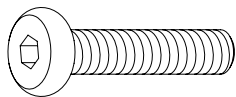
**U2** X2 (+1)



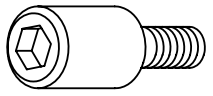
**V** X 16 (+3)



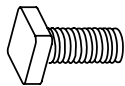
**V1** X1 (+1)




**W** X8 (+2)



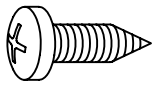
**X** X 10 (+2)



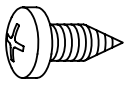
**X1** X 30 (+6)



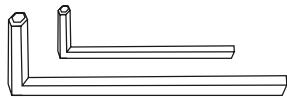
**Y** X 24 (+4)



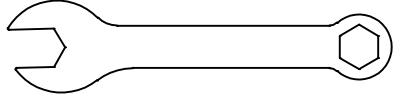
**Y1** X 20 (+4)

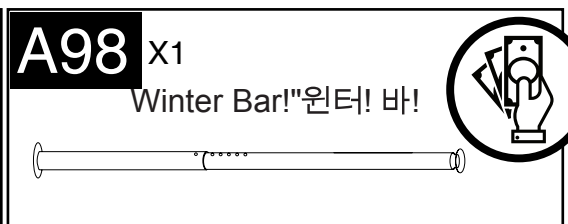
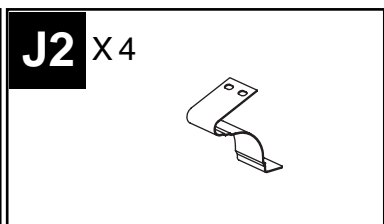
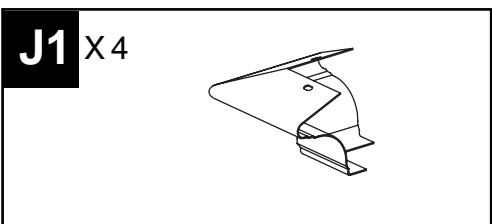
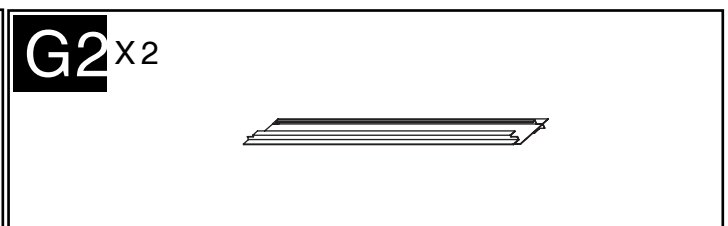
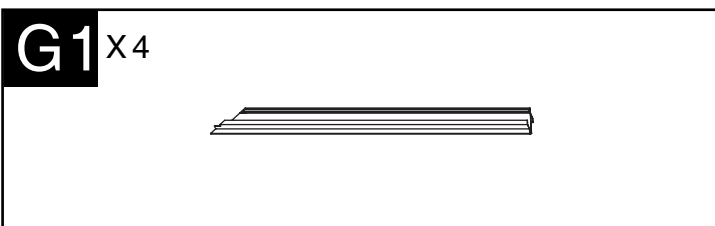
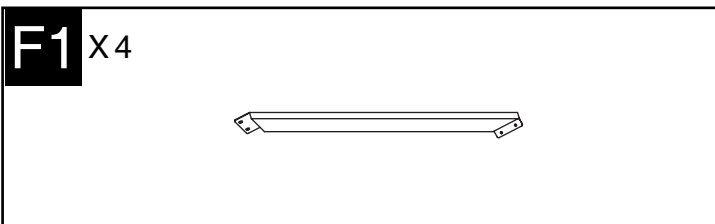
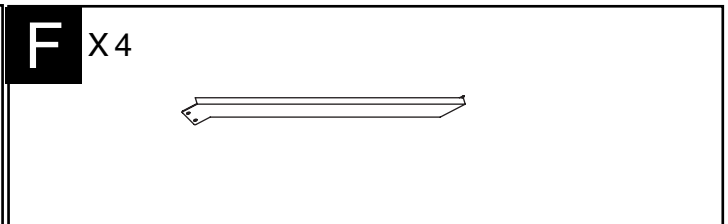
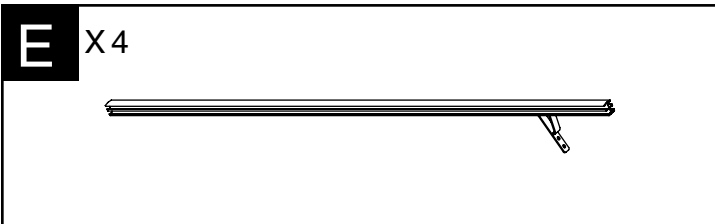
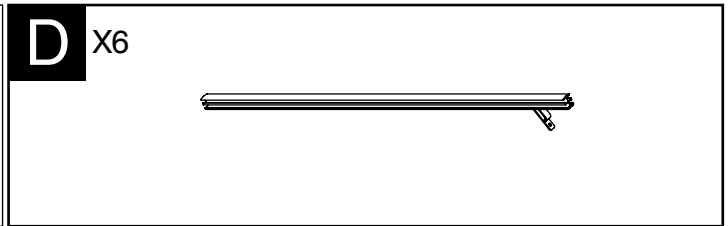
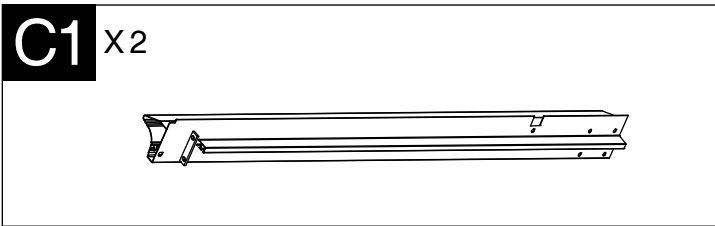
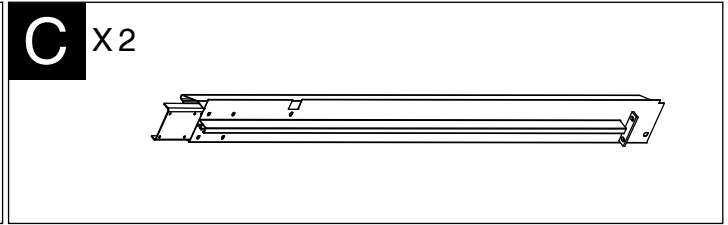
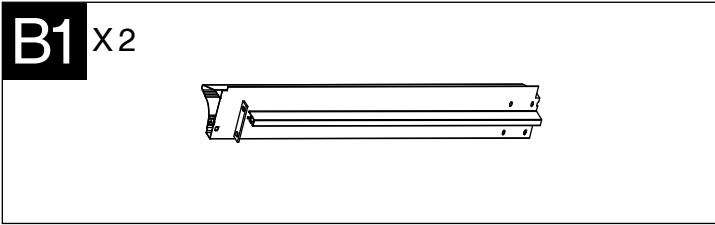
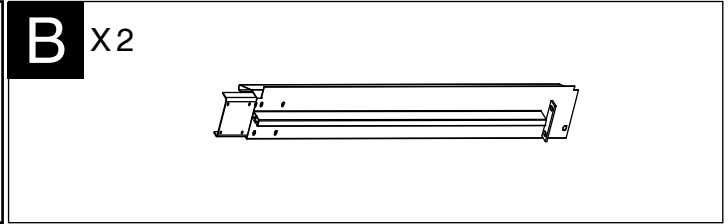
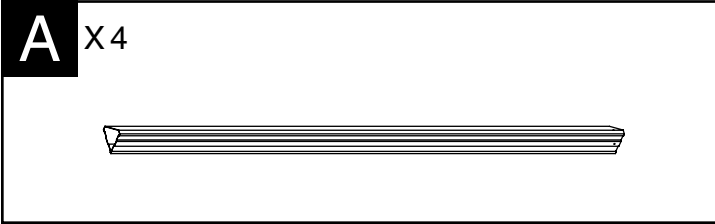







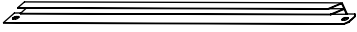
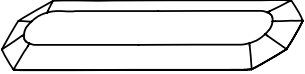
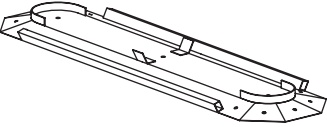
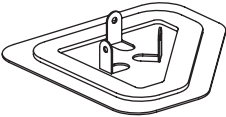
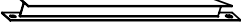
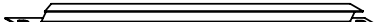
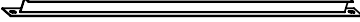
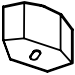
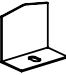
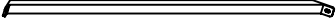
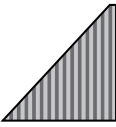
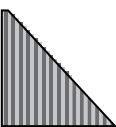
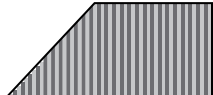
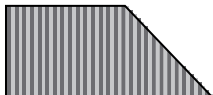

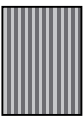


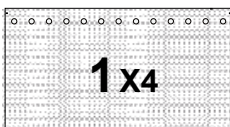

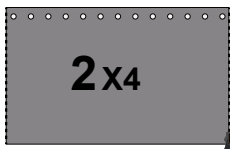

**Z** X1

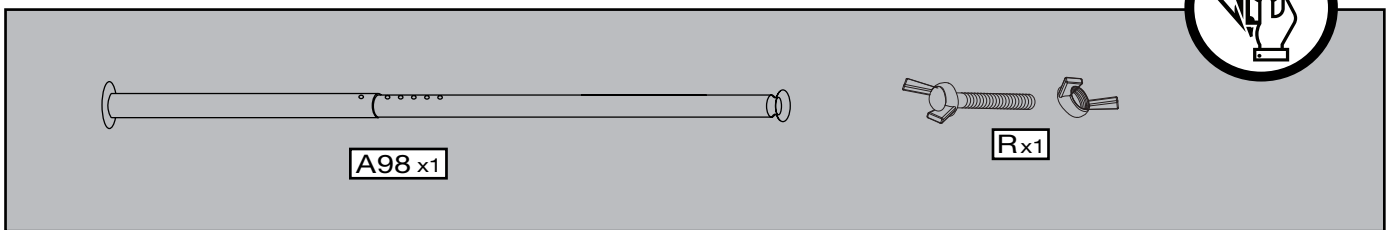
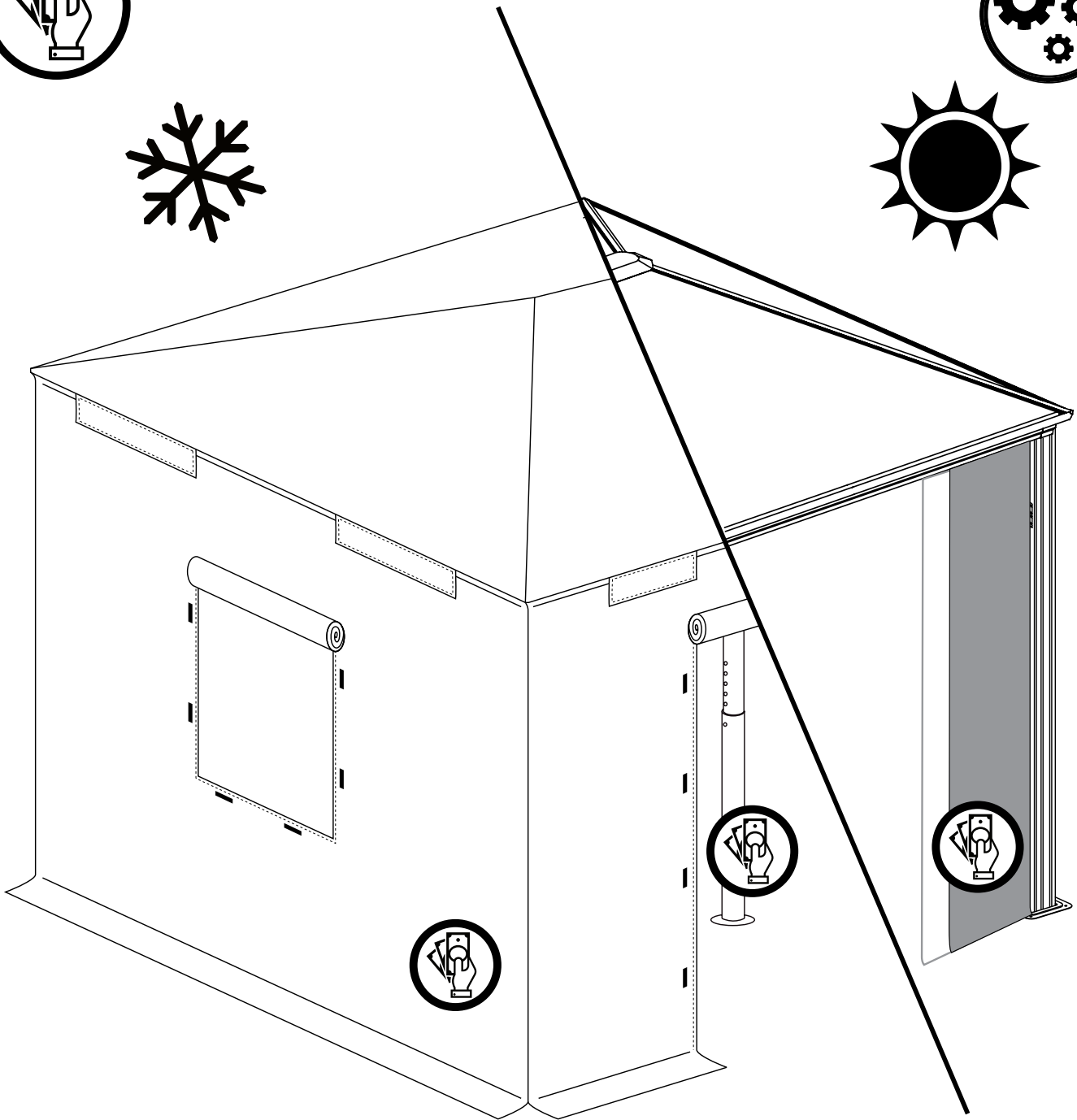
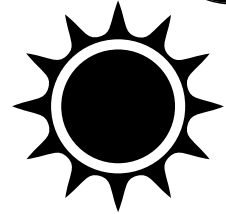
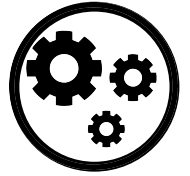
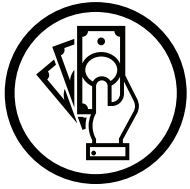


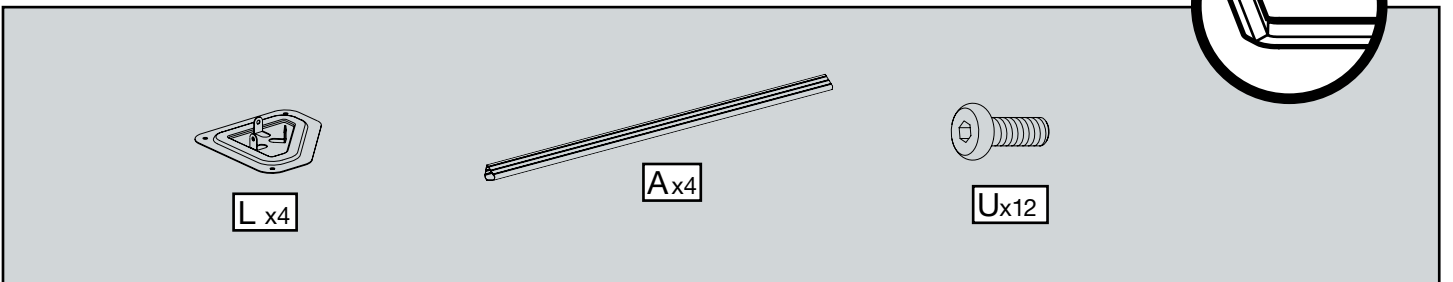
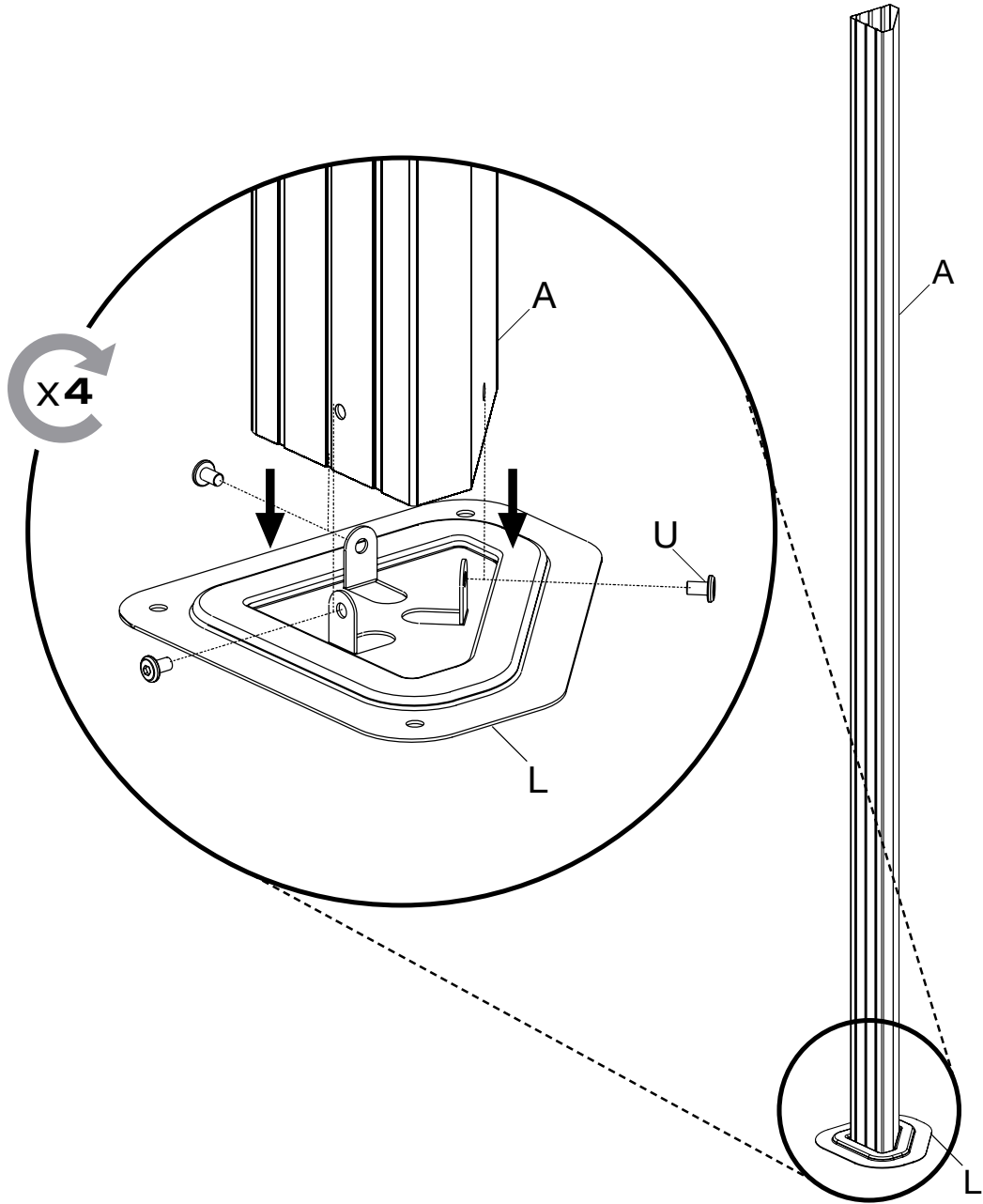
**Z1** X2

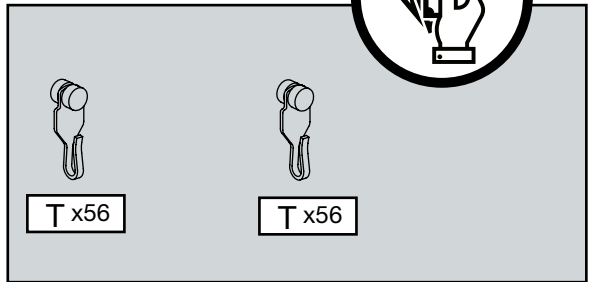
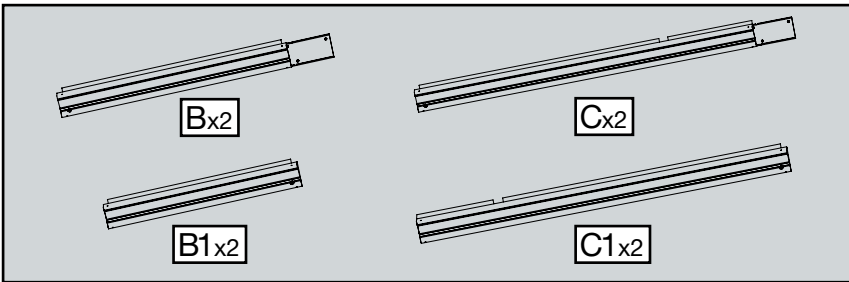
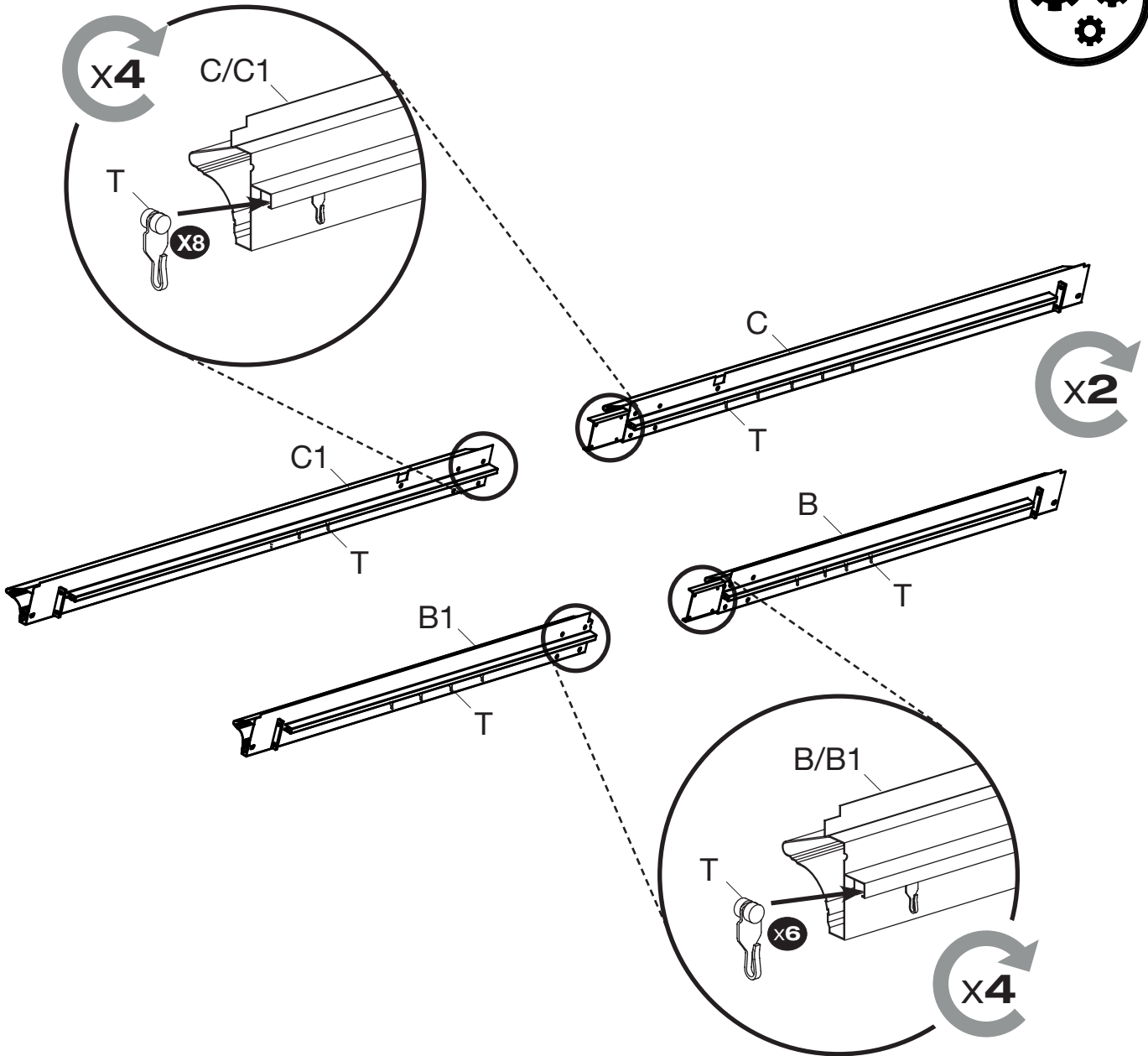




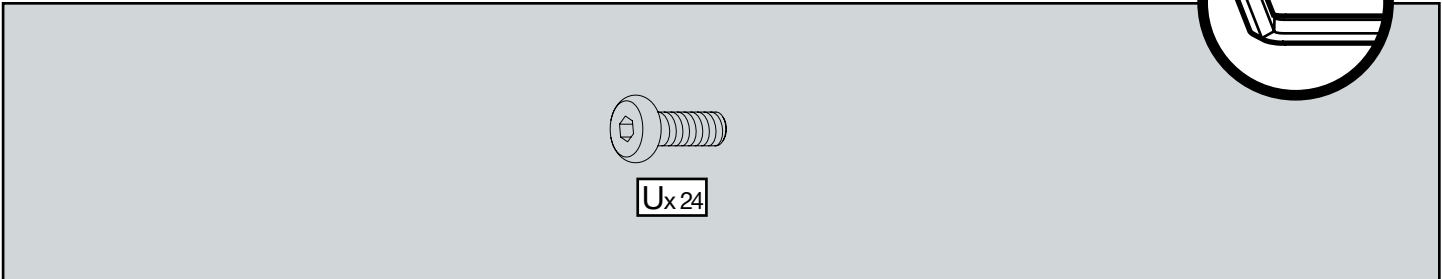
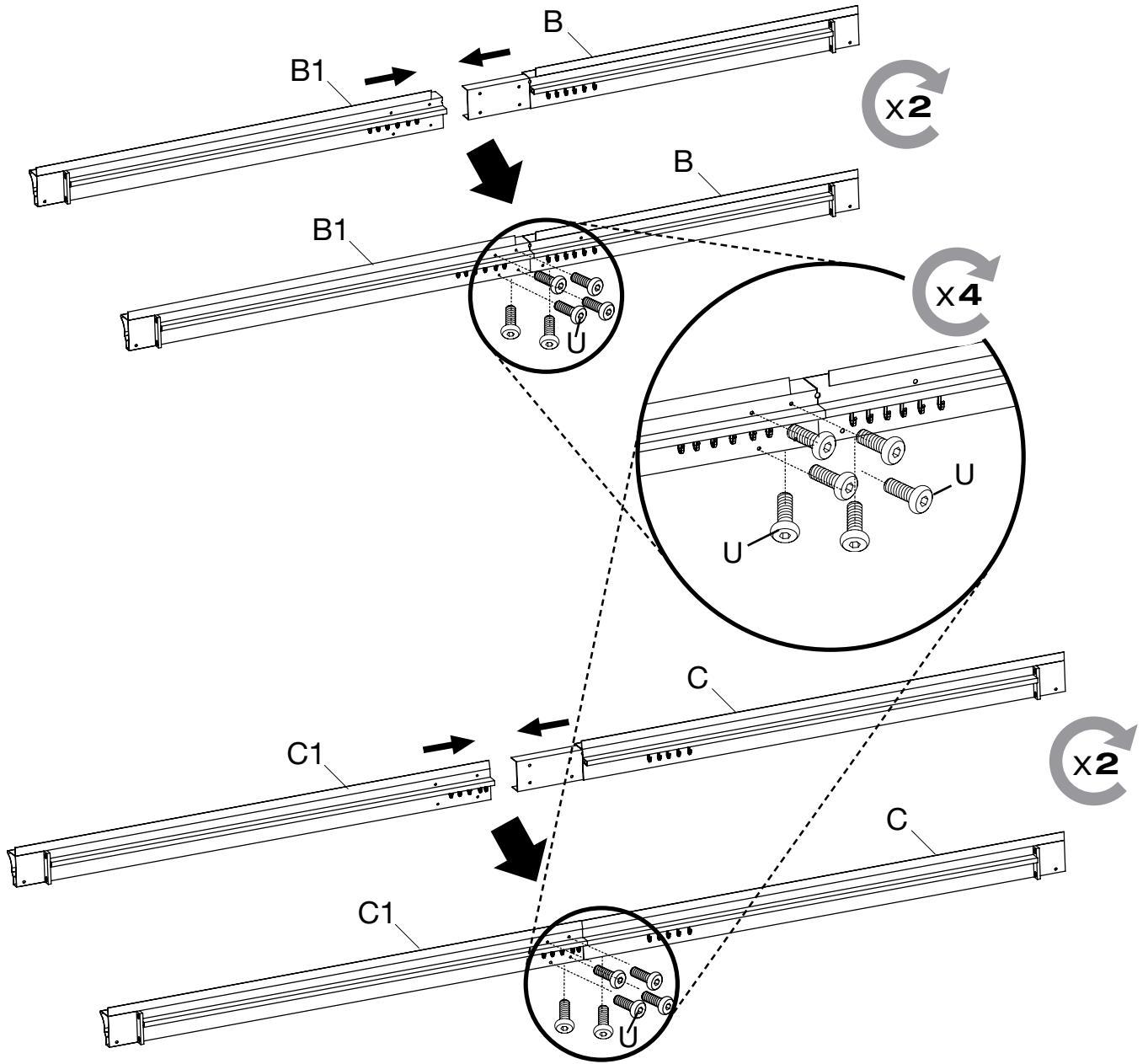
<b>H</b> X4 	<b>H1</b> X4 	<b>H2</b> X2 
<b>I</b> X4 	<b>I1</b> X4 	<b>I2</b> X2 
<b>K</b> X1 	<b>K1</b> X1 	<b>L</b> X4 
<b>N</b> X4 	<b>N1</b> X4 	
<b>N2</b> X2 	<b>O</b> X4 	<b>O1</b> X6 
<b>Q</b> X4 	<b>Ma</b> X4 	<b>M1a</b> X4 
<b>Mb</b> X4 	<b>M1b</b> X4 	
<b>P</b> X2 	<b>P1</b> X2 	<b>T</b> X 56 (+2) Optional 
		<b>T</b> X 56(+2) Optional 
<b>Net</b>  1 X4 		<b>Curtain</b>  2 X4 

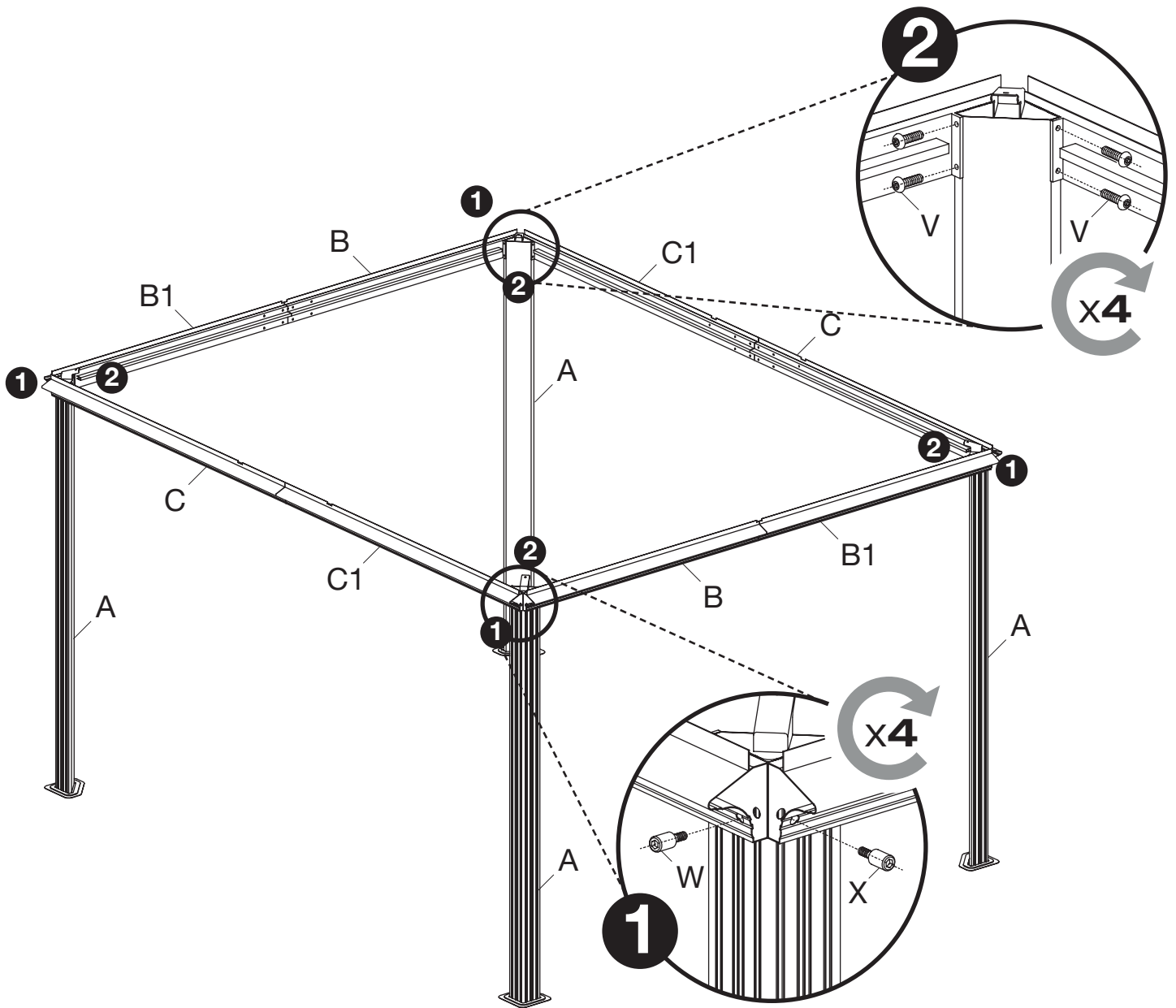




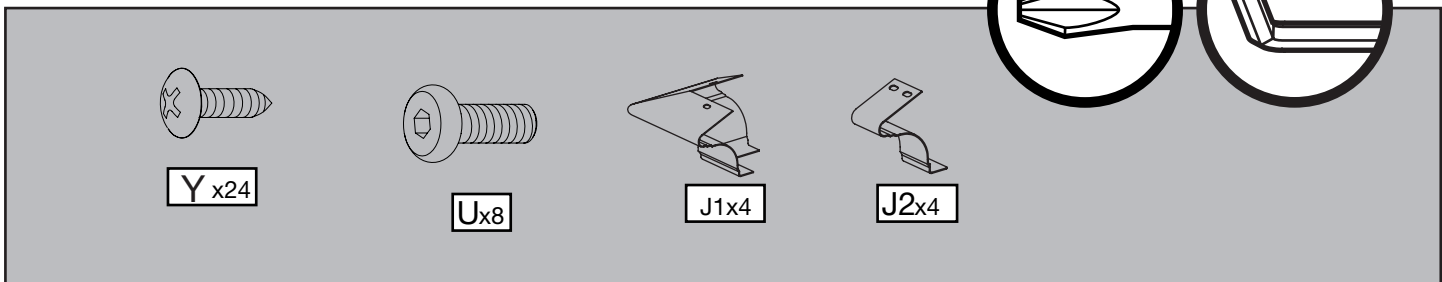
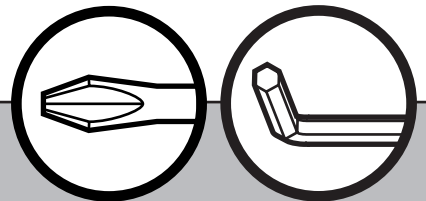
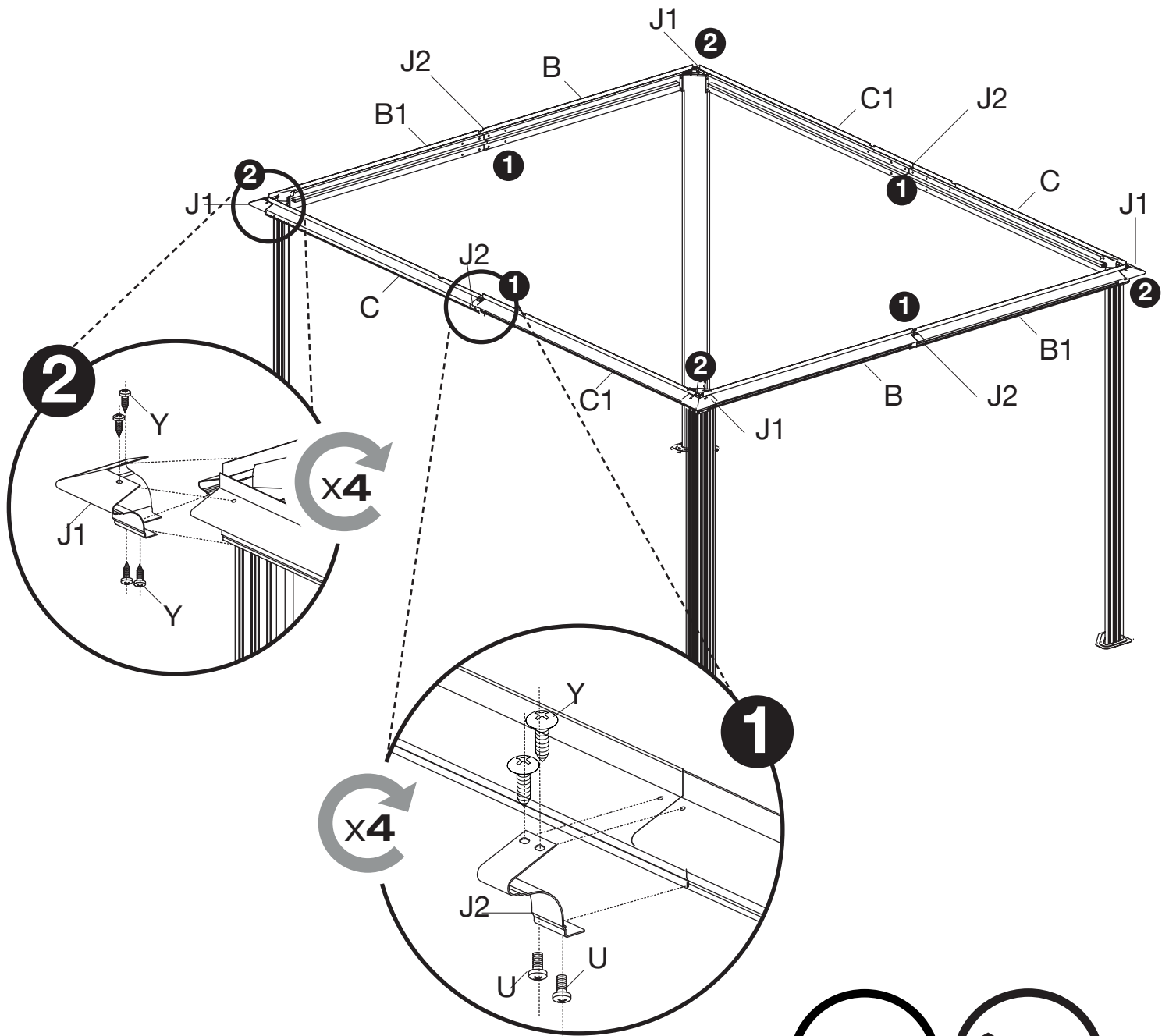


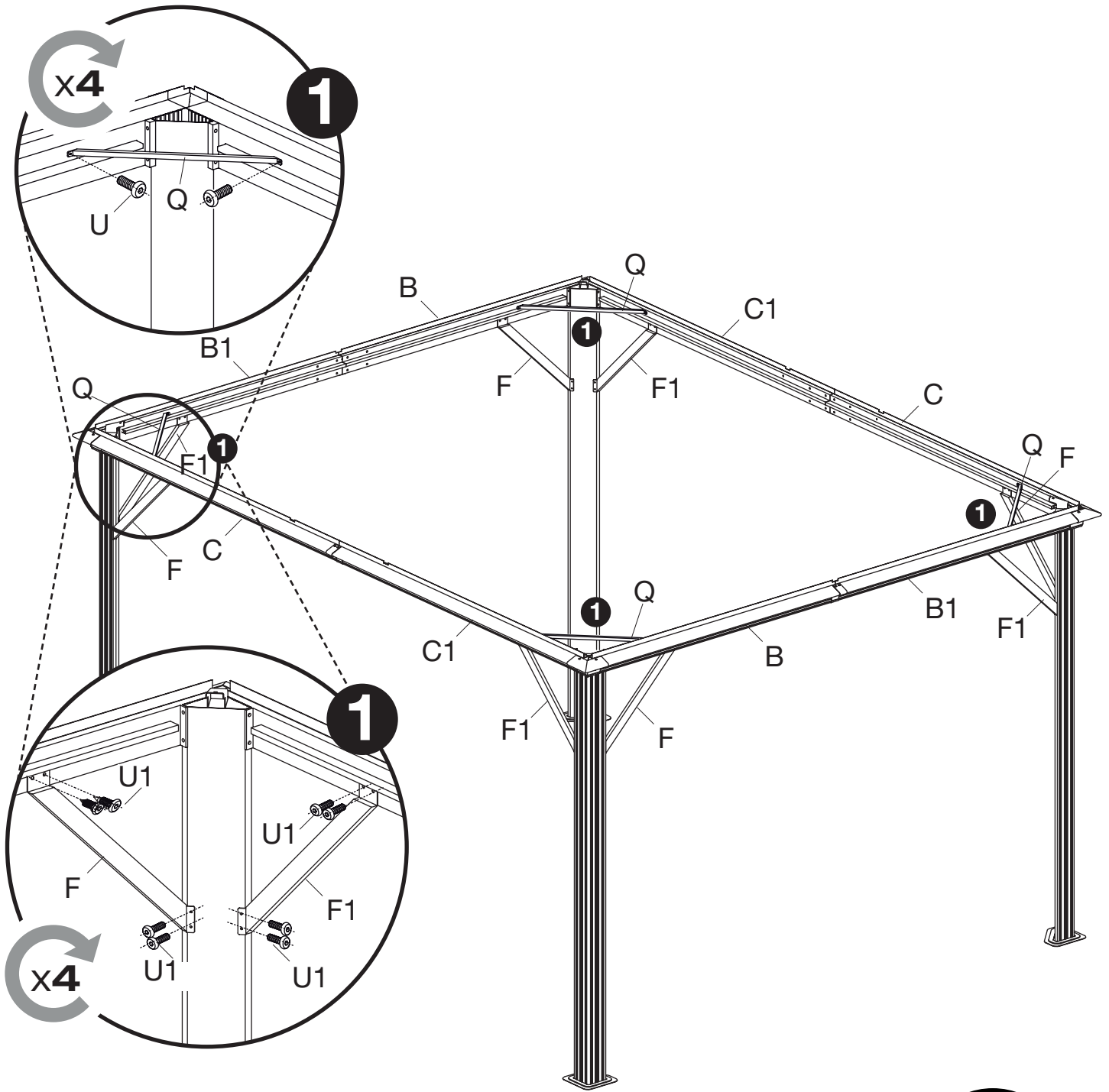






This section contains the parts list for the assembly. It includes two types of screws: a hex-head screw labeled 'W x8' and a flat-head screw labeled 'V x16'. To the right of the screws is a circular icon containing an Allen key, indicating the tool required for the assembly.

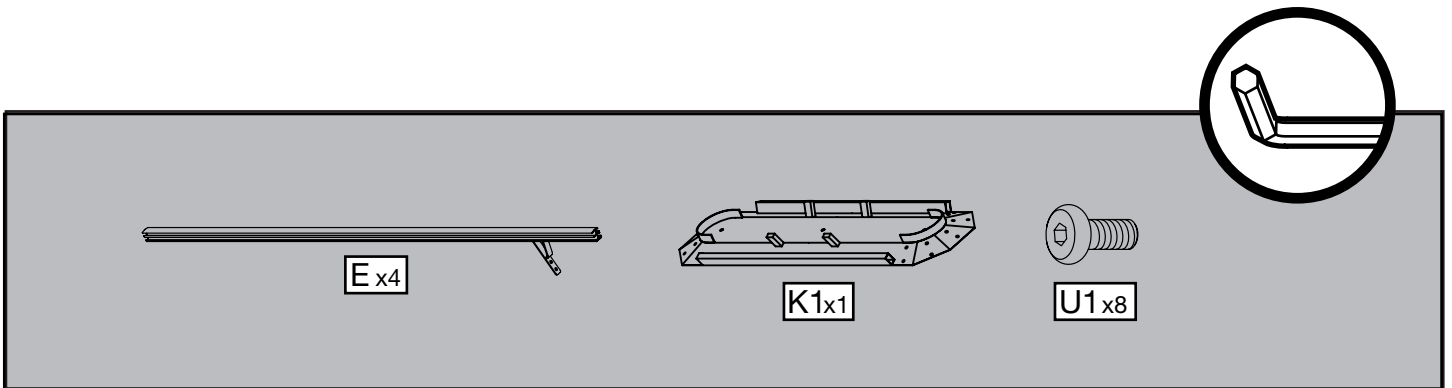
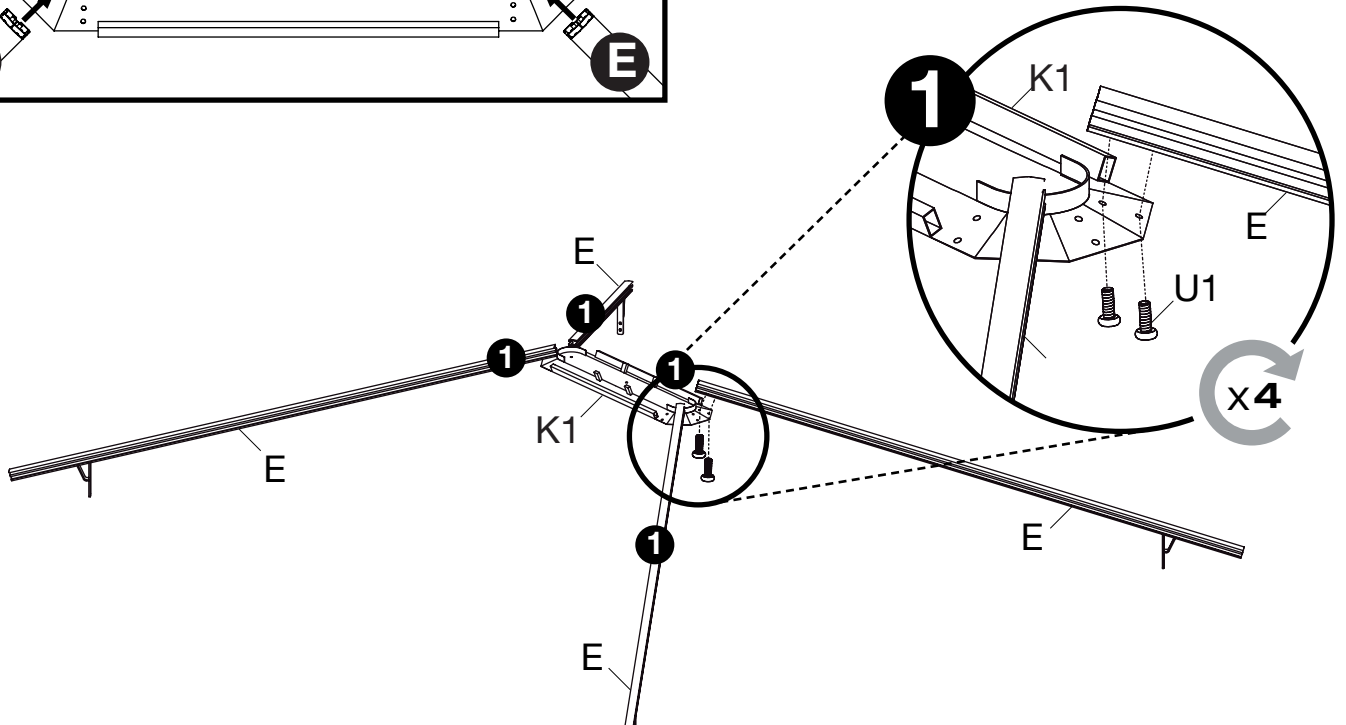
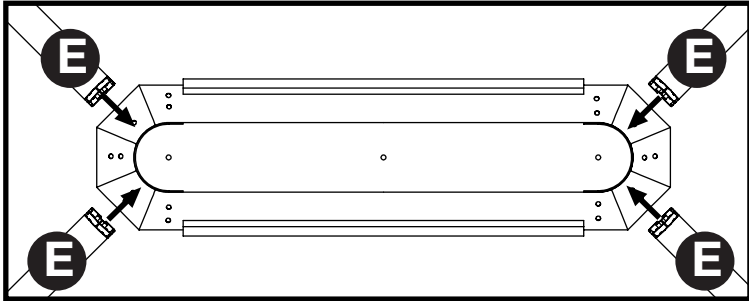


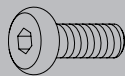
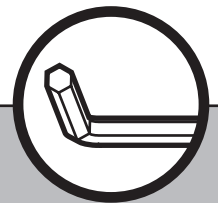
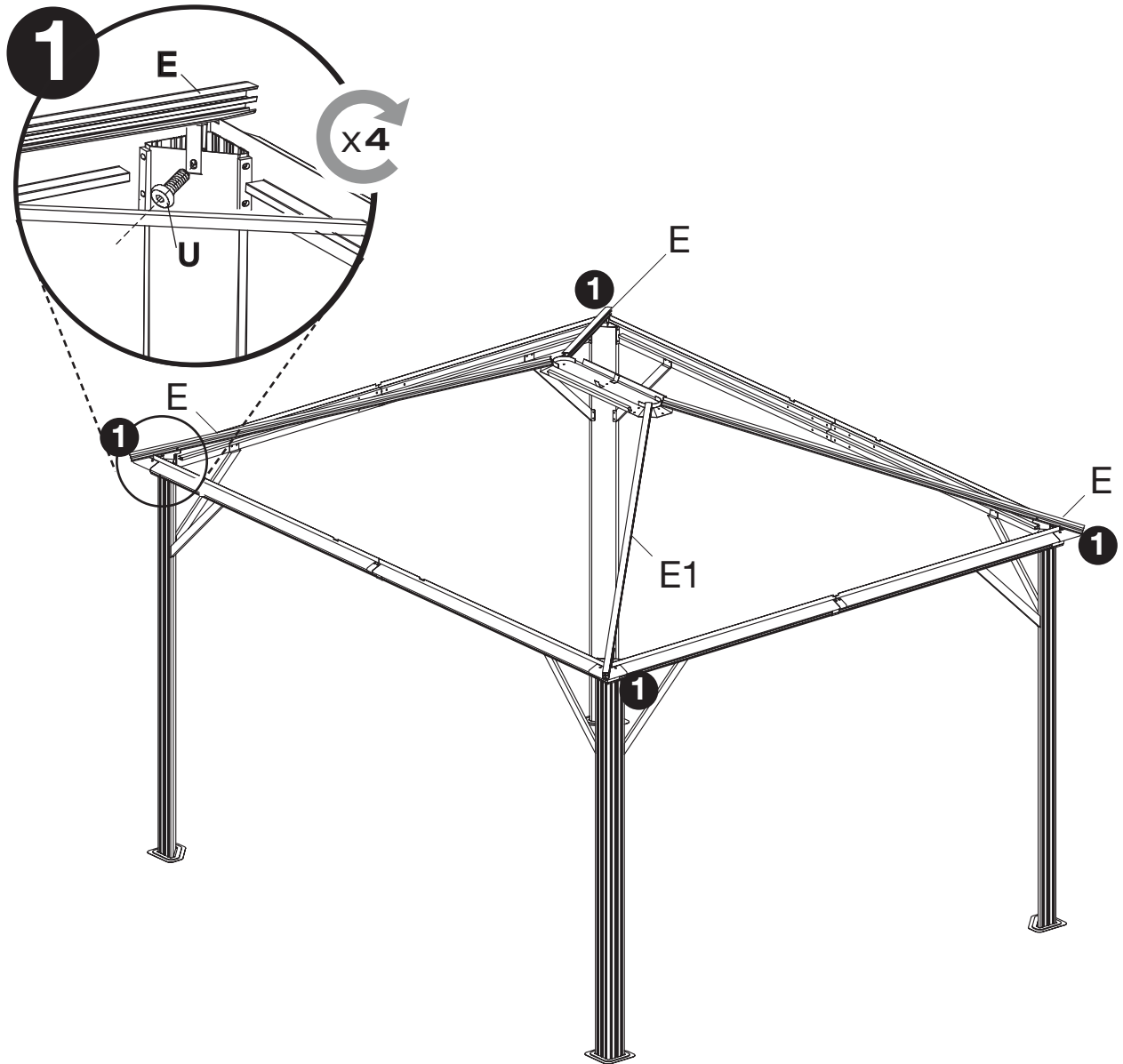


A parts list diagram showing the following components:

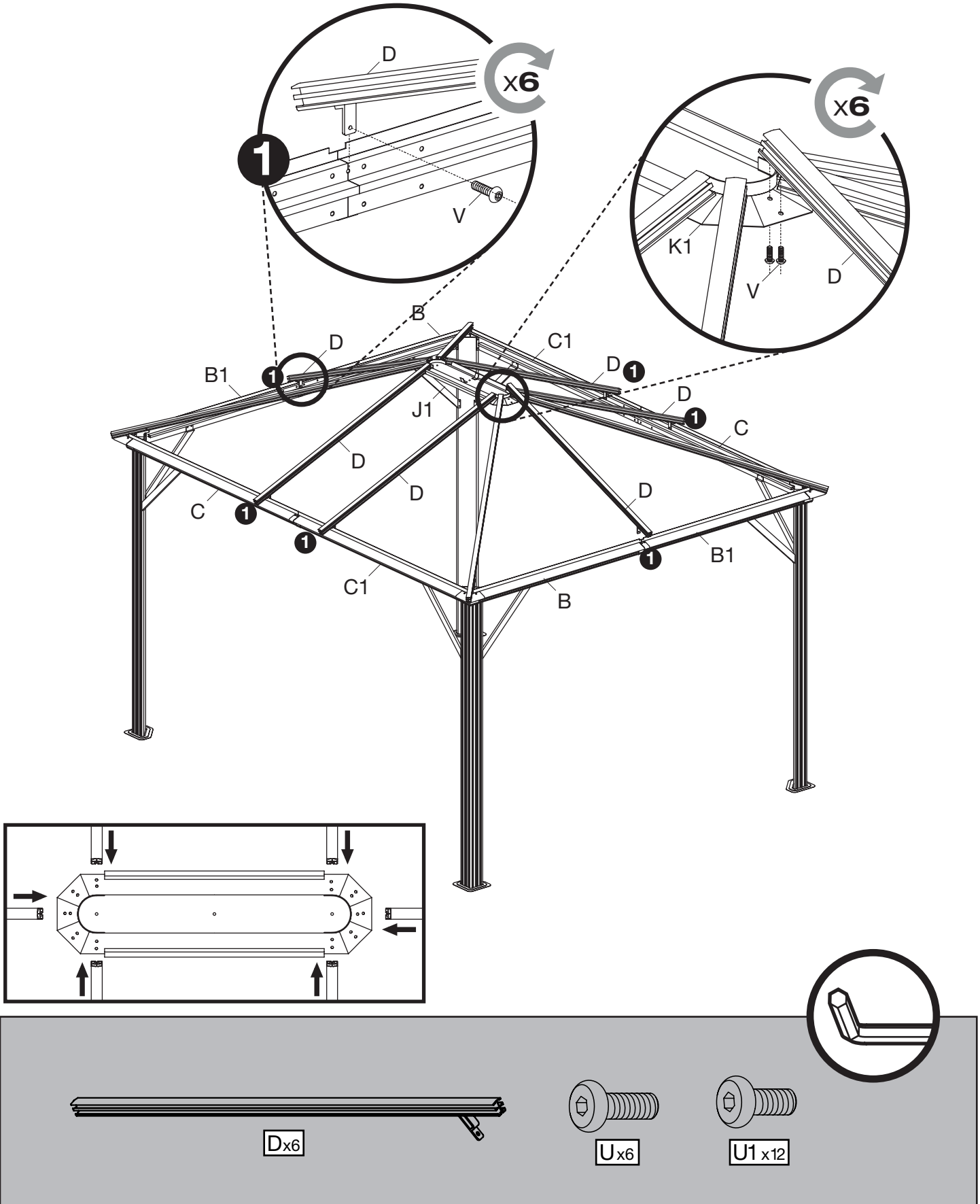
- Two long, thin rectangular pieces labeled **F x4** and **F1 x4**.
- One shorter, thin rectangular piece labeled **Q x4**.
- One hex head bolt labeled **U x8**.
- One hex head bolt labeled **U1 x32**.

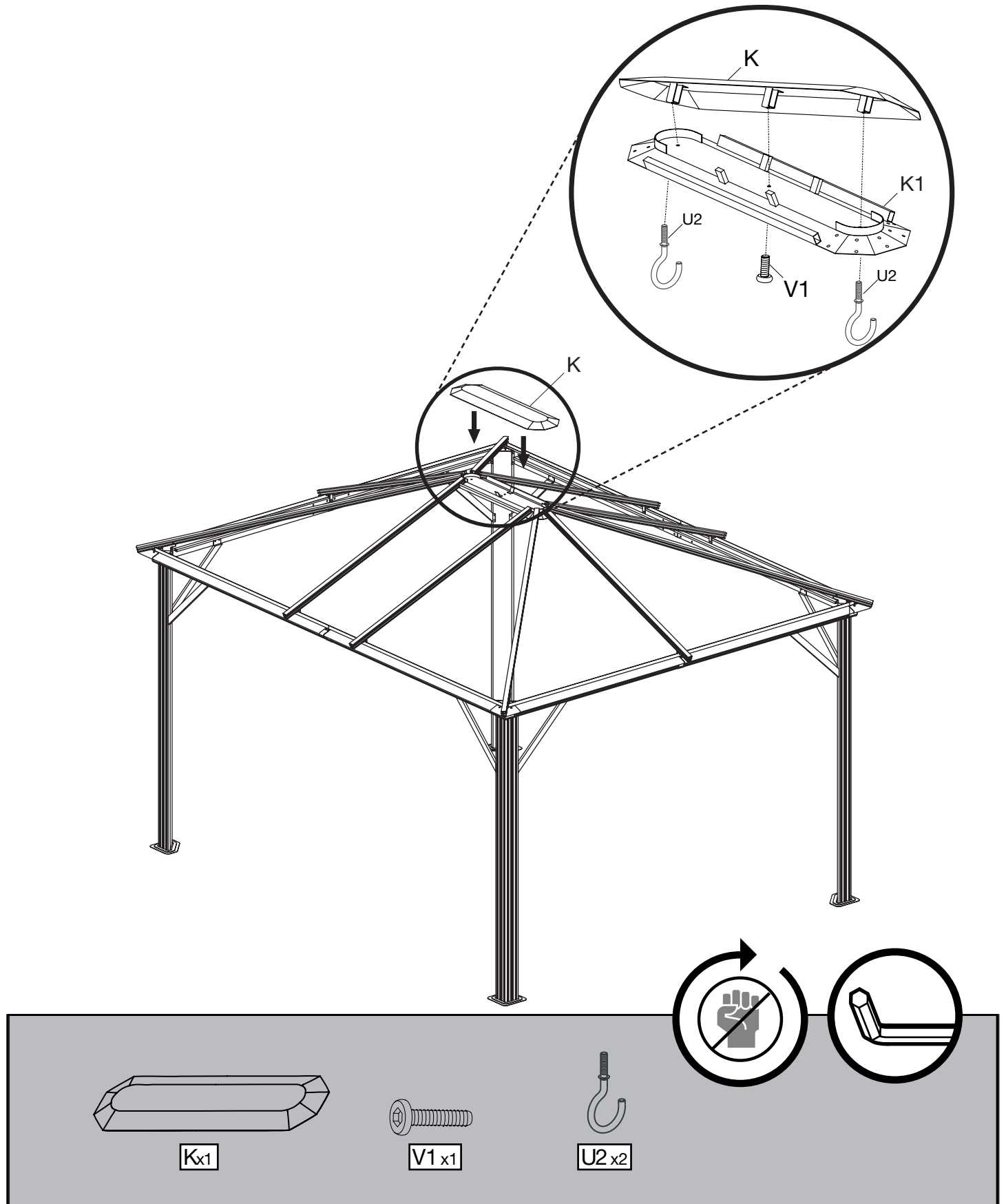
To the right of the parts list is a circular icon containing a small diagram of a bolt being inserted into a hole in a metal piece.



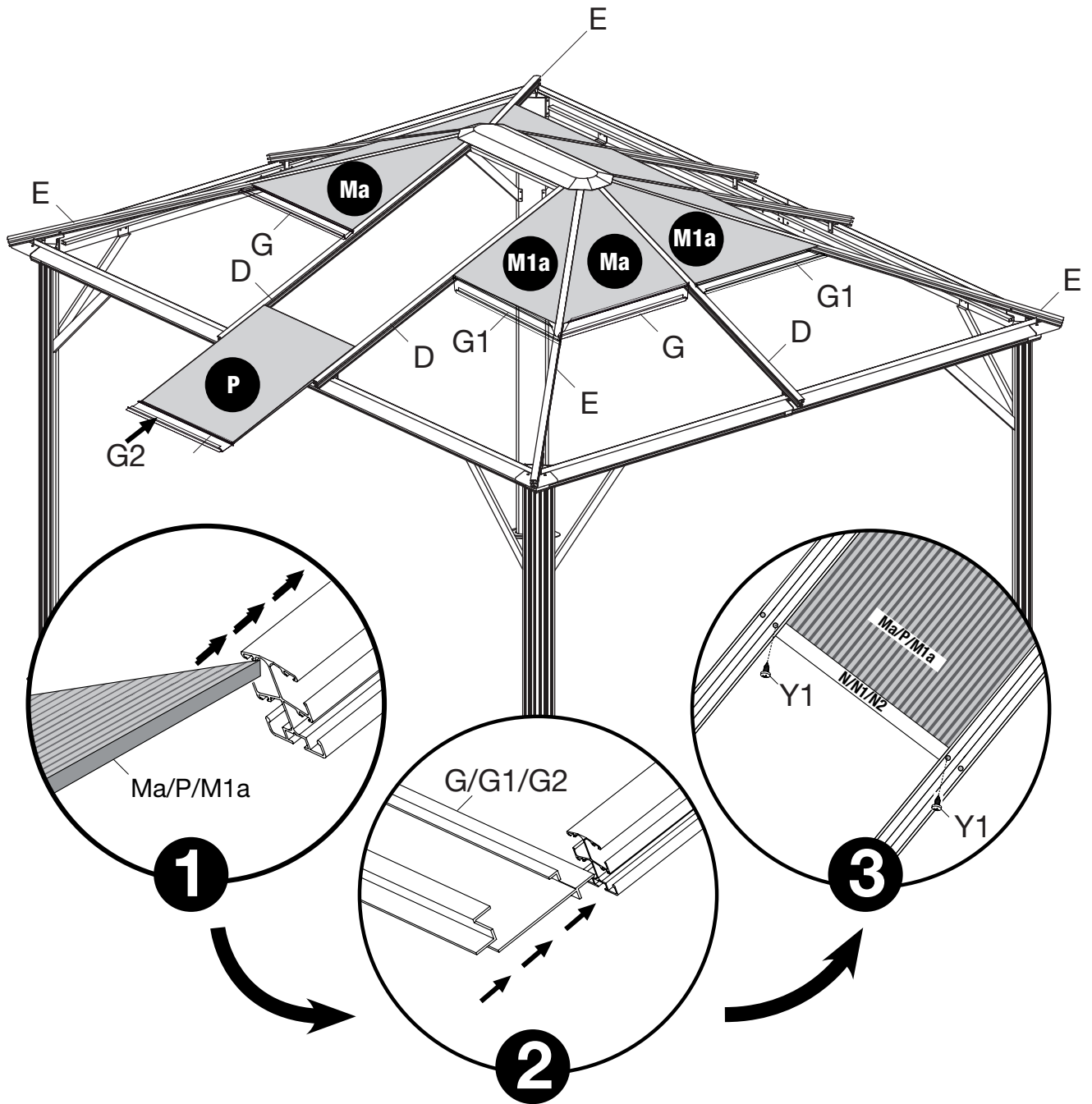


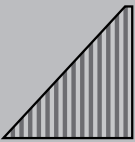
Ux4



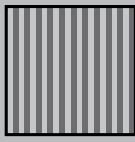




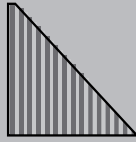




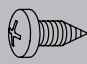
Ma x4




P x2




M1a x4




Y1 x20




G x4

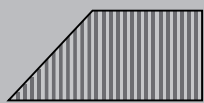
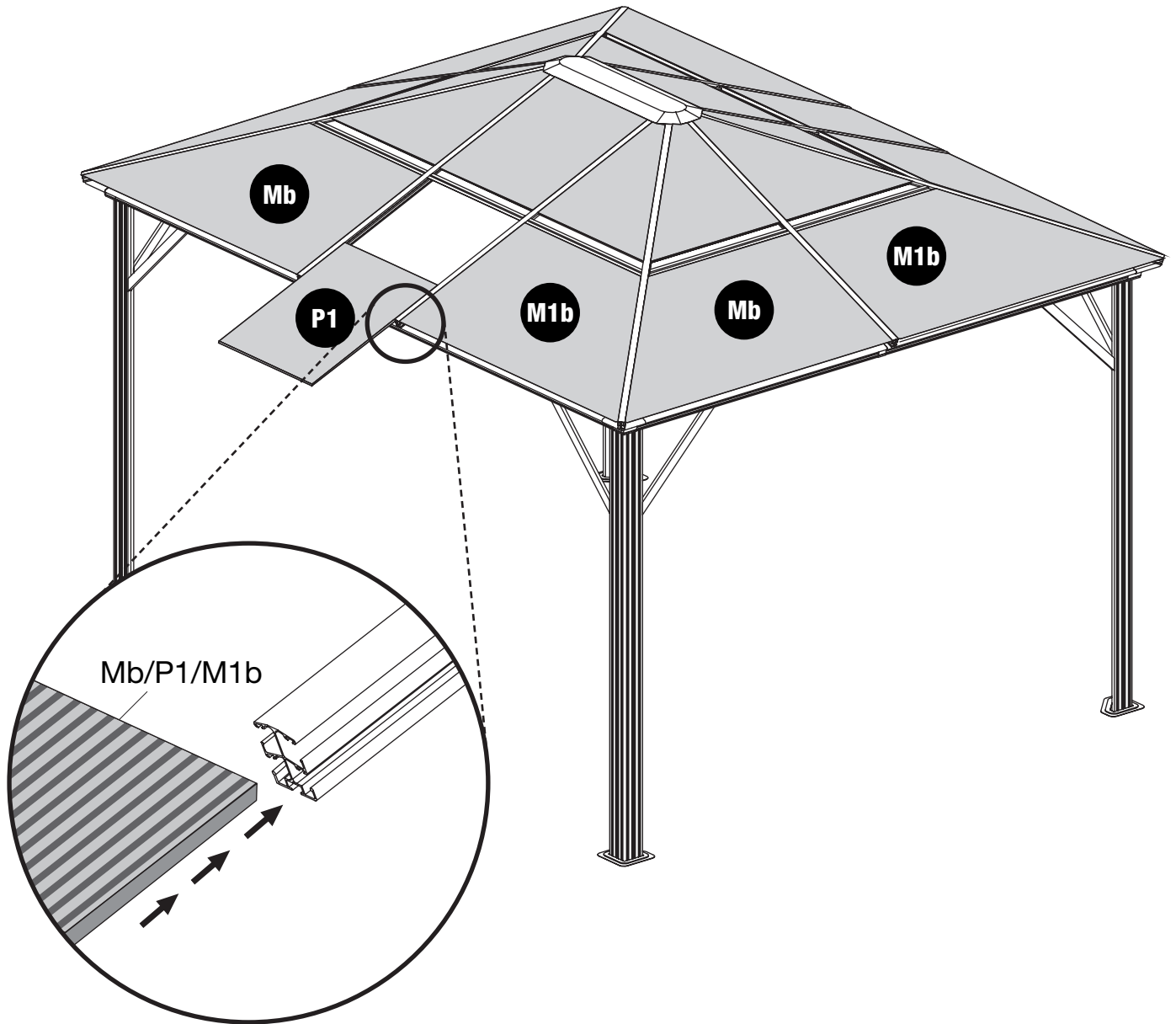


G1 x4



G2 x2

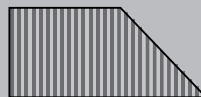




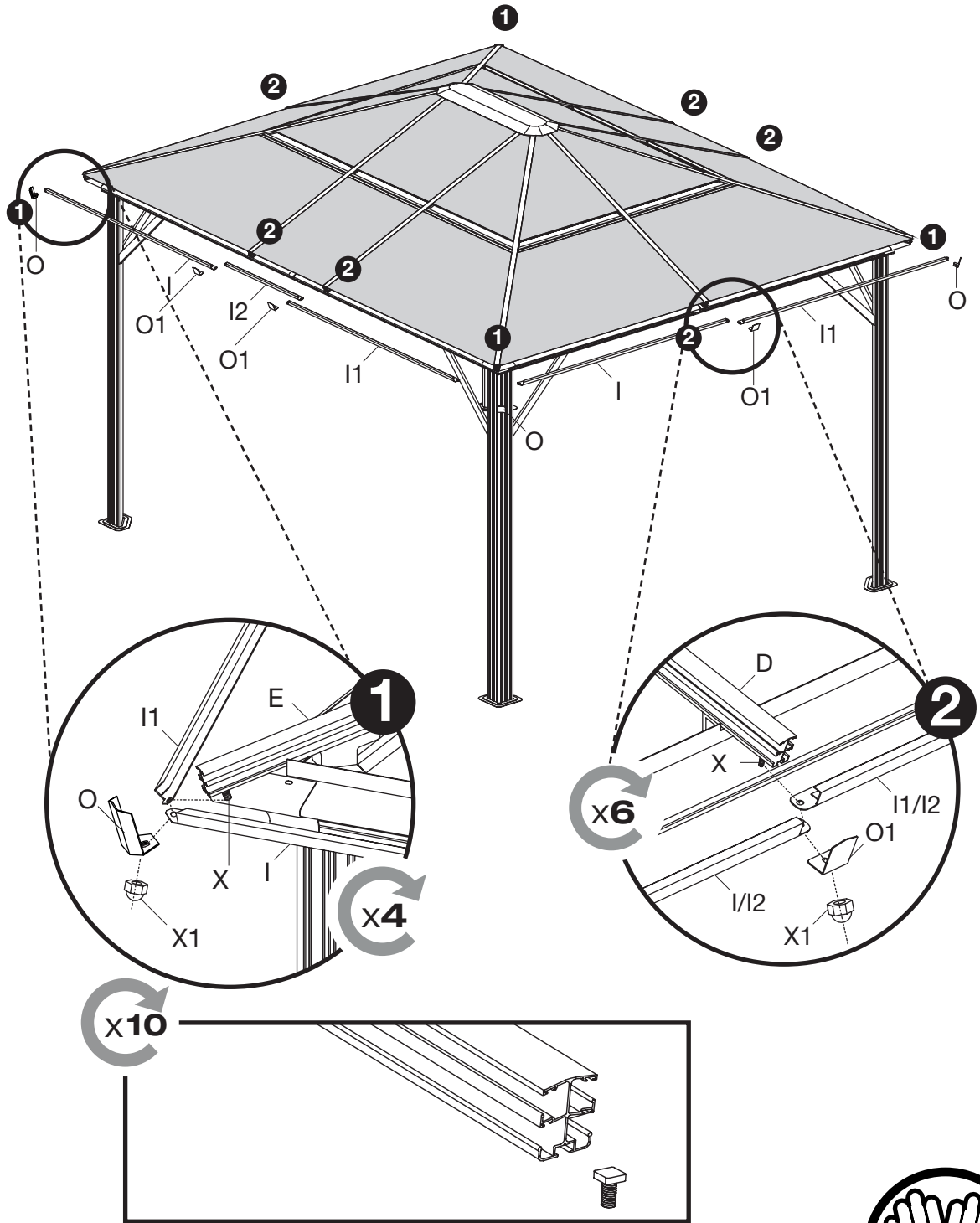
Mb<sub>x4</sub>



P1<sub>x2</sub>



M1b<sub>x4</sub>



I x4



I2 x2



I1 x4



O x4



O1 x6

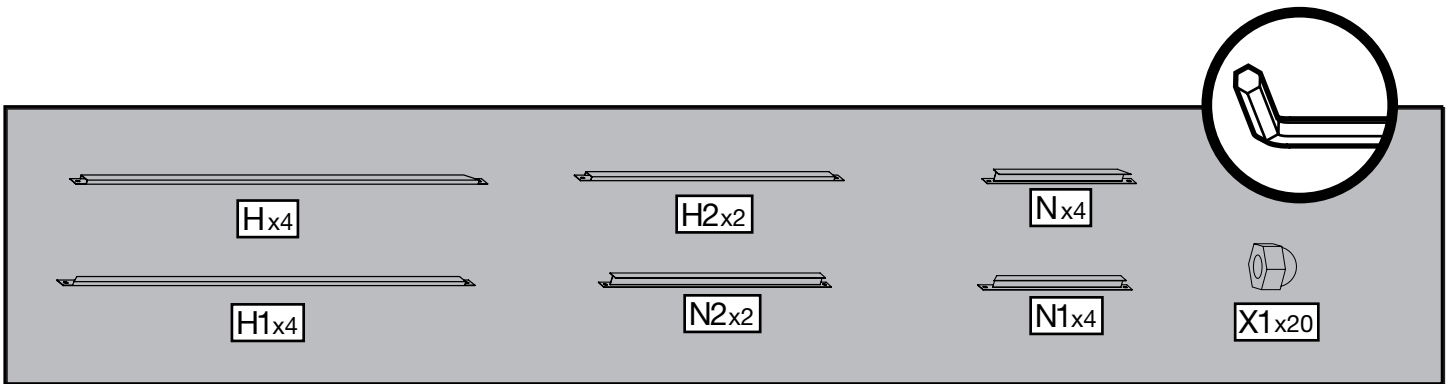
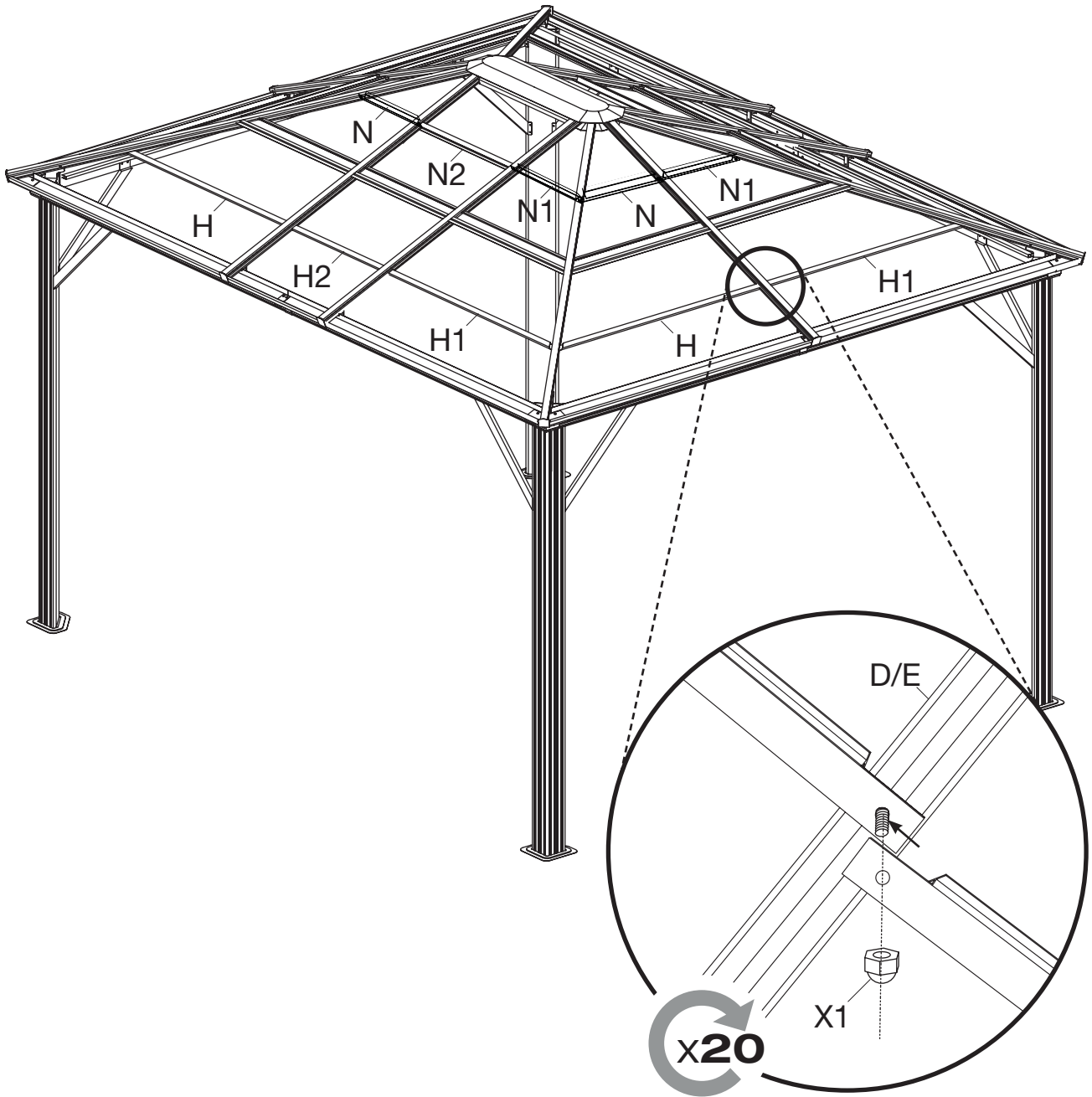


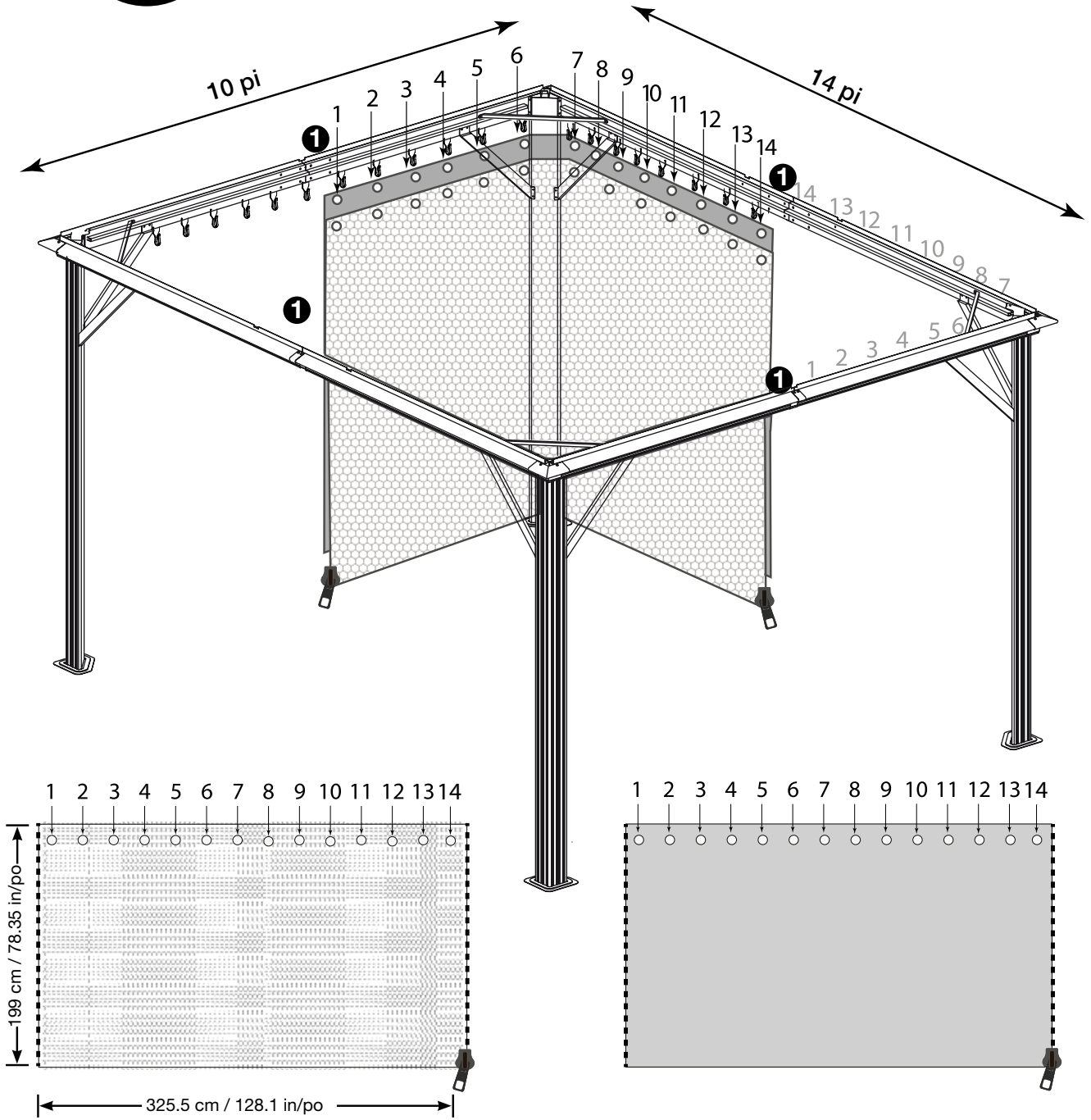
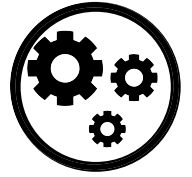
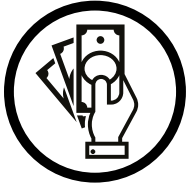
X x10



X1 x10











**SOJAG** ■ I  
produits saisonniers • seasonal products