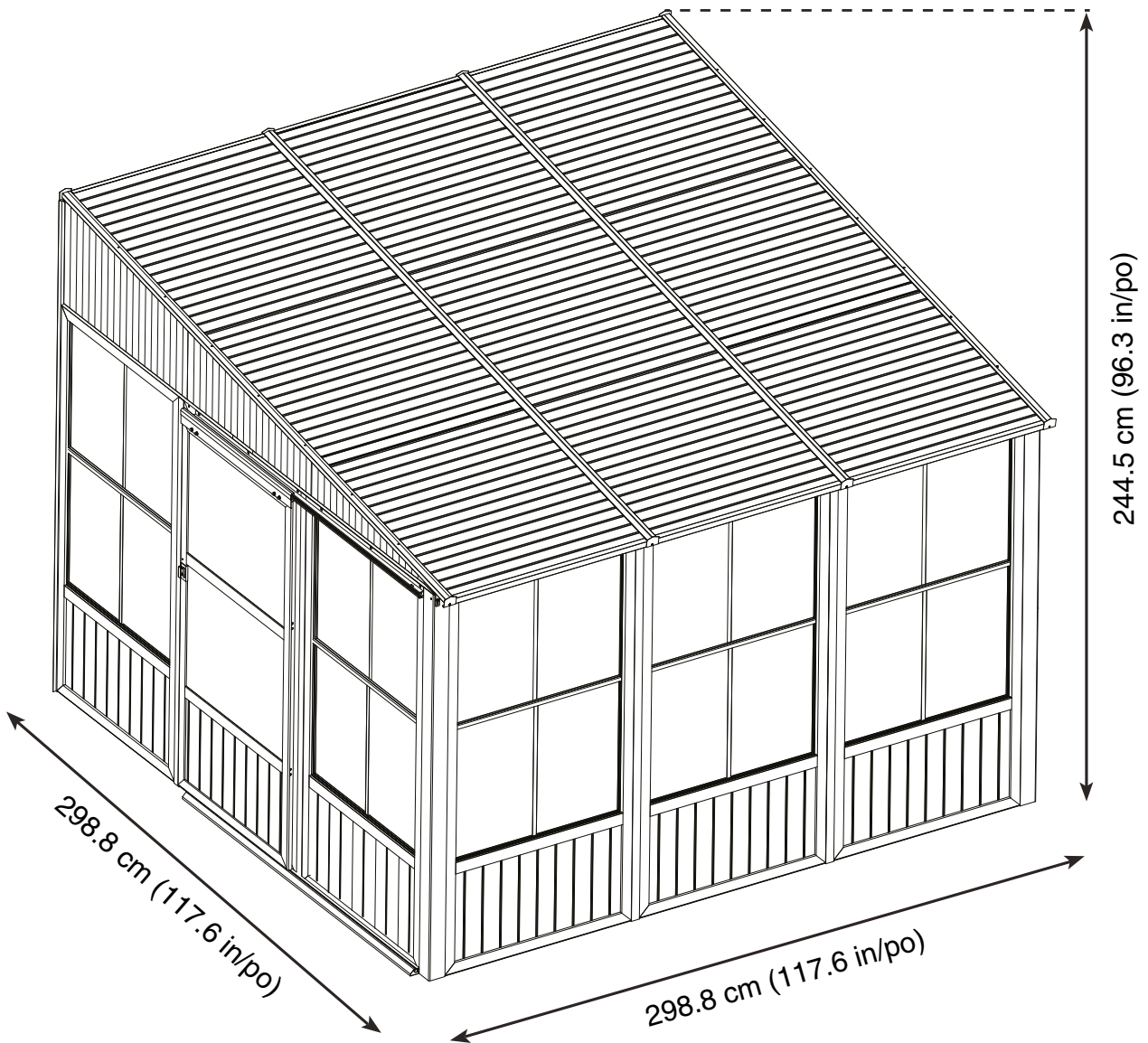
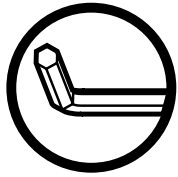


SOJAG

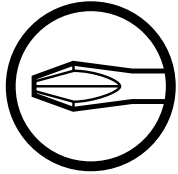
QUESTIONS? 1 866-901-1649

Assembly Manual / Guide d'assemblage / Manual de ensamblaje / 조립설명서 / Montageanleitung





Use the hex keys in the box. / Utilisez les clés hexagonales fournies dans la boîte. / Utilice las llaves hexagonales en la caja. / 상자에 육각 키를 사용 하십시오. / Verwenden Sie die Sechskantschlüssel in der Box.



Please use a Phillips screwdriver. / Utilisez un tournevis de type Phillips / Por favor, use un destornillador Phillips. / 십자 드라이버를 사용 하십시오. / Bitte verwenden Sie einen Kreuzschraubenzieher.



You may need to use a drill for this step. / Vous pouvez avoir besoin d'utiliser une perceuse pour cette étape. / Puede que tenga que utilizar un taladro para este paso. / 이 단계에선 드릴을 사용해야 할 수도 있습니다. / Für diesen Schritt können Sie einen Bohrer verwenden.



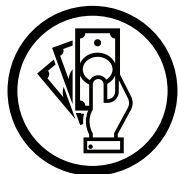
Wearing protective gloves is recommended. / Le port de gants de protection est recommandé / El uso de guantes de protección se recomienda. / 보호 장갑을 착용 하는 것이 좋습니다. / Das Tragen von Schutzhandschuhen wird empfohlen.



Two or more people are required at this stage. / Deux personnes ou plus sont nécessaires à cette étape. / Dos o más personas se requieren en esta etapa. / 이 단계에서는 두 명 이상 이 필요합니다. / Für diesen Bauschritt sind 2 oder mehr Personen erforderlich.



Do not tighten screws all the way for now. / Ne pas visser fermement pour l'instant. / No atornille con firmeza por ahora. / 아직 나사를 단단히 조이지 마십시오. / Bitte die Schrauben zum jetzigen Zeitpunkt noch nicht fest anziehen.

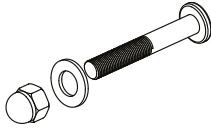


Sold separately. / Vendus séparément. / vendido en las opciones. / 옵션 판매 / Optional erhältlich

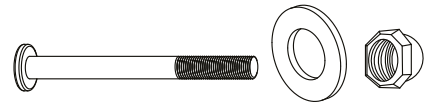


Optional step / Étape optionnelle / Paso opcional / 선택적 단계 / Optionaler Schritt

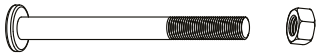
B6 X 4 (EXTRA1 pcs)



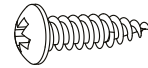
Ha X 6 (EXTRA1 pcs)



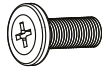
Hb X 6 (EXTRA1 pcs)



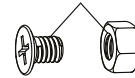
Hc X22 (EXTRA 4 pcs)



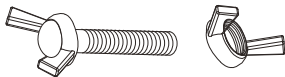
Hd X 32 (EXTRA 3 pcs)



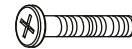
He X 12 (EXTRA 3 pcs)



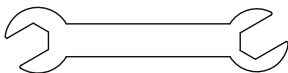
Hf X 1 (EXTRA1 pcs)



Hg X 14 (EXTRA 3 pcs)



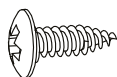
Hh X 1

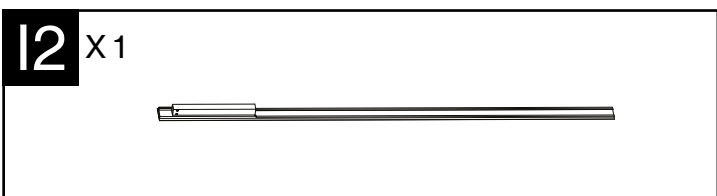
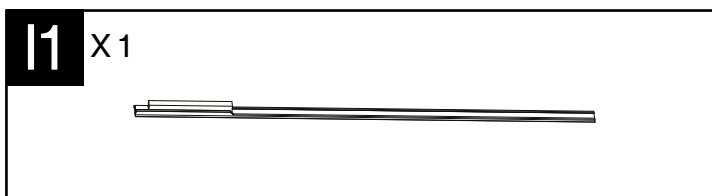
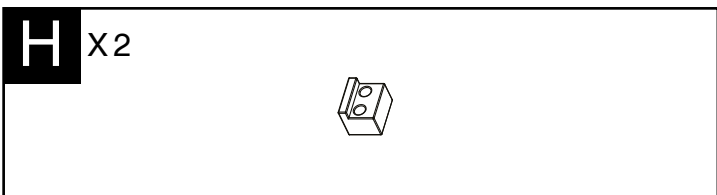
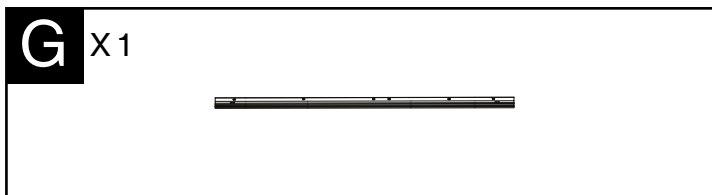
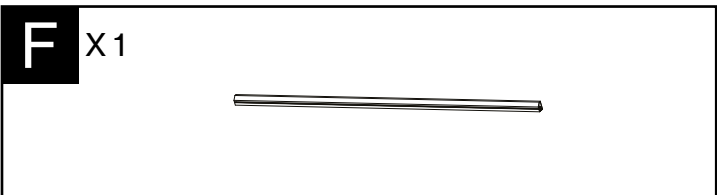
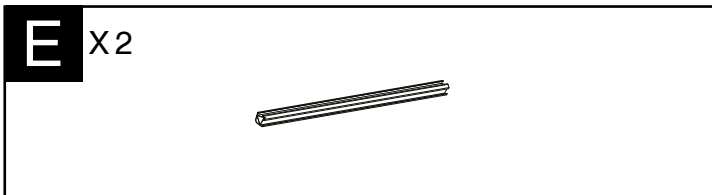
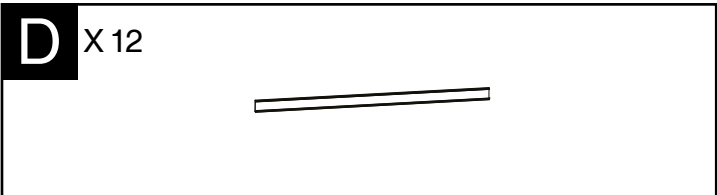
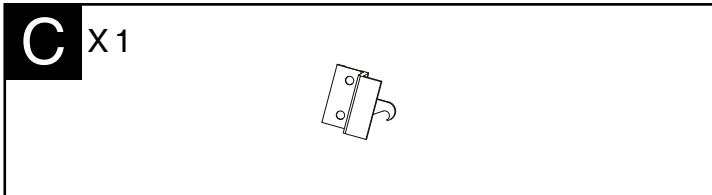
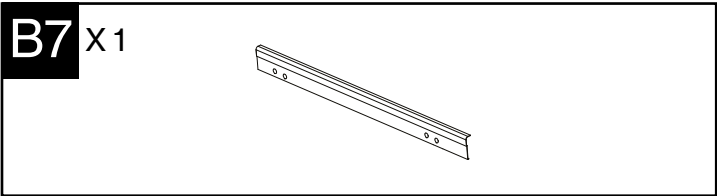
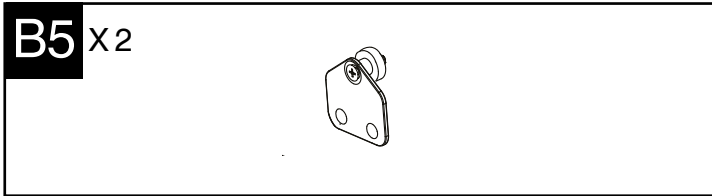
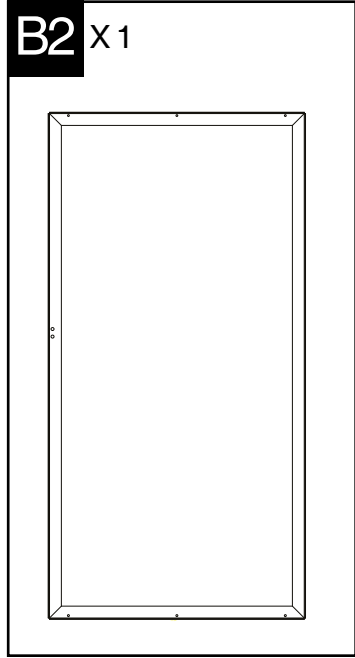
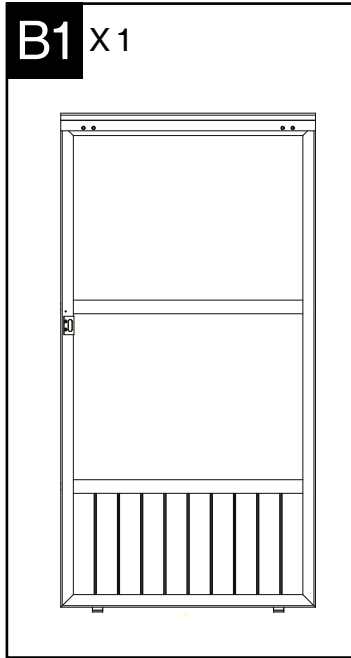
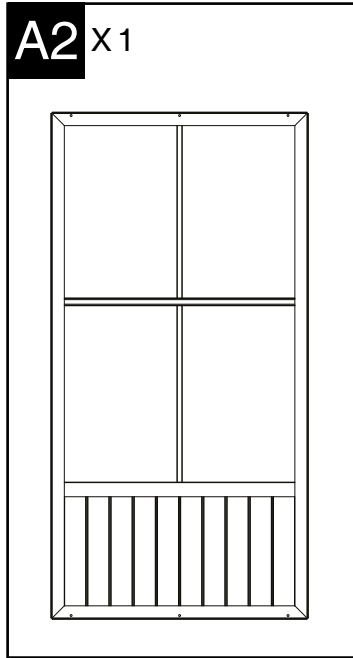
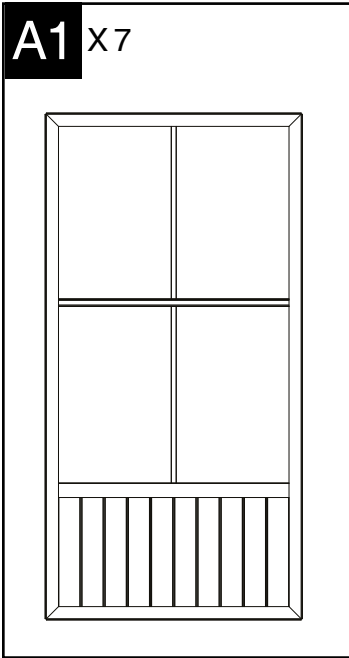


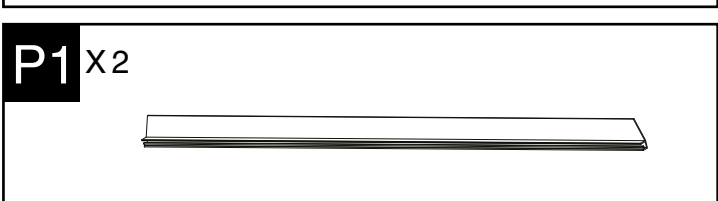
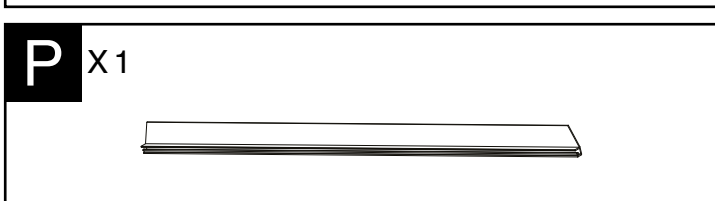
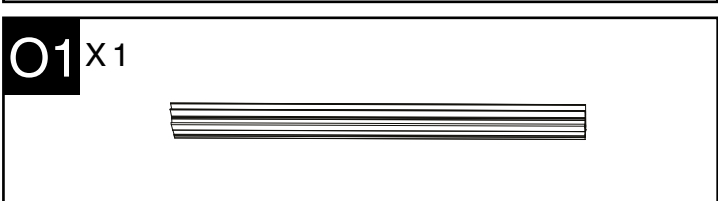
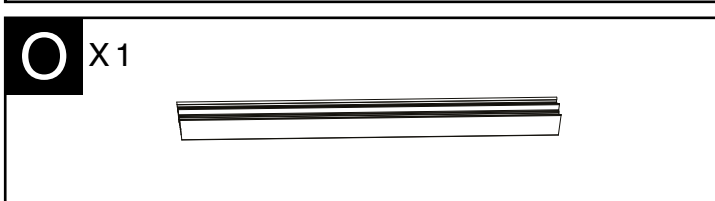
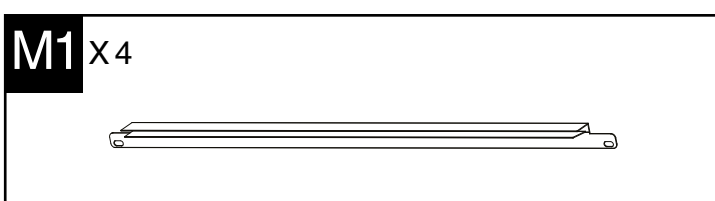
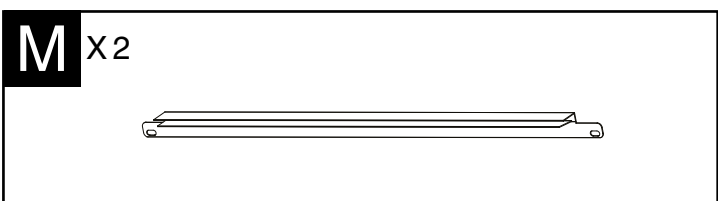
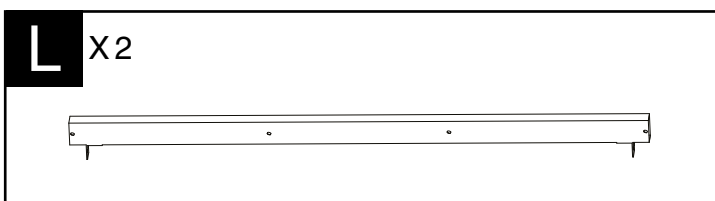
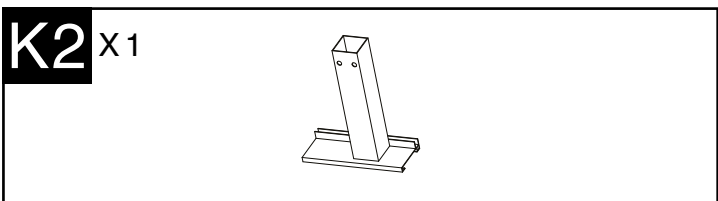
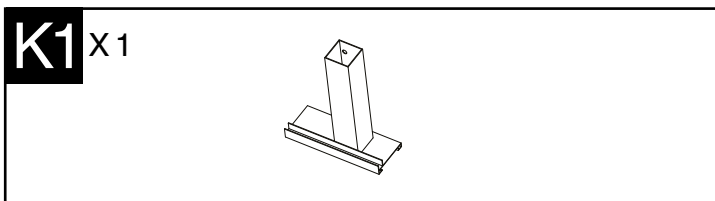
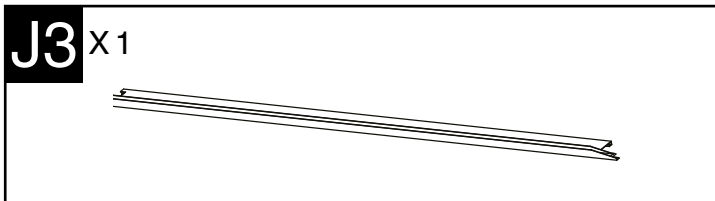
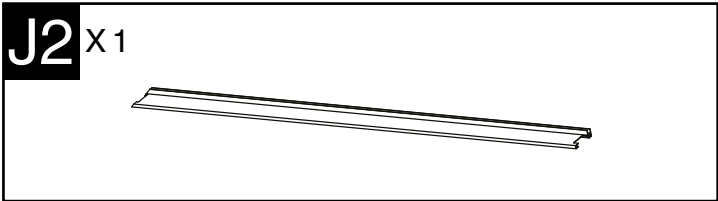
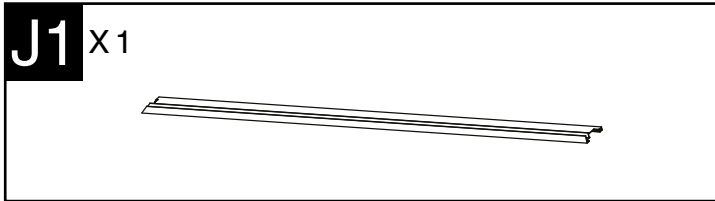
Hi X 4 (EXTRA 1 pcs)



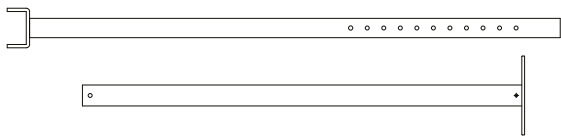
Hk X 4 (EXTRA 1 pcs)







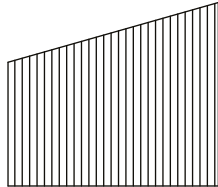
R X1



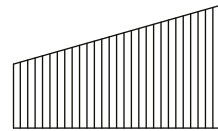
S X8



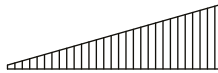
V1 X1



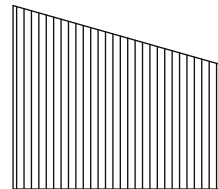
V2 X1



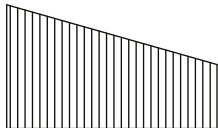
V3 X1



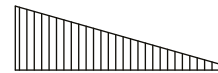
V4 X1



V5 X1



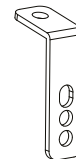
V6 X1



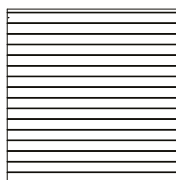
T X2



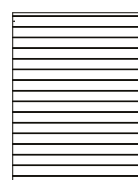
U X10

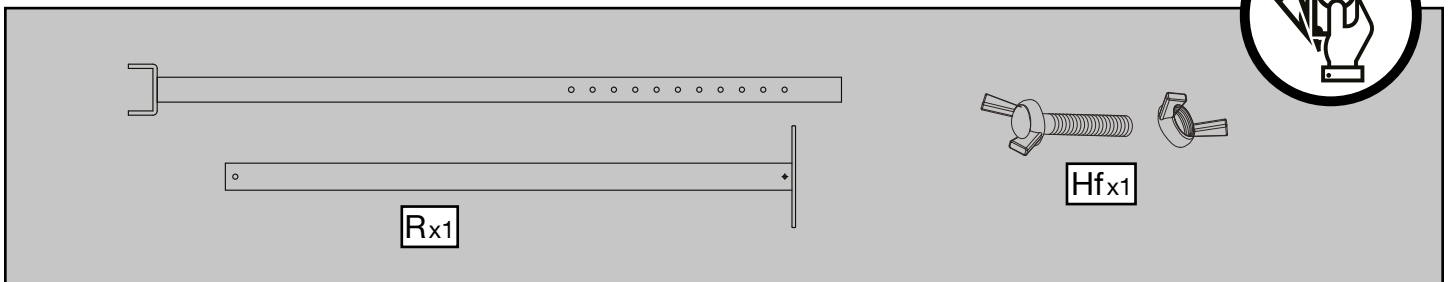
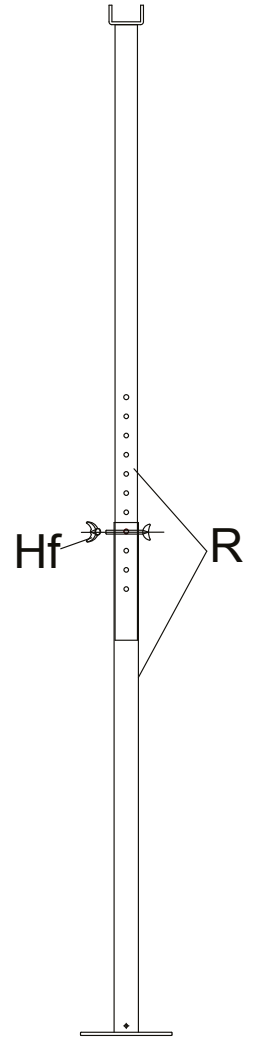
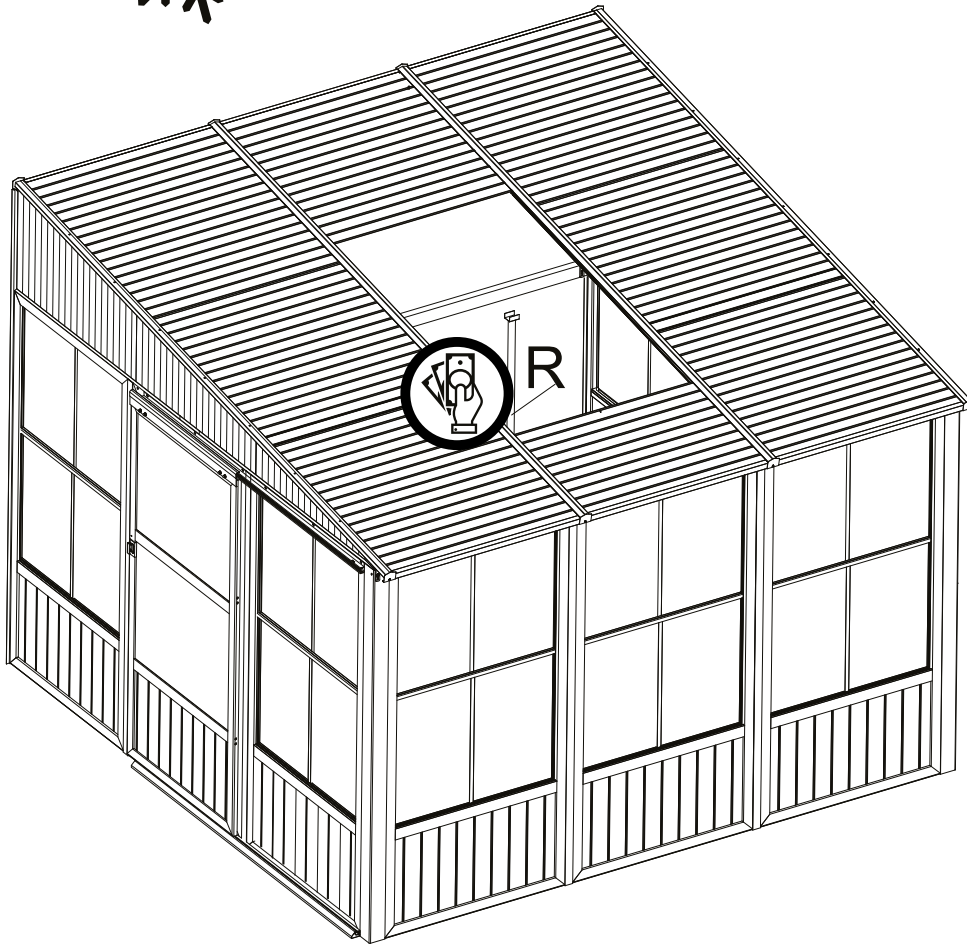
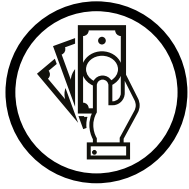


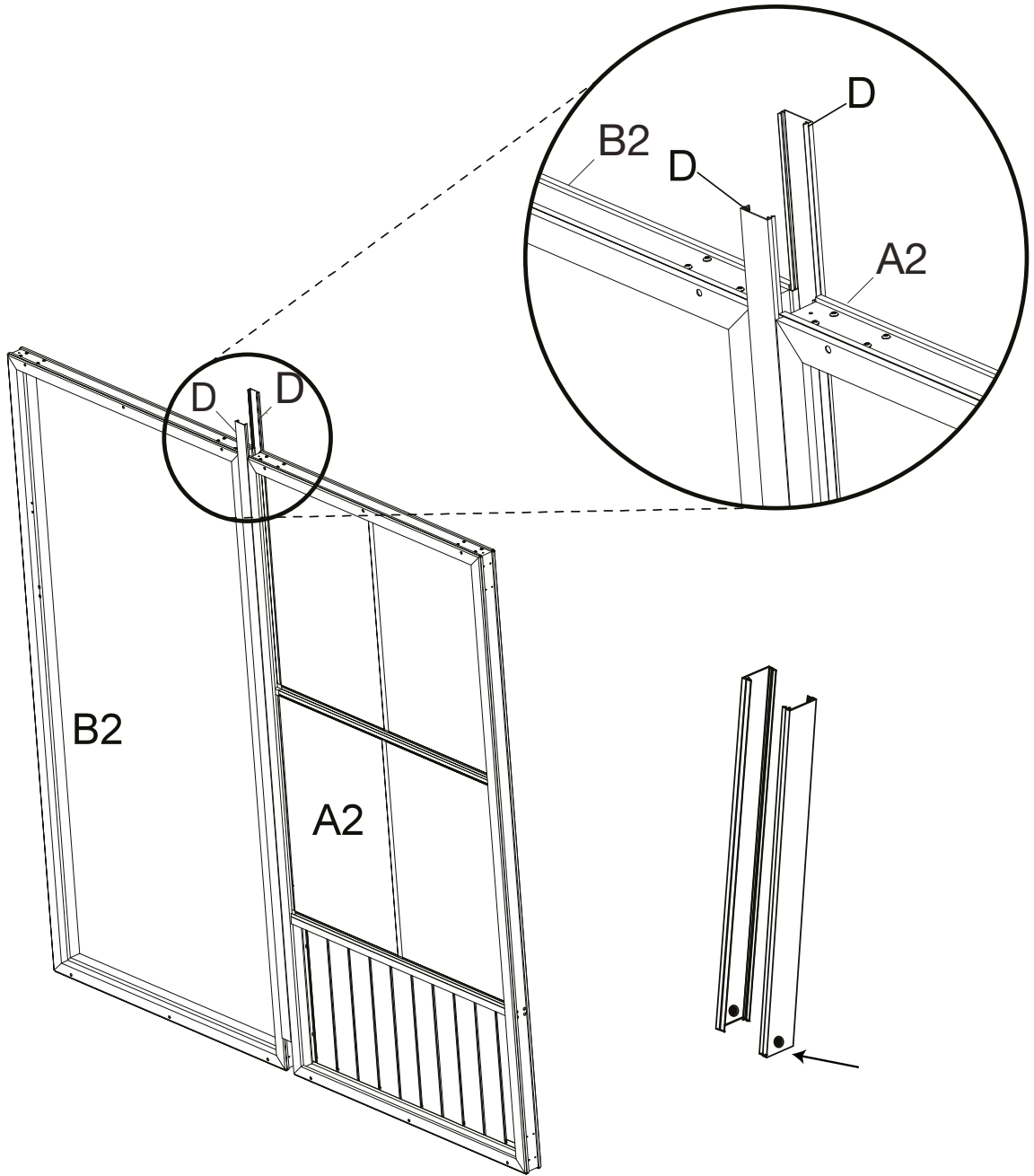
W X6



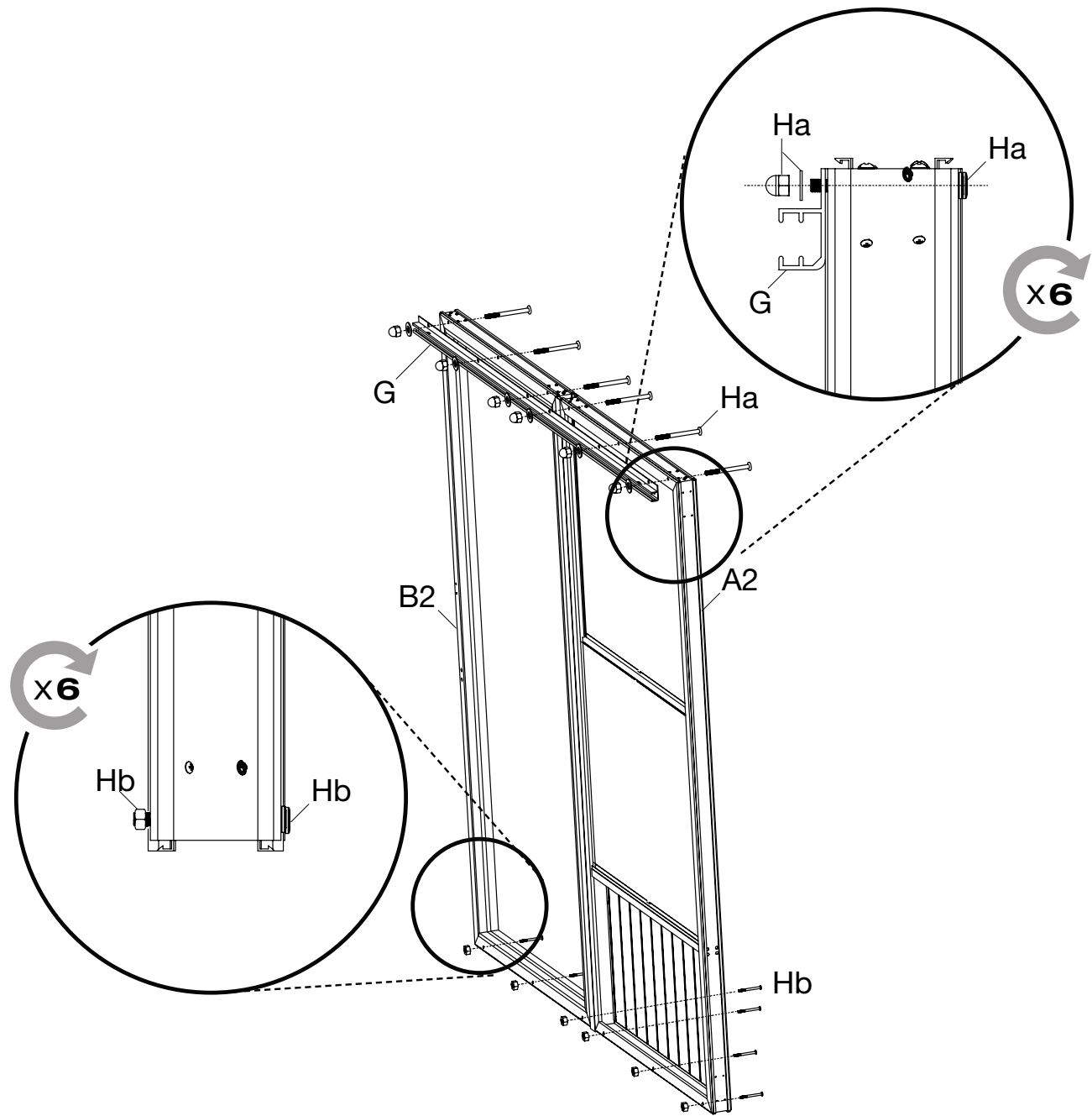
W1 X3







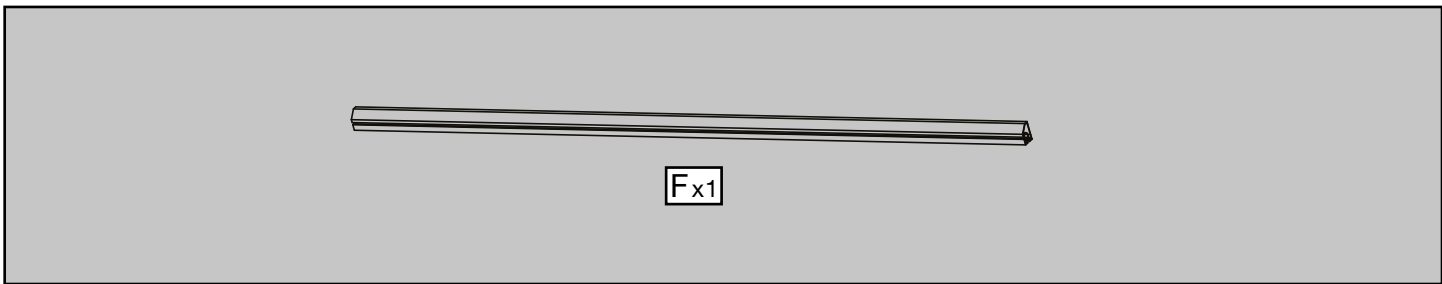
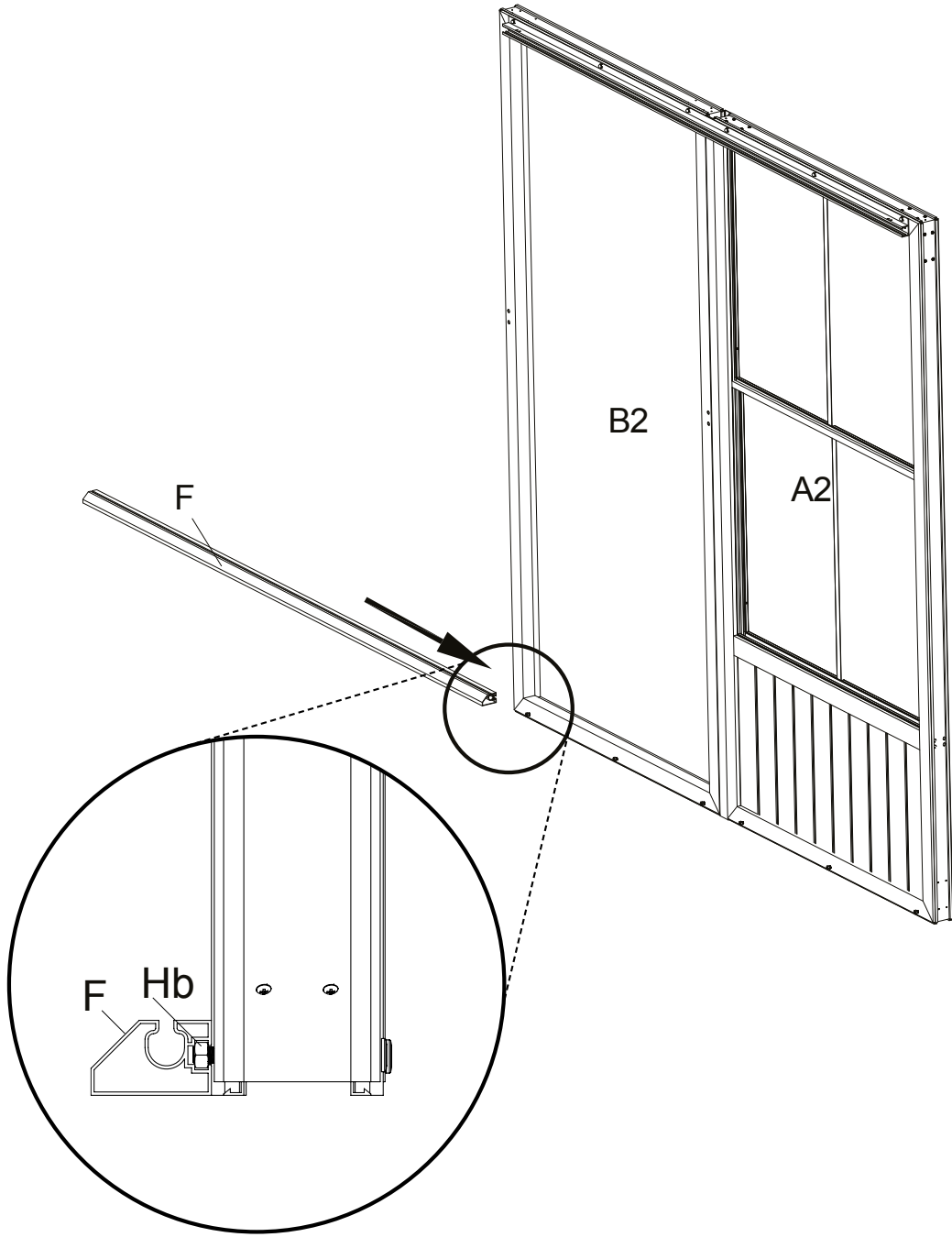
This section contains a parts list and an icon. On the left, there are two window icons: one with a bottom grille labeled A2x1, and one without labeled B2x1. In the center, there is a long, thin rectangular component labeled Dx2. On the right, there is a circular icon containing two stylized human figures and the text 2+.

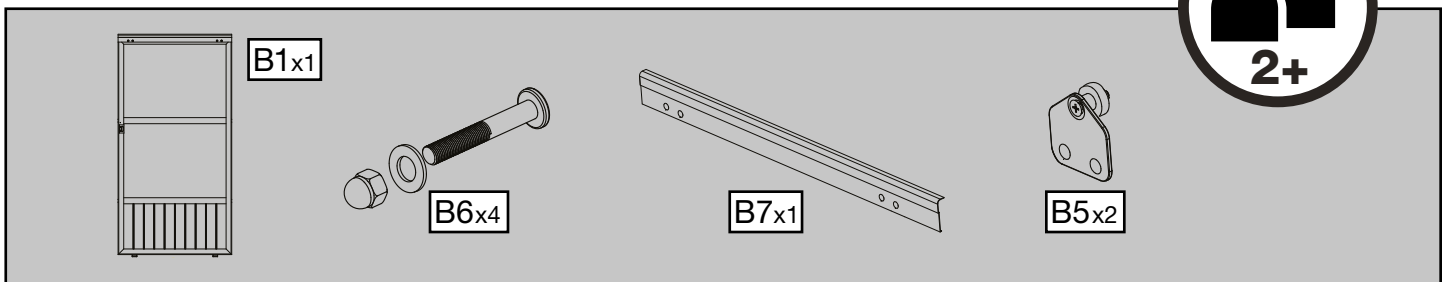
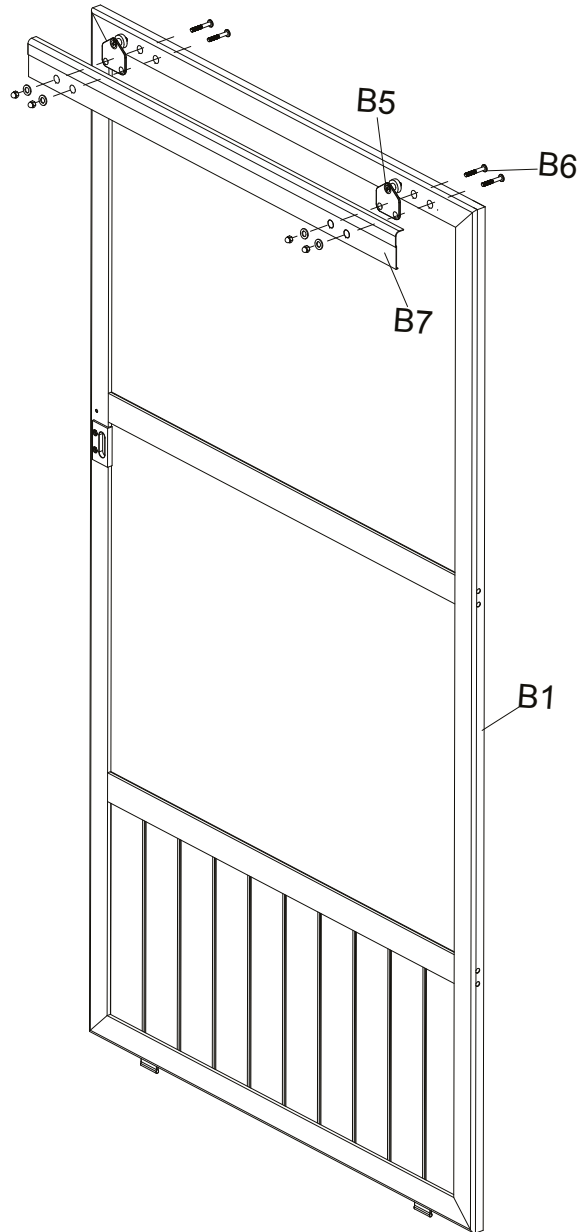


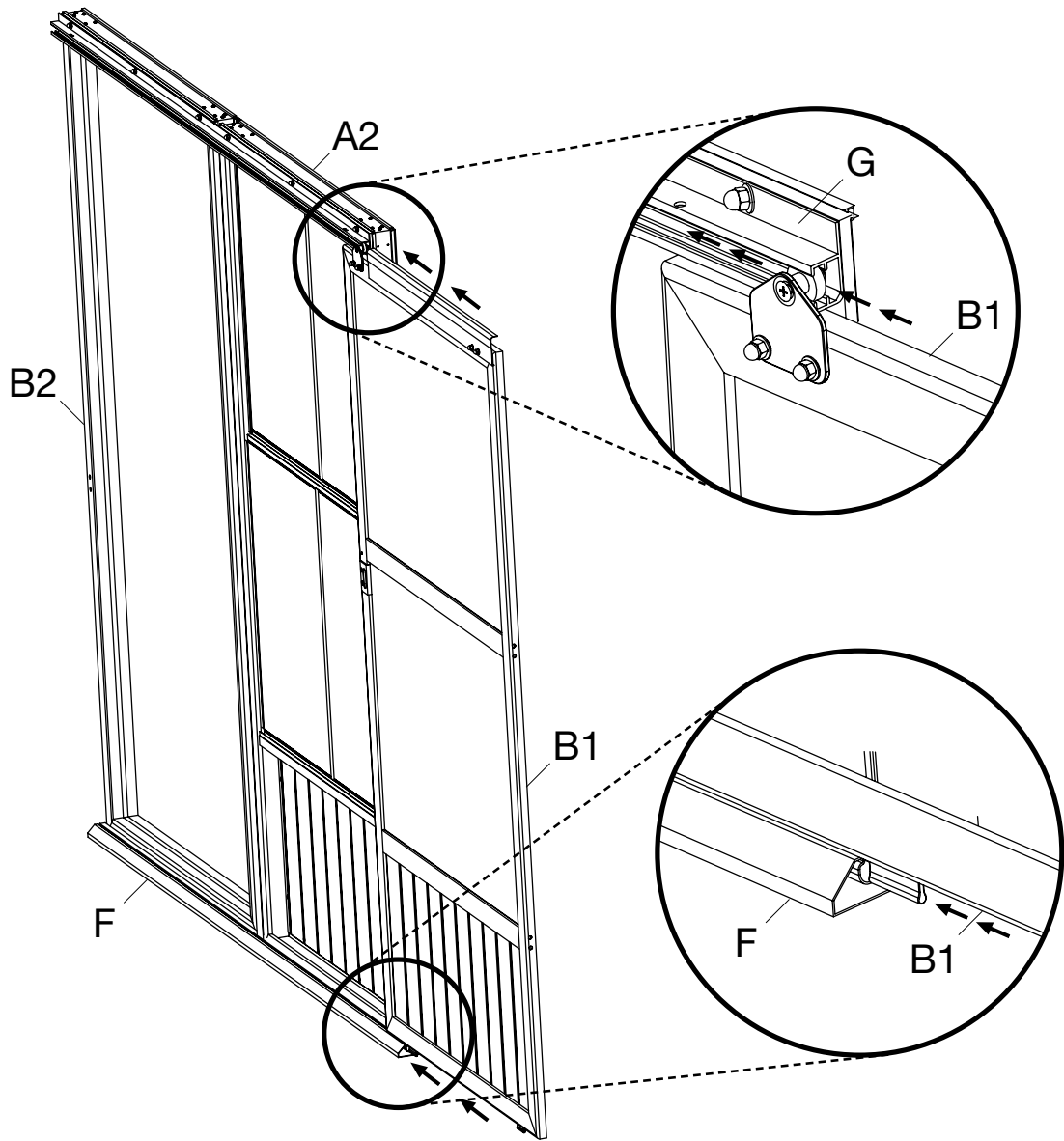
This section lists the required parts for the assembly step:

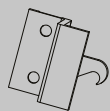
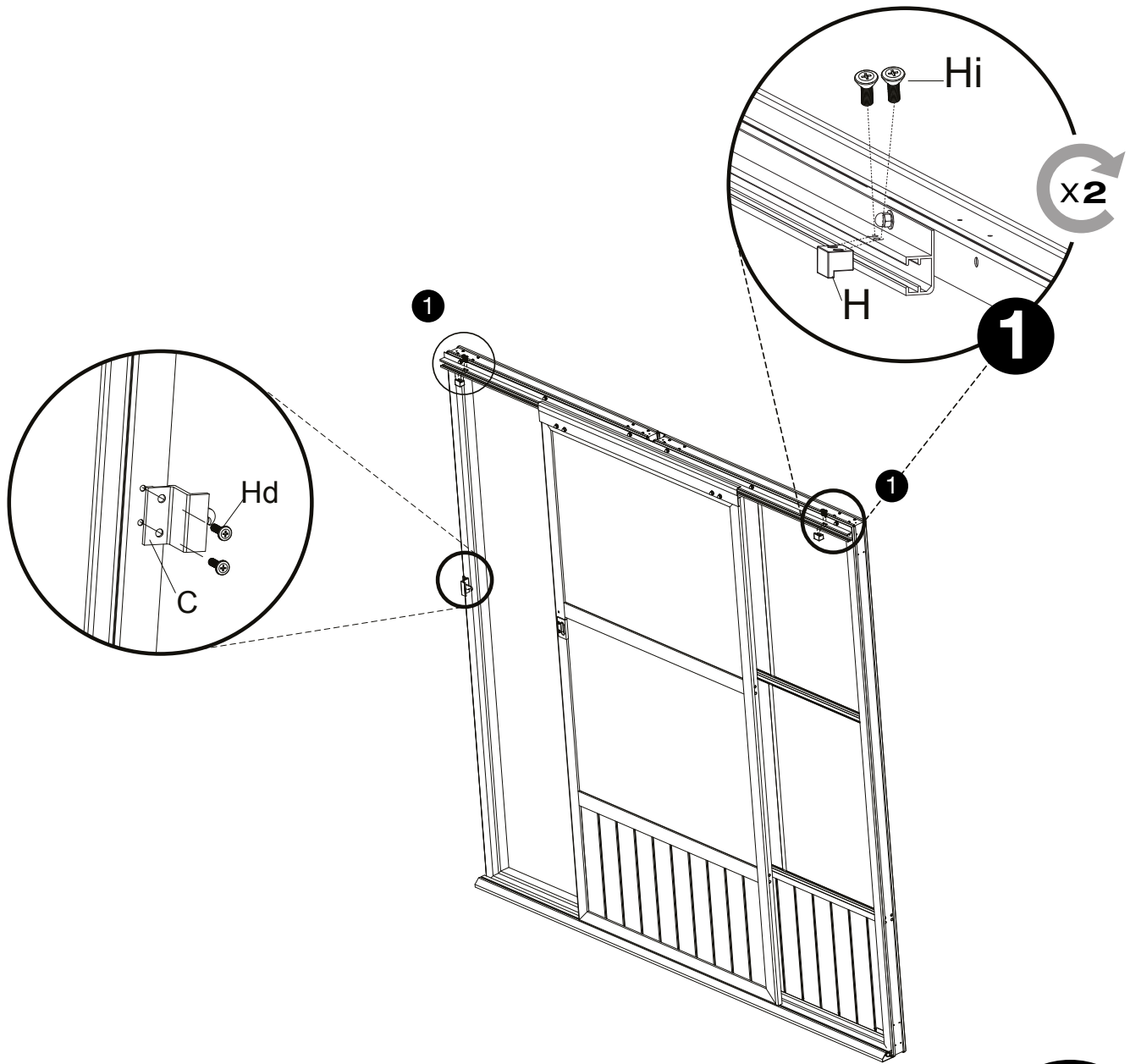
- Gx1:** A long horizontal rail.
- Hax6:** A bolt with a washer and a nut.
- Hbx6:** A bolt with a washer.

A circular icon with two figures and the text "2+" indicates that two people are required for this step.









Cx1



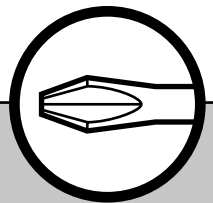
Hx2

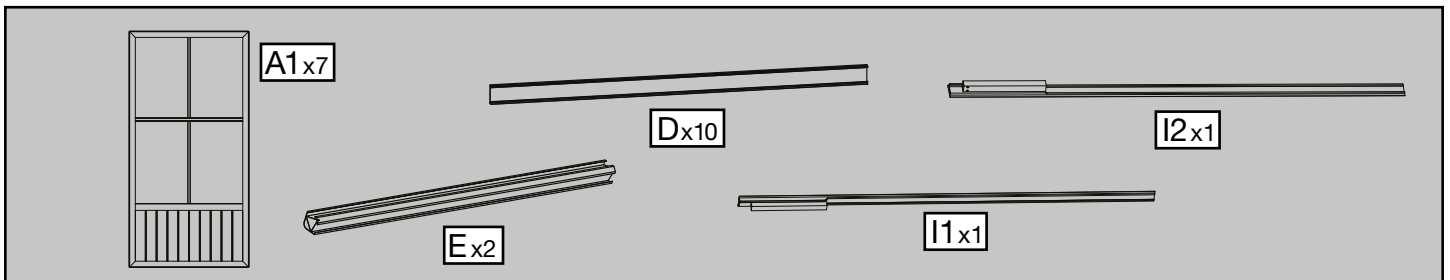
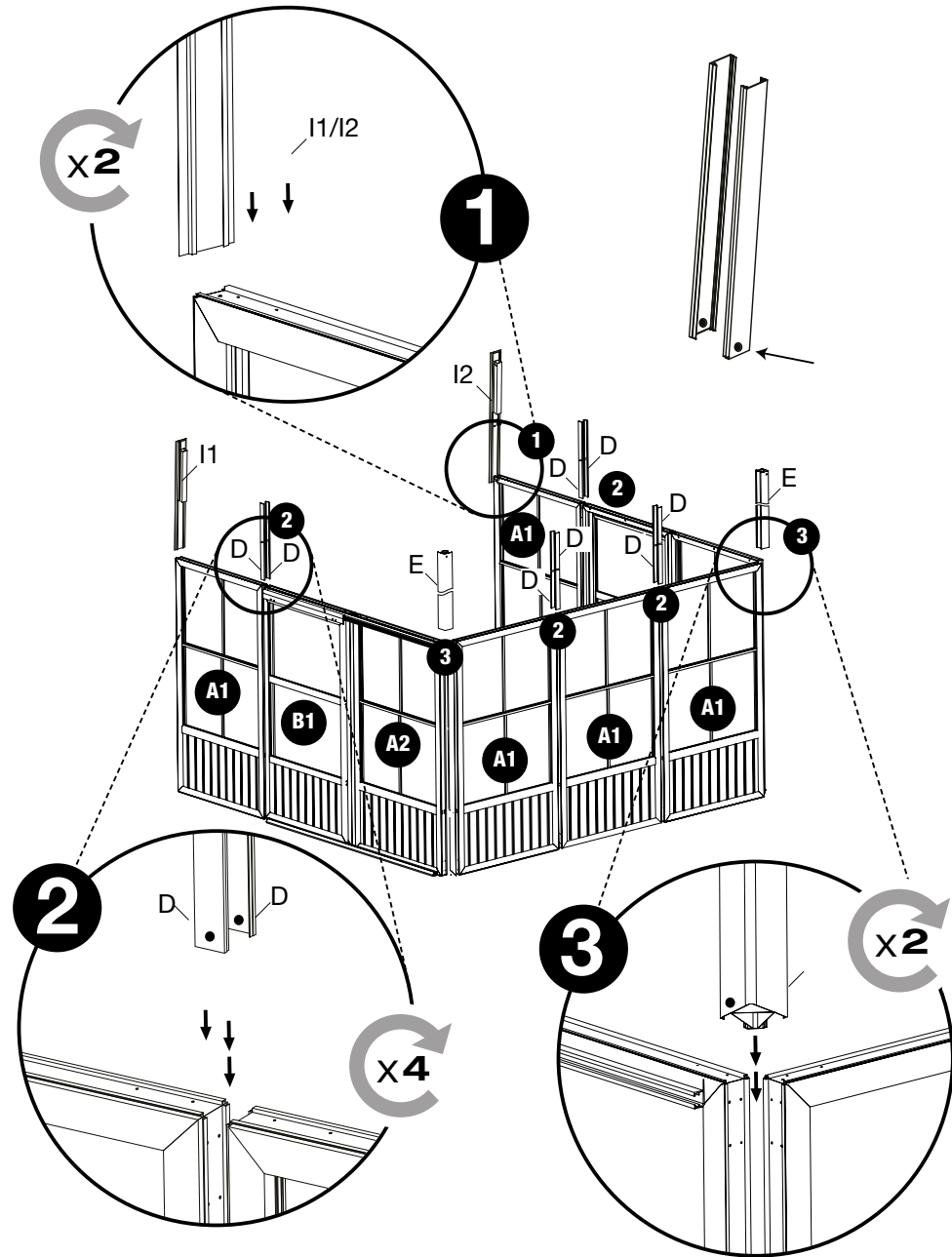


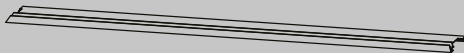
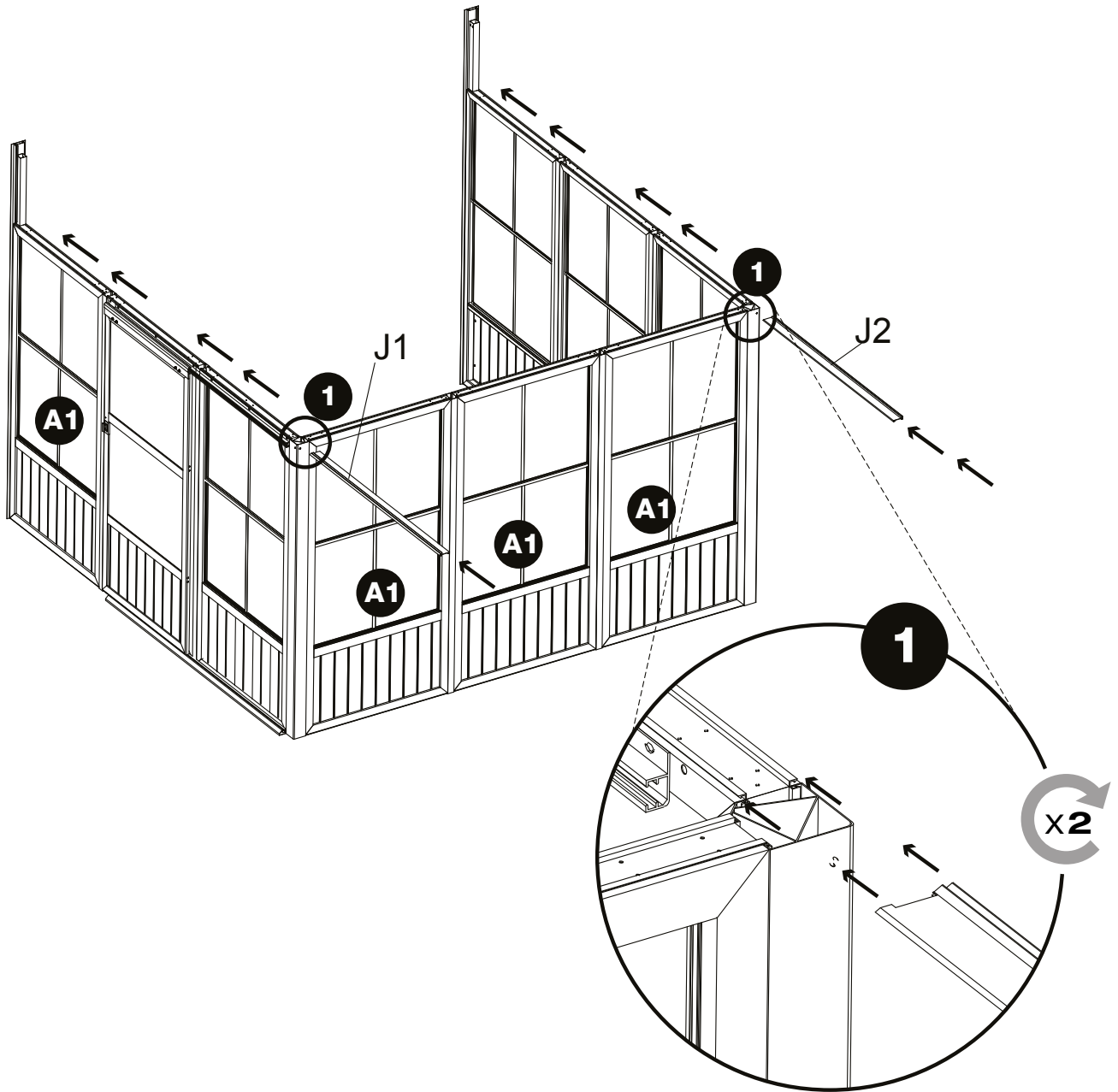
Hdx2



Hix4



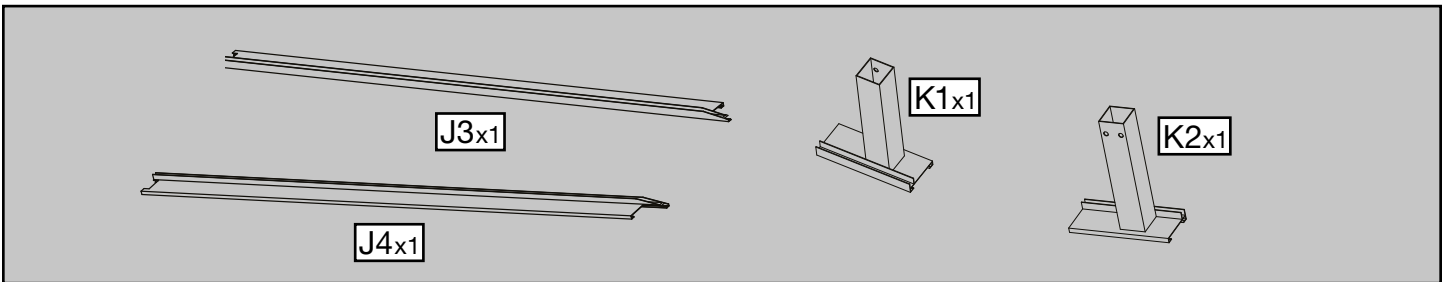
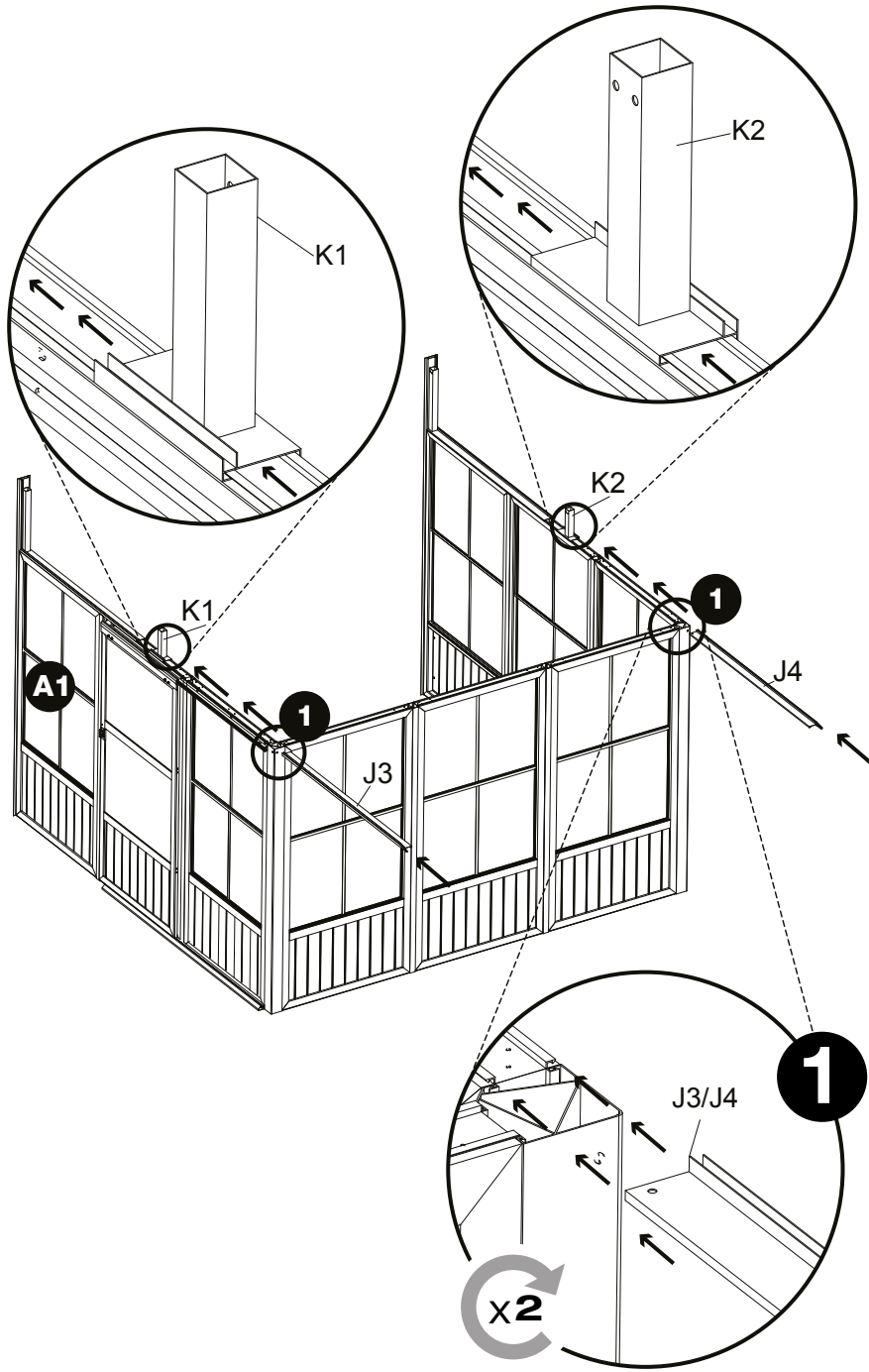


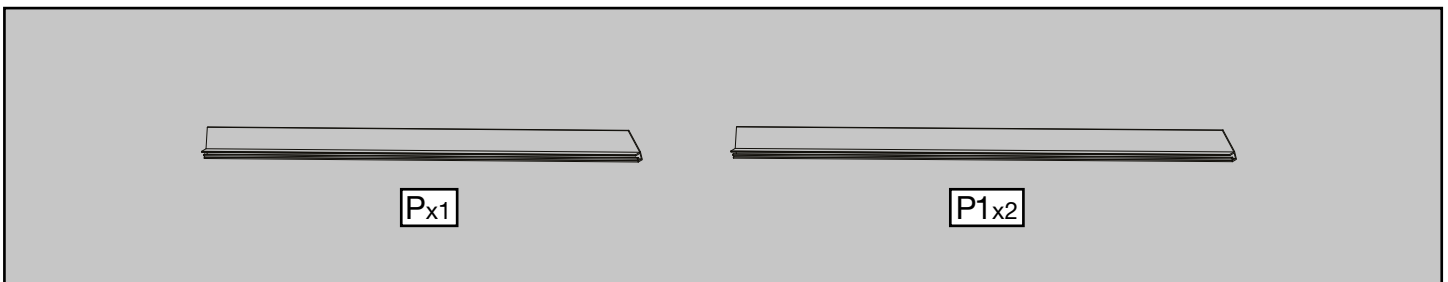
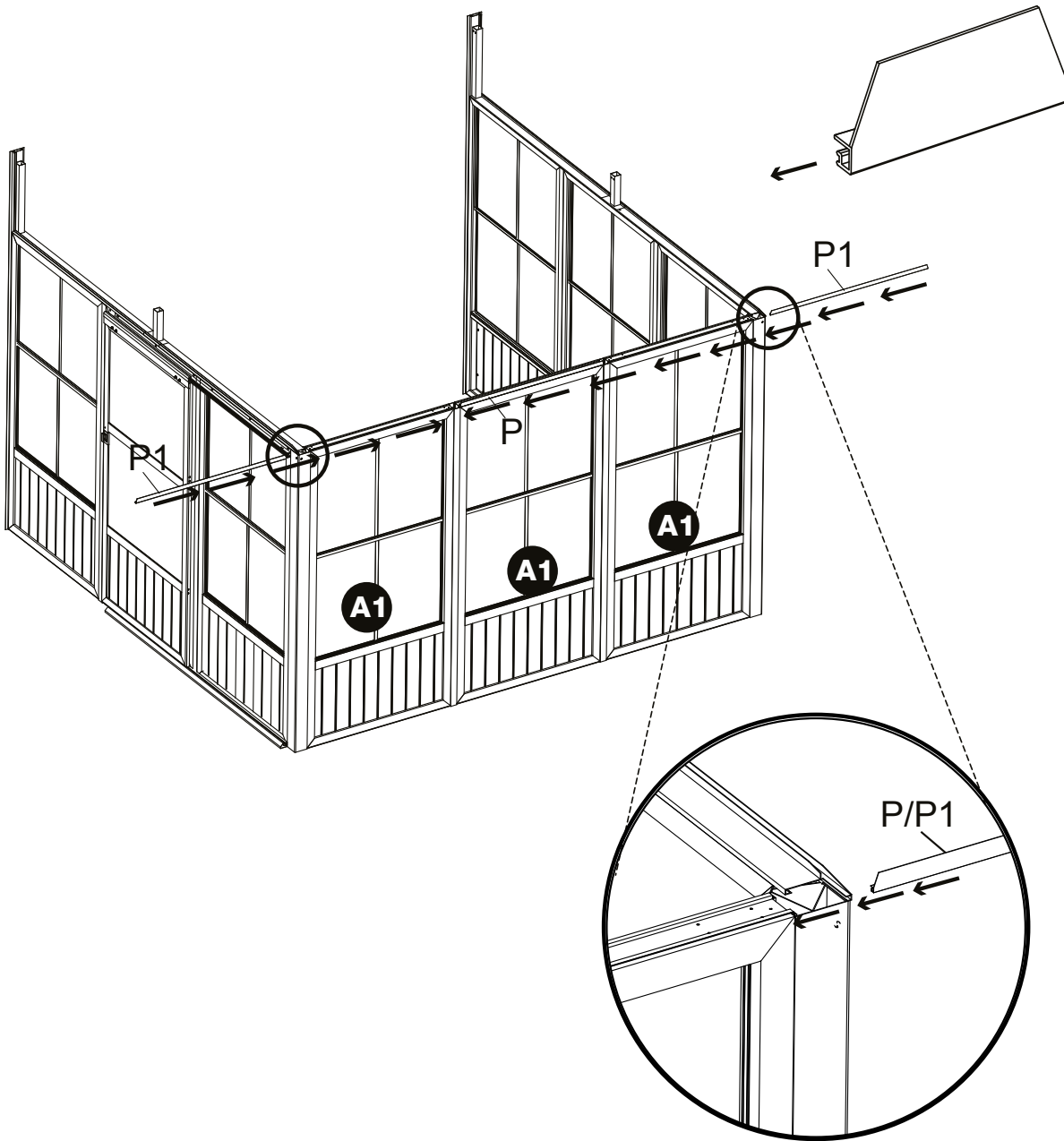


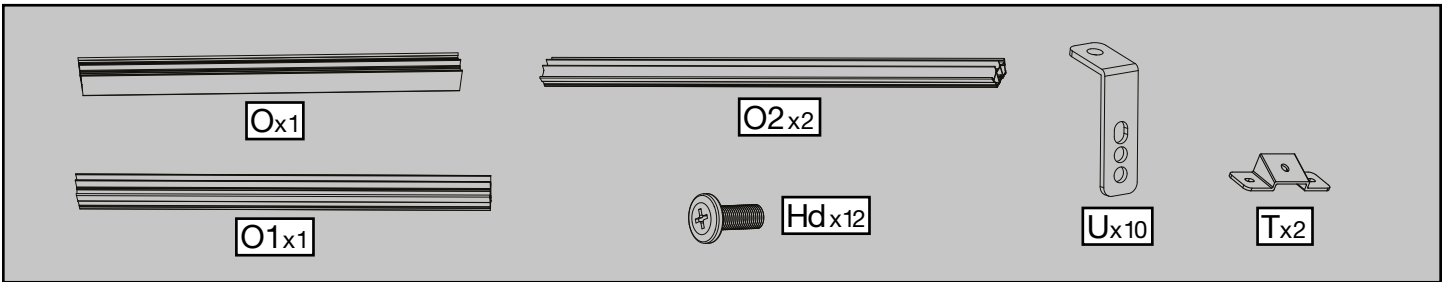
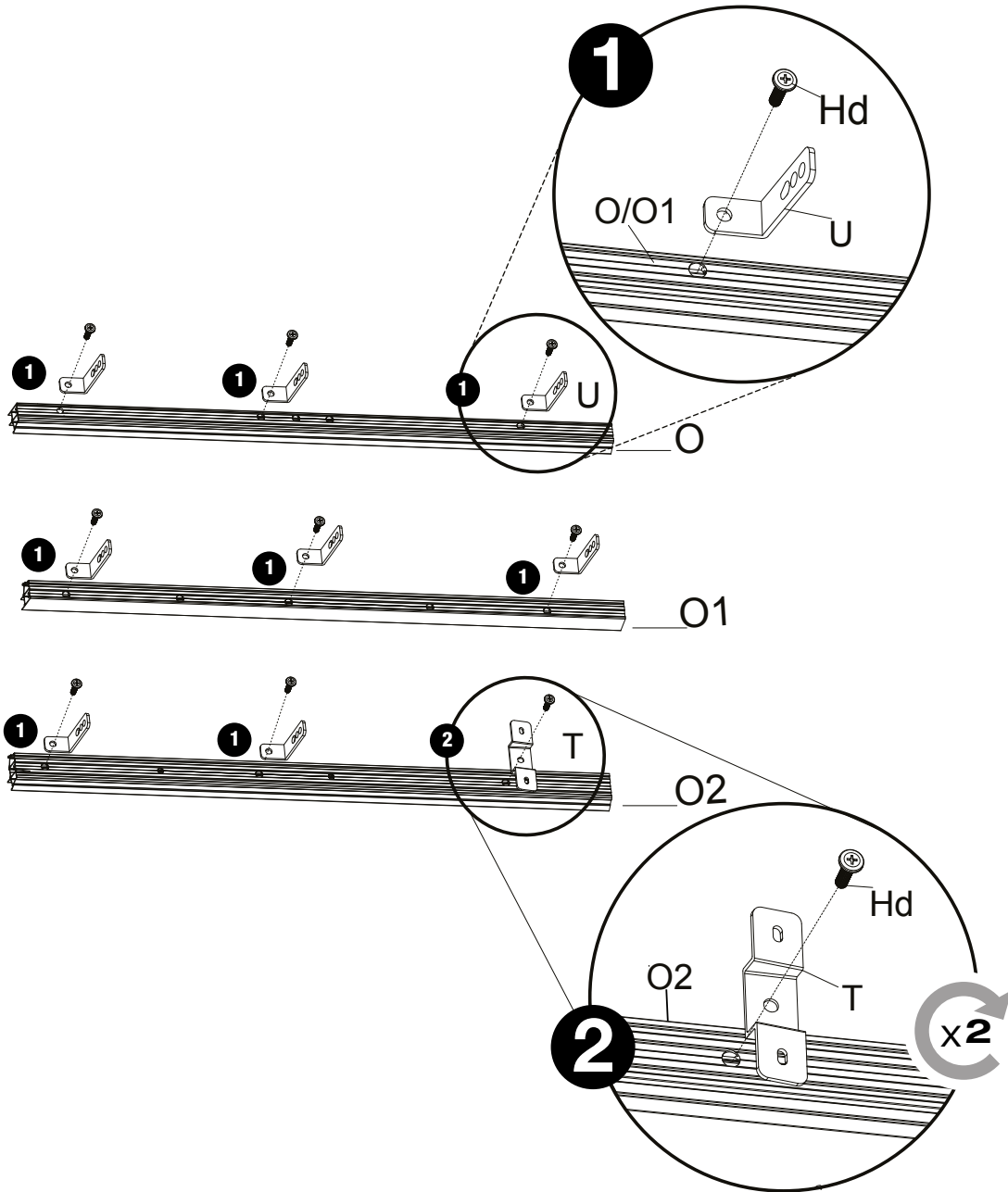
J1x1

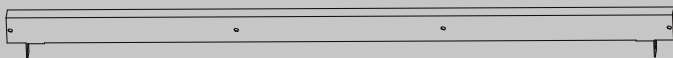
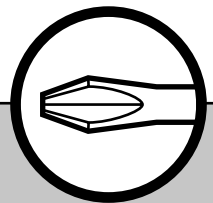
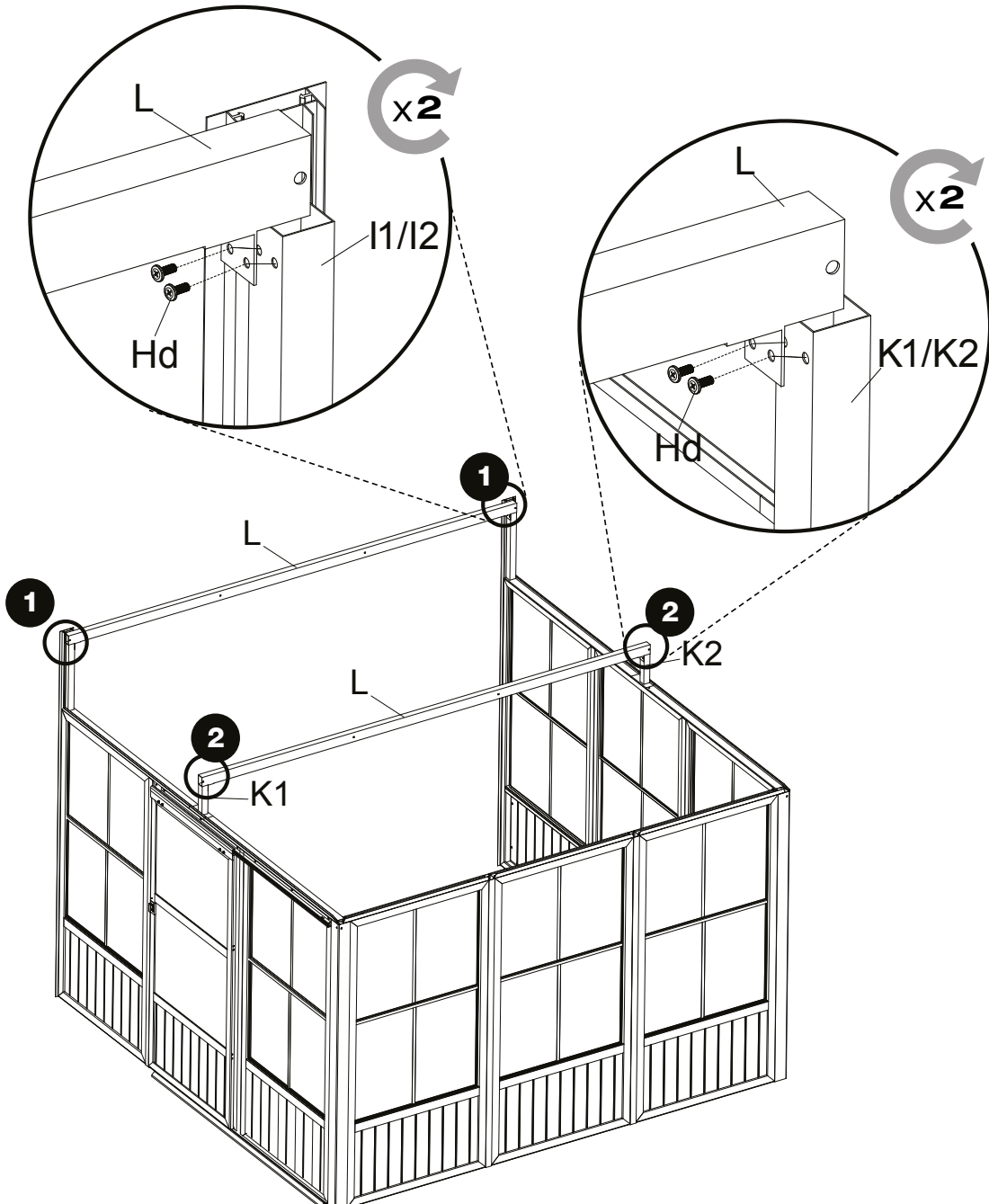


J2x1





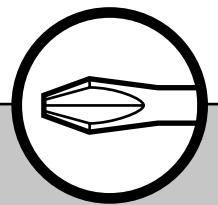
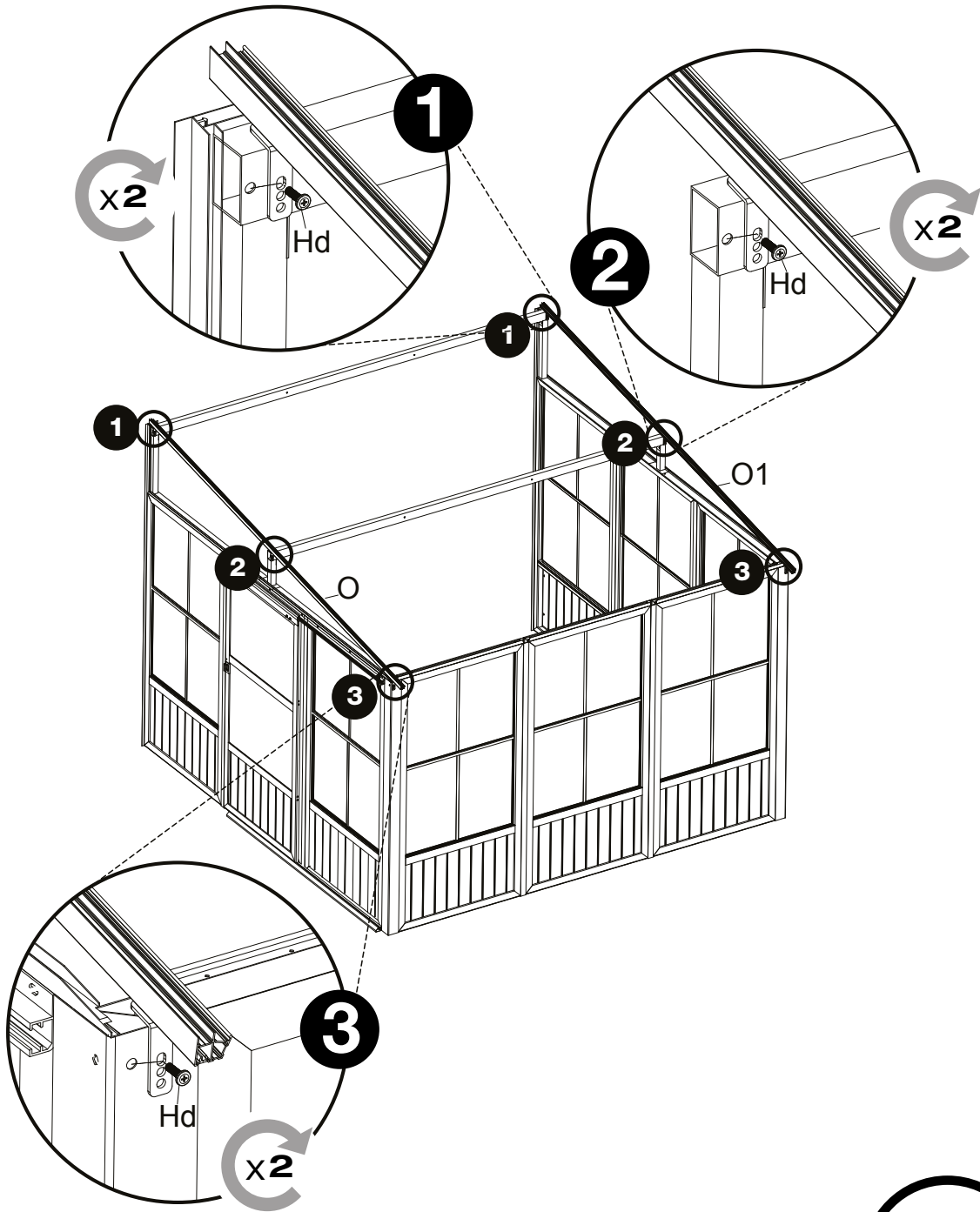




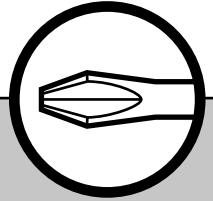
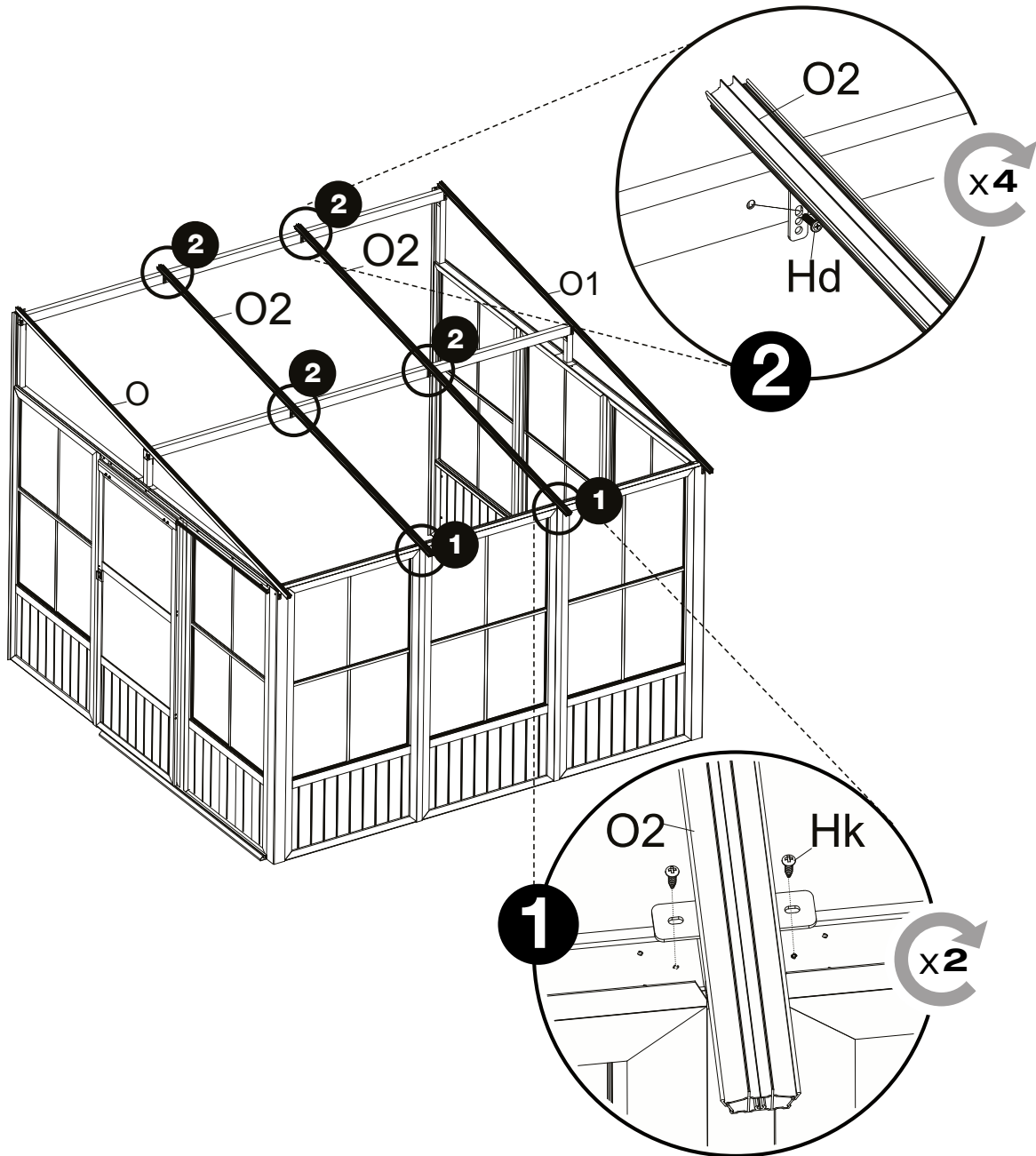
Lx2



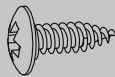
Hd x8



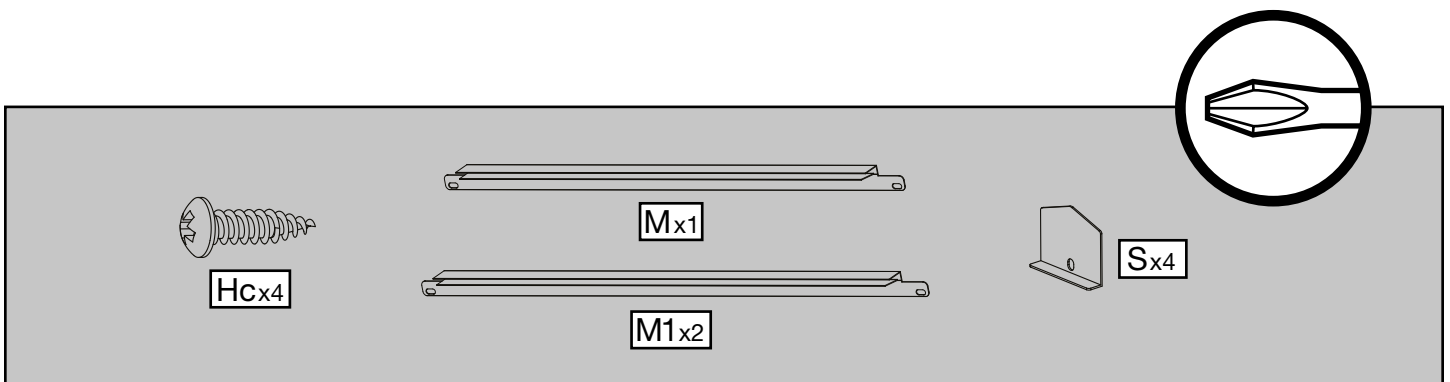
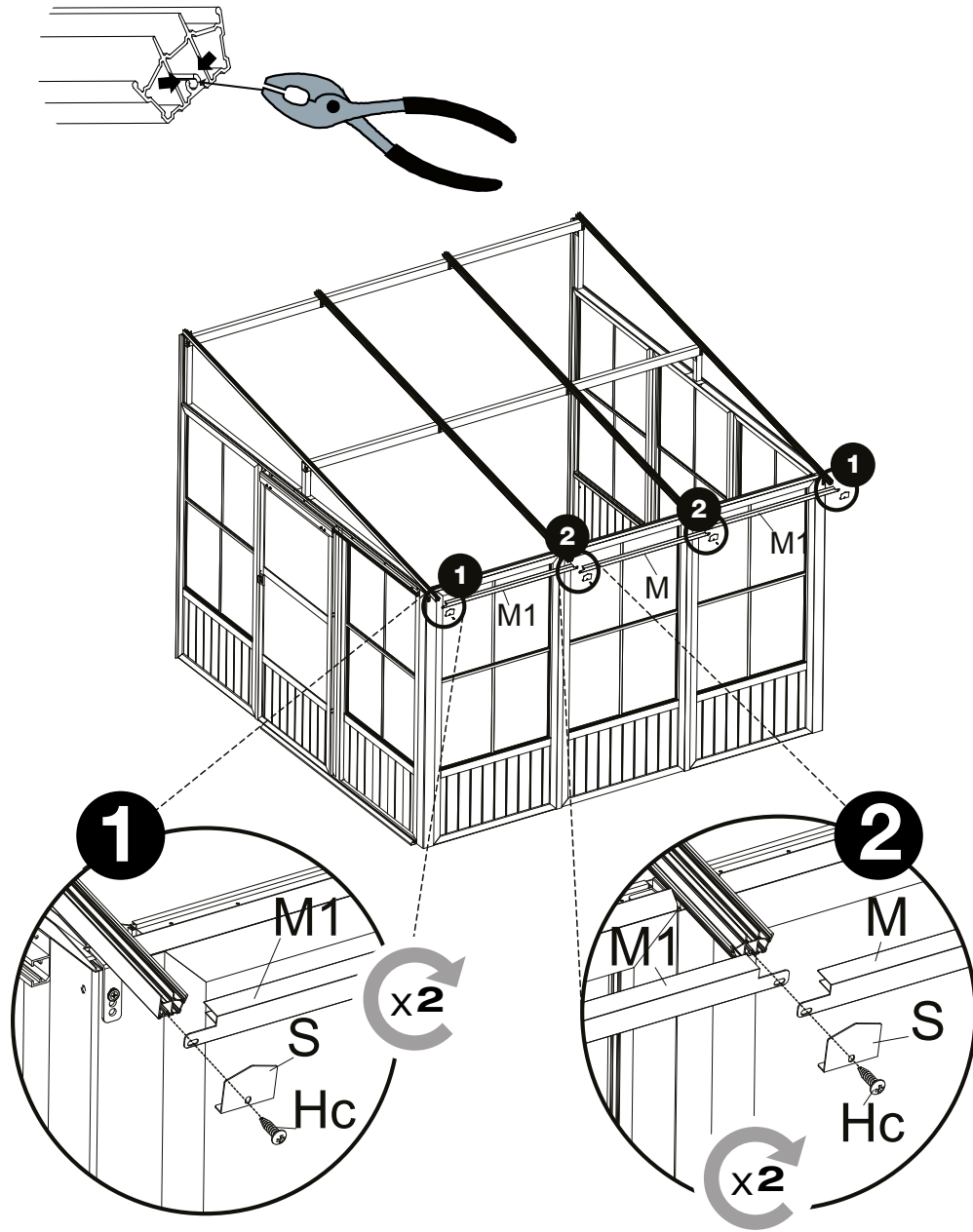
Hd x6

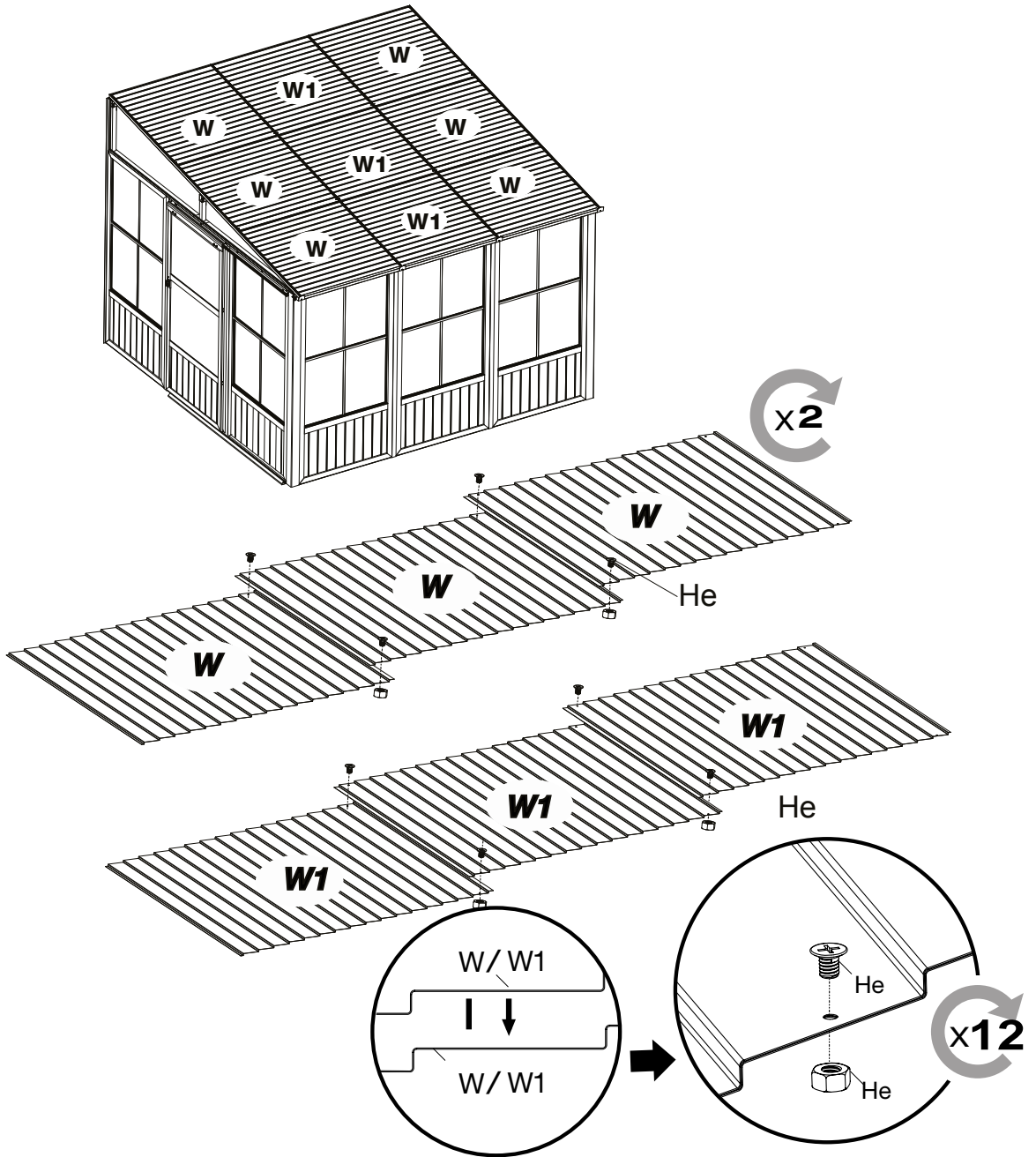


Hd x4

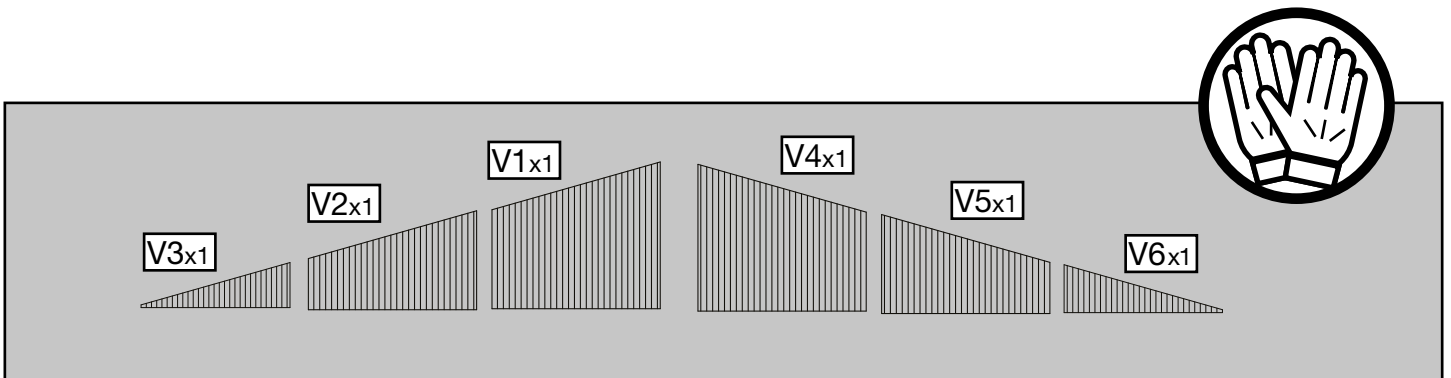
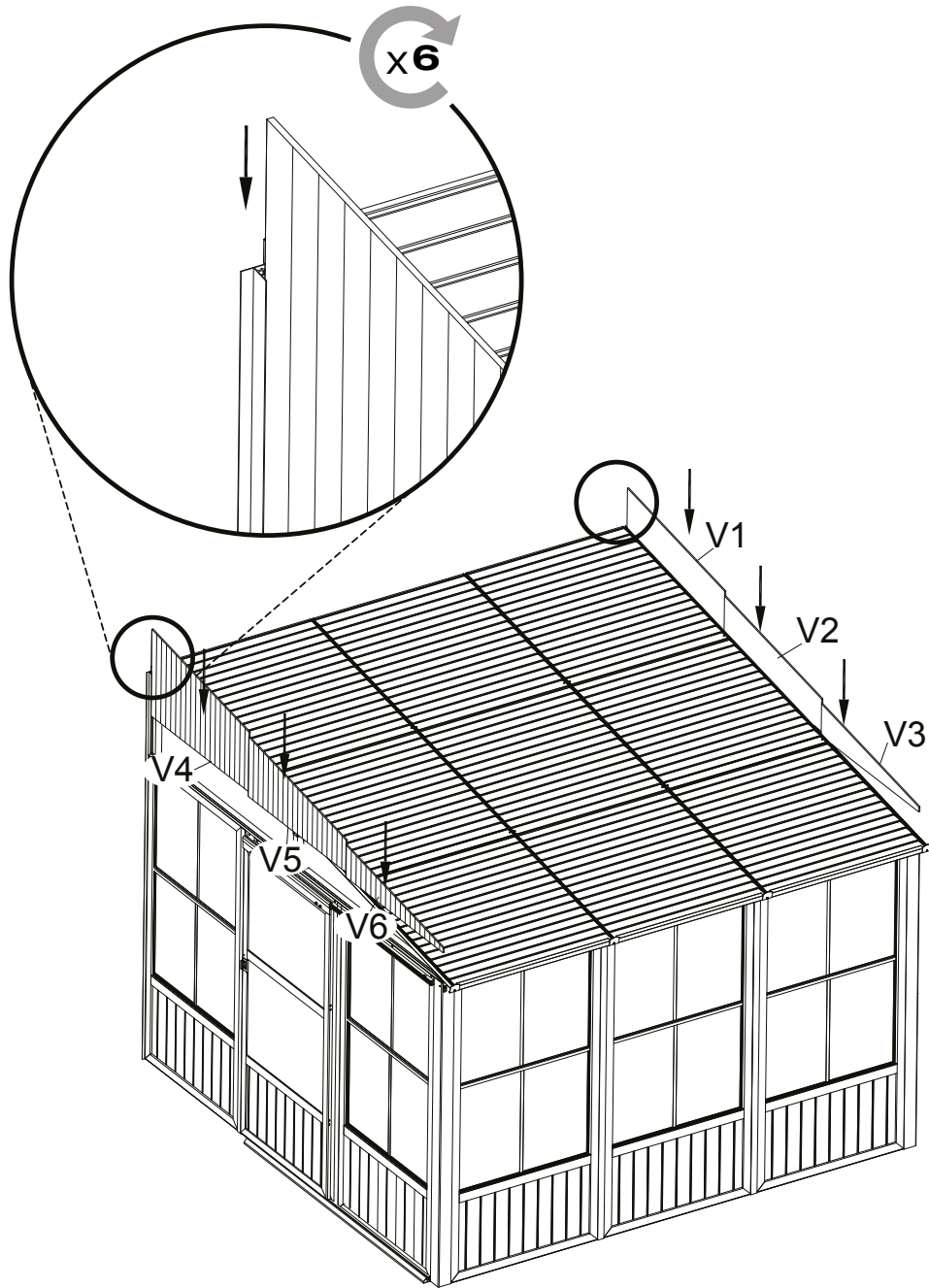


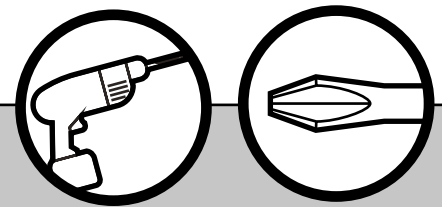
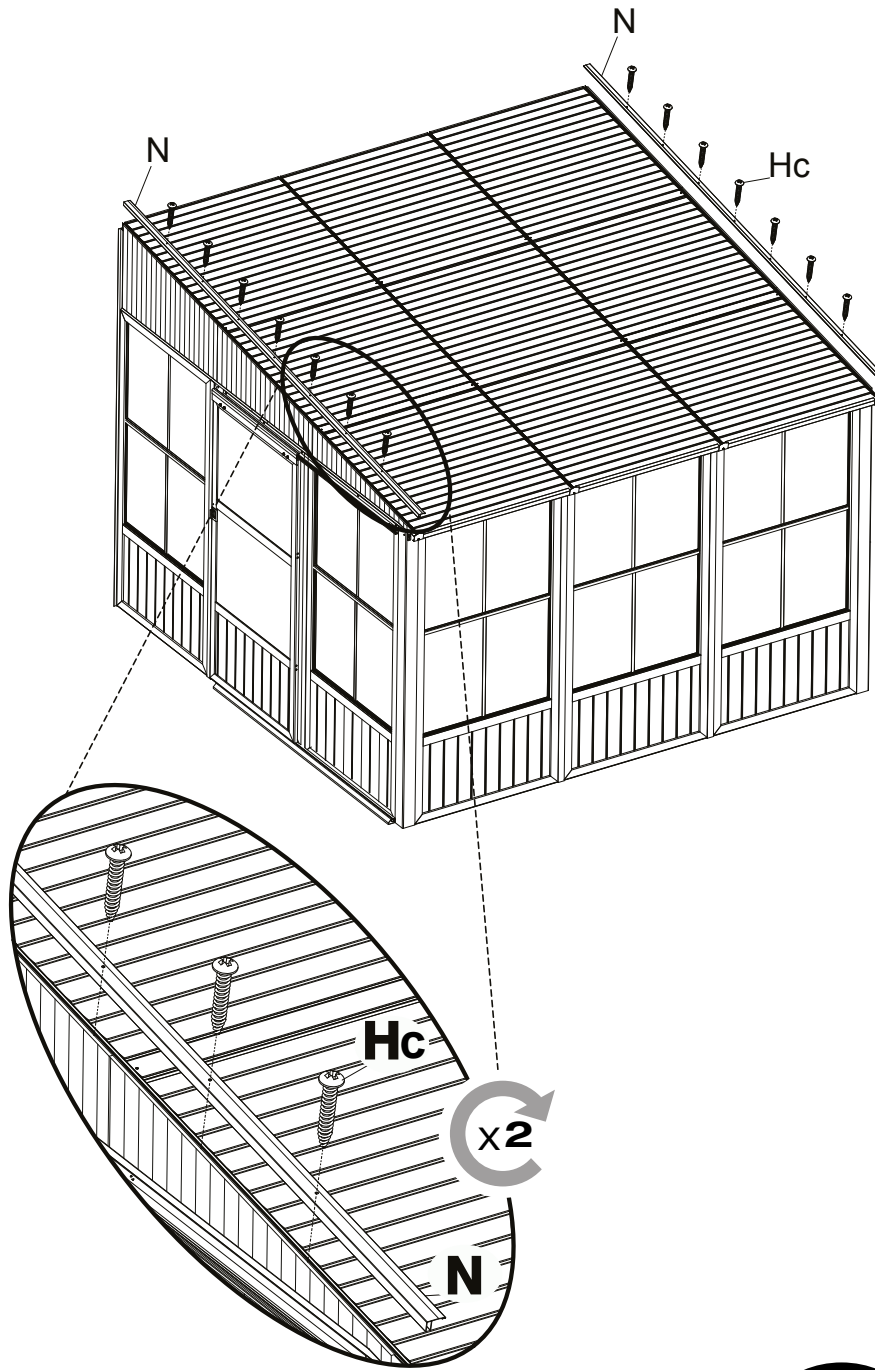
Hk x4





Wx6 He_{x12} W1x3

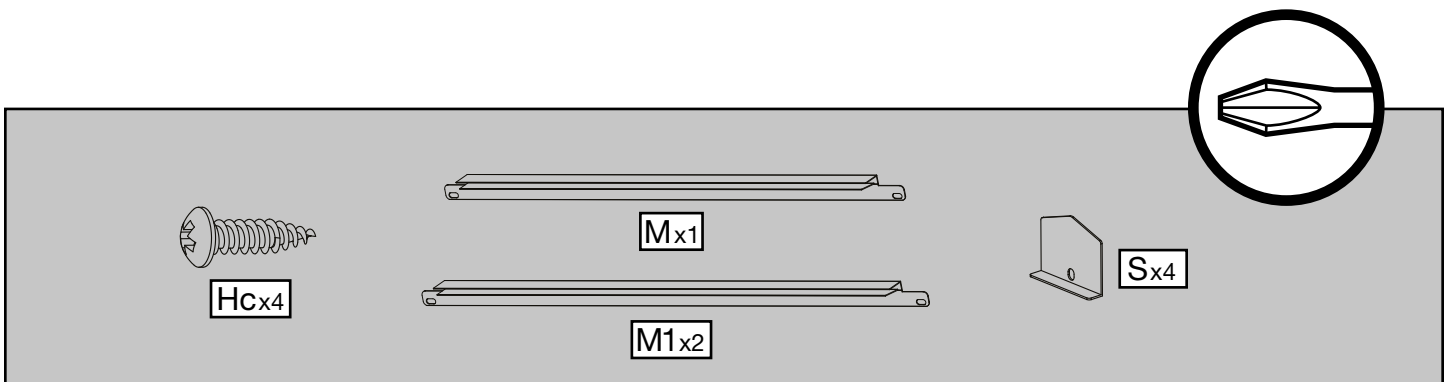
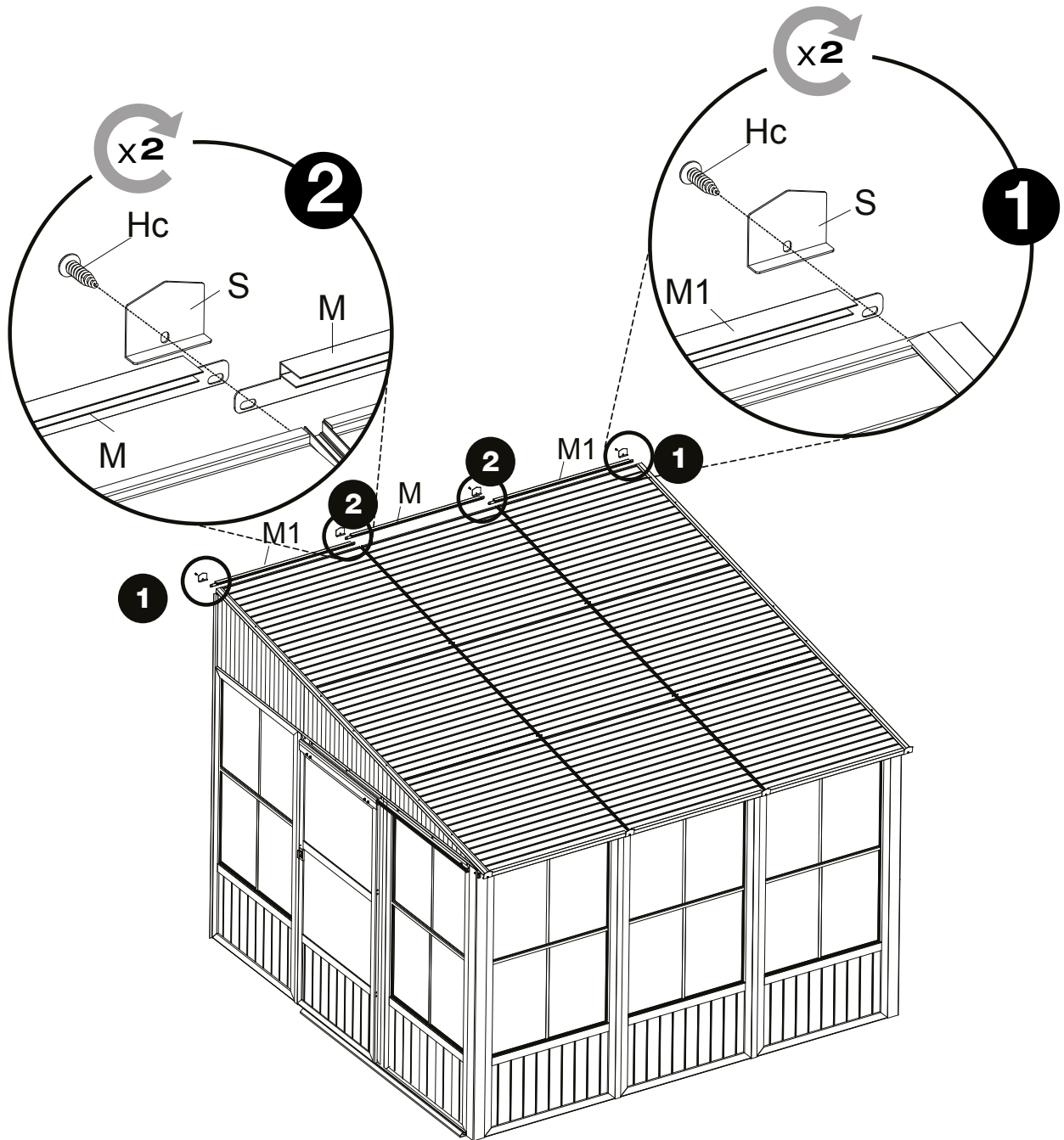


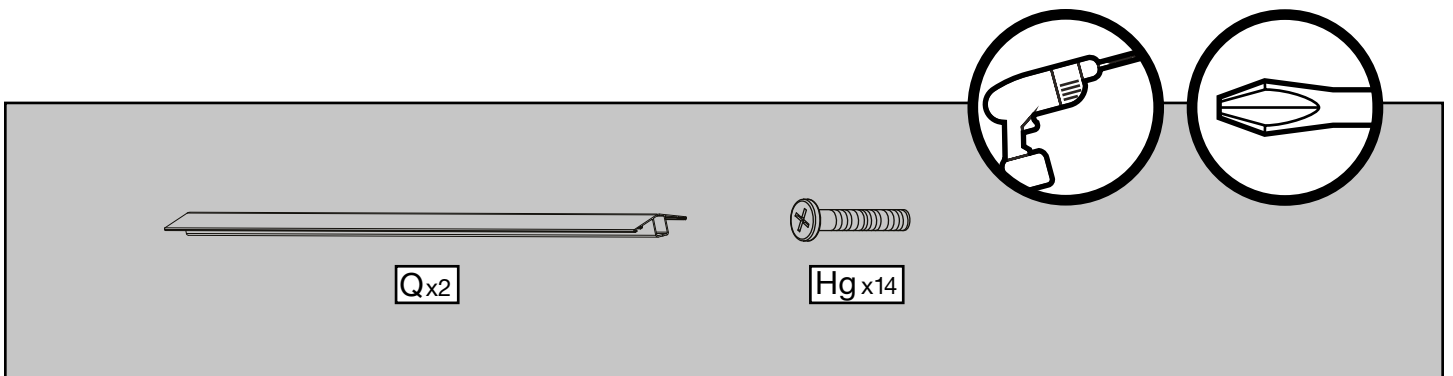
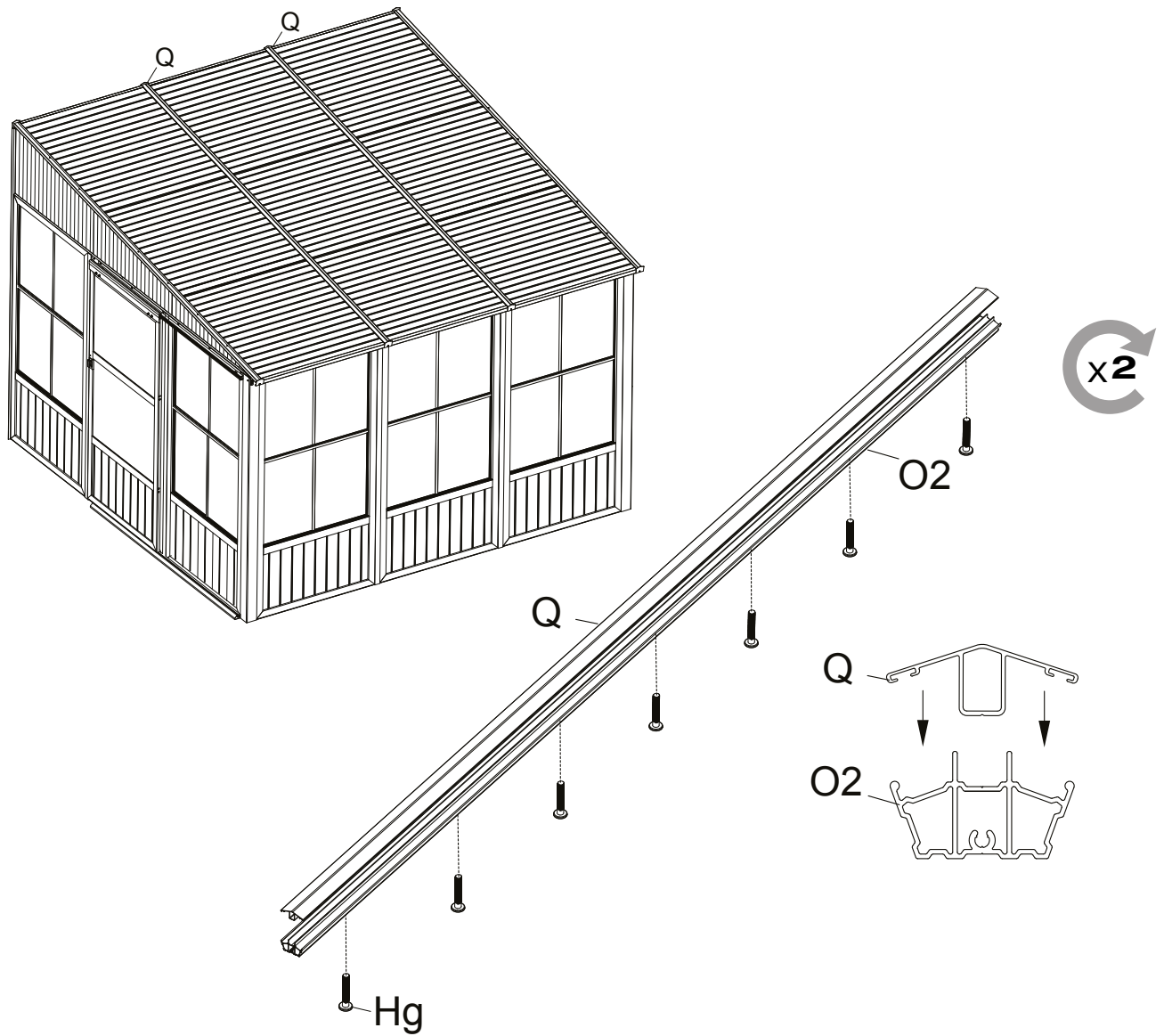


Nx2



Hcx14





**Register • Enregistrer • Regístrate
가리키다 • Registrieren**



ShelterLogic.com/product-registration

SOJAG ■ I