

DL-AR Technical Specifications

Universal HDMI Adapter Ring

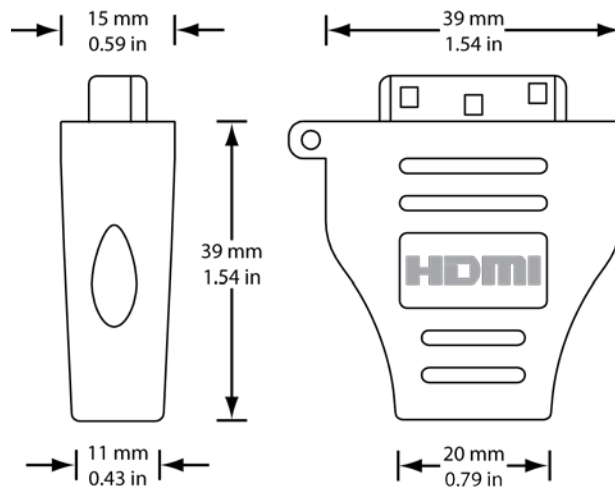
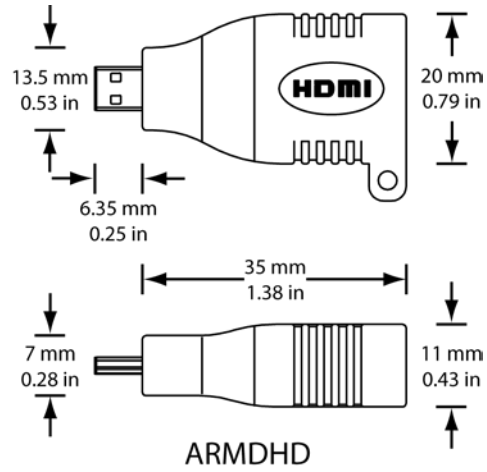
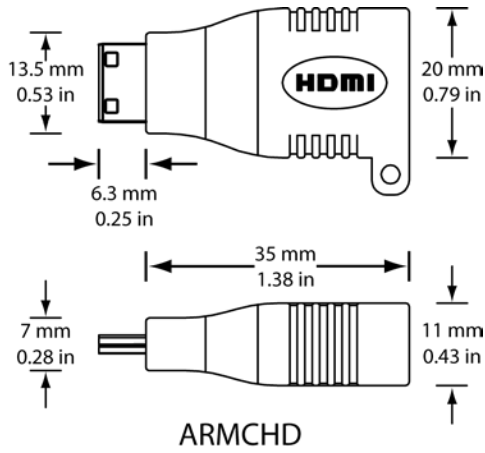
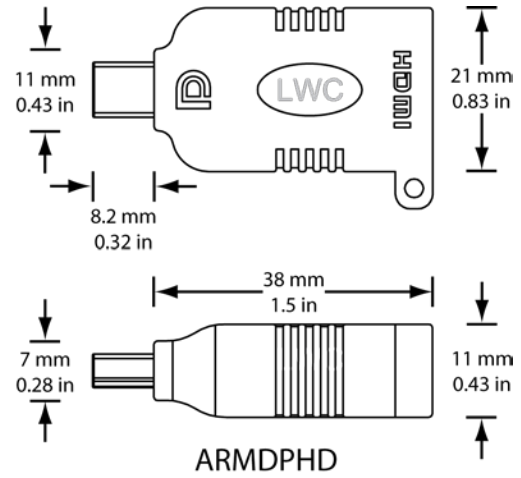
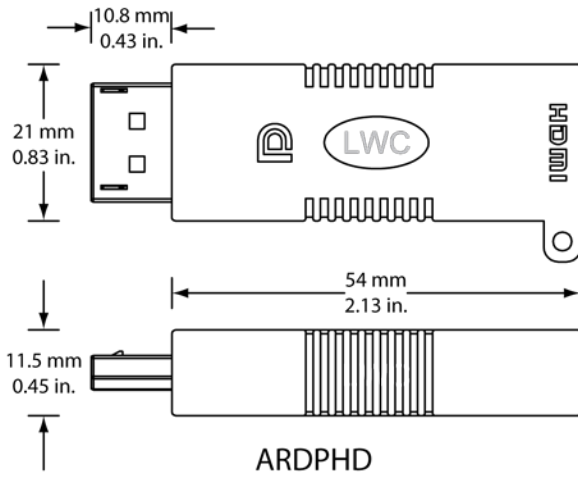
The DL-AR Digital Adapter Keychain was developed to support the rising proliferation of mobile devices used in presentation systems. Most presentation infrastructures only support one or two input formats, usually HDMI® for Digital and VGA for Analog. This product permits the presenter easy access to the appropriate adapter for connection to the HDMI® infrastructure. Laptops, tablets, smart phones, digital cameras, and net books all have varying connections to display their content. This simple and effective ring of adapters permits the owner of the infrastructure to support mobile device content and keep the adapters secure and in place for the next presenter.

The full DL-AR unit includes the following adapters in the basic format: (1) DisplayPort male to HDMI female, (1) Mini-DisplayPort male to HDMI female, (1) Mini-HDMI "C" male to HDMI female, (1) Micro-HDMI "D" to HDMI female, and (1) DVI-D Single Link male to HDMI female. The adapters are molded with a very strong eyelet that attach to the aircraft-grade steel cable. The main clamp is ABS and it can connect to HDMI cables up to 11mm in diameter. Two sets of foam rubber inserts for differing cable sizes are included.

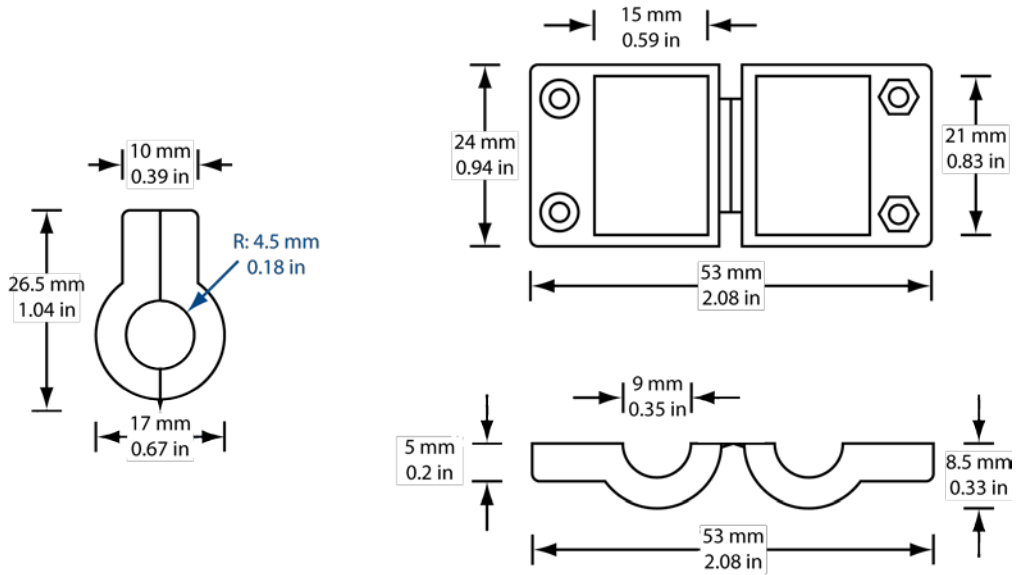
The security features of the ring are two staged. The clamp cannot be opened or installed without a Torx® T10 Pin driver. This security screw has the raised pin in the center of the star to prevent standard Torx® drivers from use. Inside the clamp is a second security feature, a steel ring with a 1.5mm hex set screw that locks the ends of the cables together. The unit is shipped with four Torx® Pin screws and nuts. Two are extra in case of loss. Liberty item T10PD is a simple tool kit of a T10 pin driver and a 1.5mm hex wrench. The T10PD is sold separately.

***There are numerous adapter ring configurations available.**

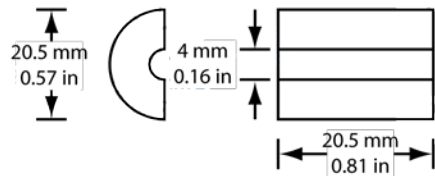




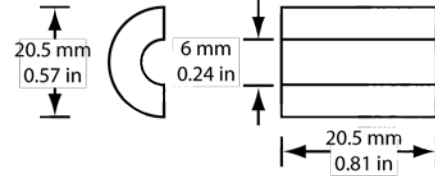
ARDVHD



Cable Clamp



Small Diameter Insert



Mid Diameter Insert

Technical Specifications	
DisplayPort Adapter (ARDPHD)	
Input	Male full size DisplayPort connector
Output	Female HDMI type A receptacle
Compliance	DisplayPort 1.1 for 1.62 and 2.7 Gbps HDMI to 2.25 Gbps
Supported video resolutions	PC: Up to 1920x1200 HDTV: Up to 1080p
Mini DisplayPort Adapter (ARMDPHD)	
Input	Male mini DisplayPort connector
Output	Female HDMI type A receptacle
Compliance	DisplayPort 1.1 for 1.62 and 2.7 Gbps HDMI to 2.25 Gbps
Supported video resolutions	PC: Up to 1920x1200 HDTV: Up to 1080p
Mini HDMI Adapter (ARMCHD)	
Input	Male mini HDMI type C connector
Output	Female HDMI type A receptacle
Compliance	HDMI to 2.25 Gbps
Supported video resolutions	PC: Up to 1920x1200 HDTV: Up to 1080p
Micro HDMI Adapter (ARMDHD)	
Input	Male micro HDMI type D connector
Output	Female HDMI type A receptacle
Compliance	HDMI to 2.25 Gbps
Supported video resolutions	PC: Up to 1920x1200 HDTV: Up to 1080p
Single Link DVI-D Adapter (ARDVHD)	
Input	Male single link DVI-D connector
Output	Female HDMI type A receptacle
Compliance	HDMI to 2.25 Gbps
Supported video resolutions	PC: Up to 1920x1200 HDTV: Up to 1080p
Cable and Clamp Assembly (DL-CL)	
Security Cable Material	Steel with black polyethylene sheath
Security Cable Length	450 mm (17.72 in)
Cable Clamp Dimensions (closed)	17 mm x 24 mm x 26.5 mm (0.67 in x 0.94 in x 1.04 in.)
Cable Clamp Inner Diameter	9 mm (0.35 in.)
Cable Clamp Material	Black ABS plastic
Mid Insert Diameter	6 mm (0.24 in.)
Small Insert Diameter	4 mm (0.16 in.)
Mid, Small Insert Material	Foam rubber
Other	
Warranty	2 years
Included Accessories	Four T-10 screws, Four M3 nuts, one retaining ring, one 1.5 mm hex retaining screw
Optional Toolkit	T10PD