



StarryKnight SK30





StarryKnight SK30

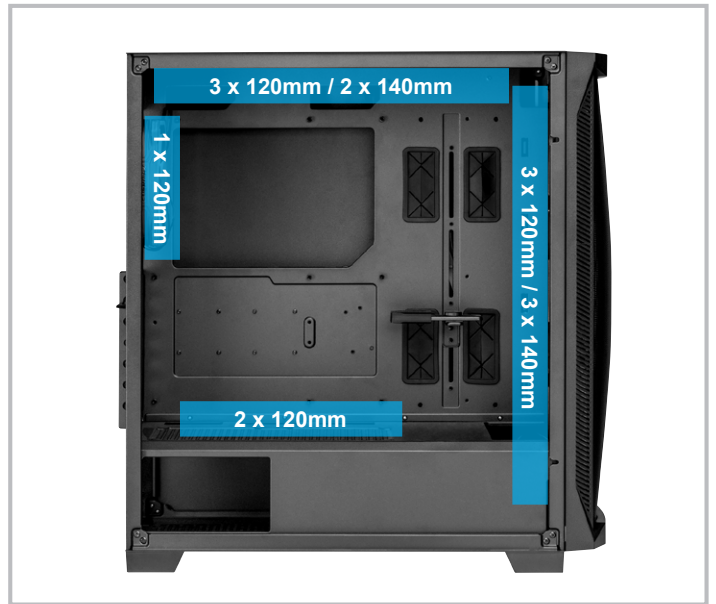
- *Build-in USB3.2 Type C*
- *4 Pre-installed SquA RGB ADV PWM Fans*
- *Reusable Slots & Tool-less GPU Holder*
- *Vertical GPU Installation Supported*
- *6-ports Control Hub for ARGB Lighting Sync & PWM Control*

Features

- **Excellent Expandability**
 - I/O with USB 3.0 and USB 3.2 Type C Compliant with the Latest Common EU Charger from Europe an Parliament.
 - Supports E-ATX Motherboard for High-end System Building.
 - Support 360 AIO & 9 Fans in Maximum.
 - Up to 4 Drives (3.5" HDD x 2, 2.5" SSD x 2 / 2.5" SSD x 4).
 - Up to 200mm PSU Installation by Removing HDD Cage.
 - Two-vertically Expansion Slots for GPU Vertical Installation.
- **User-friendly**
 - Side I/O Ports Panel Design Unaffected Users to Rebuilt Front Panel Parts.
 - Tool-less GPU Holder to Prevent System Components from Sagging and Bending.
 - Dust Free with Removable Dust Filters on Both Top and Bottom Sides.
- **Dazzling RGB**
 - Build-in 6 Ports Control Hub Supports Addressable RGB Lighting Synchronization.
 - Pre-installed 4 SquA RGB ADV PWM Fans Present Unique RGB Lighting Effects.
 - 13 Pre-set Lighting Effects through IO Reset Button.



Supports Two 360 AIO Installation Simultaneously



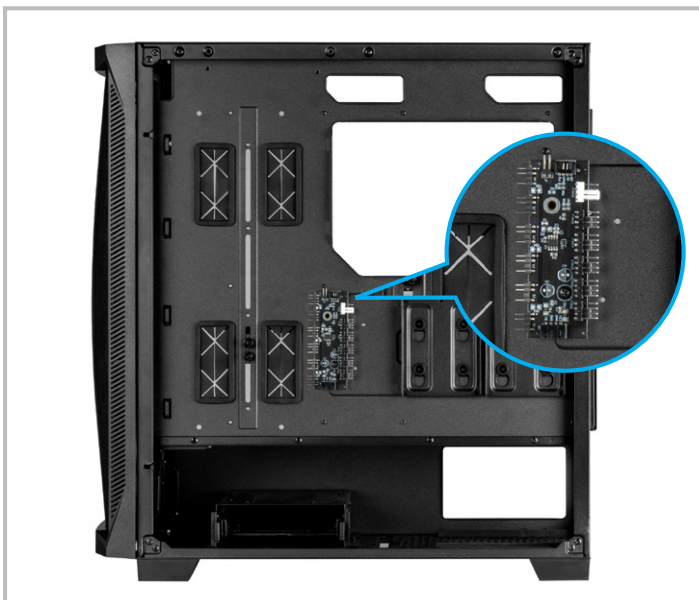
Maximum Nine Fans Installation



Optimized Airflow by Curved Mesh Panel



Tool-less GPU Holder

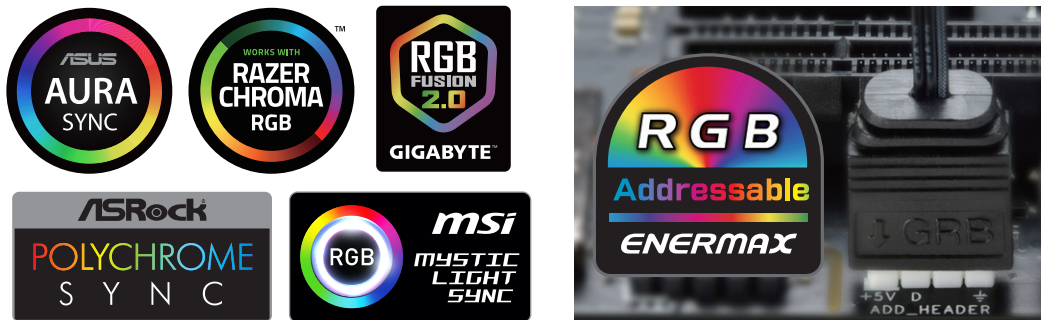


Build-in 6 Ports Addressable RGB Control Hub



7 Horizontally & 2 Vertically Reusable Expansion Slots

2 Ways to Control Addressable RGB Lighting Effects



Through Motherboard Software

Users can sync the RGB lighting with motherboards featuring addressable RGB headers (3 pin assignment is 5V/D/G)



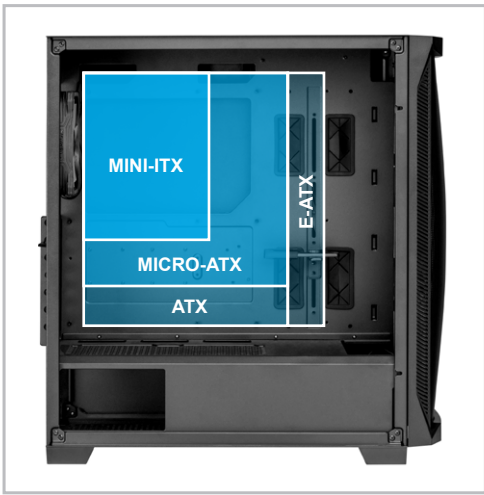
Through Computer Case

To adjust the preferred lighting effects, users can utilize the lighting control button.
(13 pre-set lighting effects : Rainbow, Snake, Peach & Green scroll, Colors breathe, Colors scroll, Bilateral colors scroll, Red, Green, Blue, White, Yellow, Azure, and Peach.)

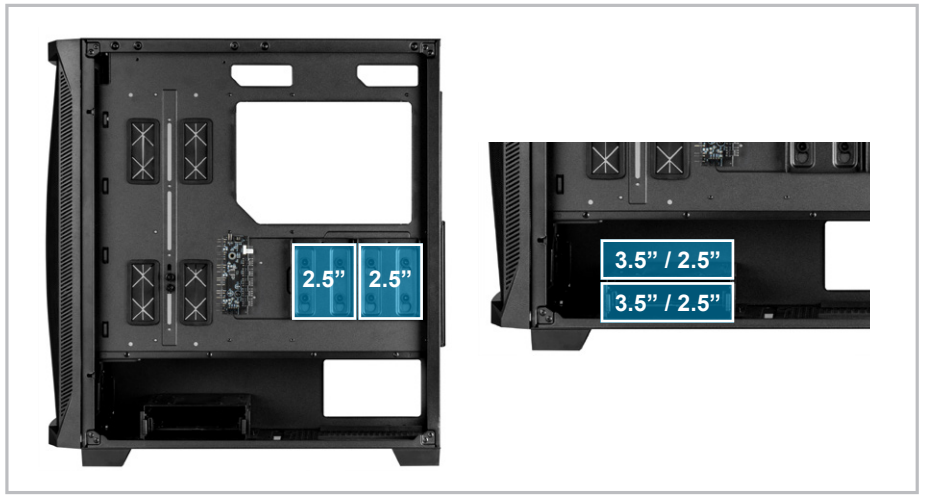
- * Long press the lighting control button for 2~3 seconds to switch the RGB sync controlled by M/B or case
- * The reset button located on the front I/O panel is replaced by the lighting control button



Removable Dust Filters on Both Top and Bottom Sides



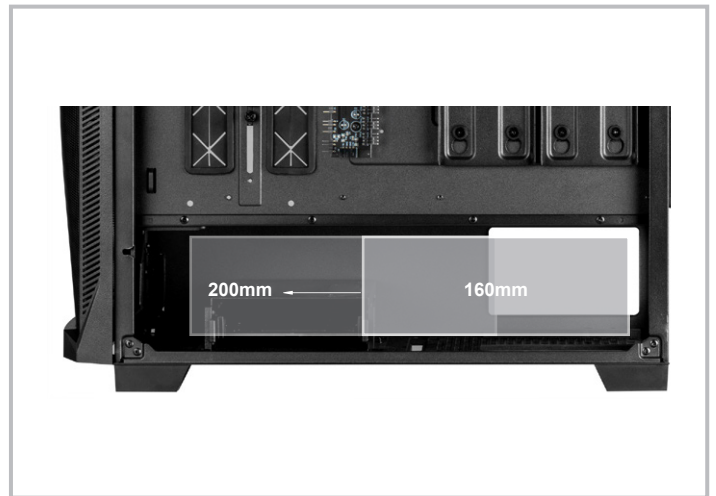
Mini ITX to E-ATX Motherboard Compatibility



Support 2 x 3.5" and 4 x 2.5"
(2 x Converted From 3.5" HDD Cage Drive Bay)



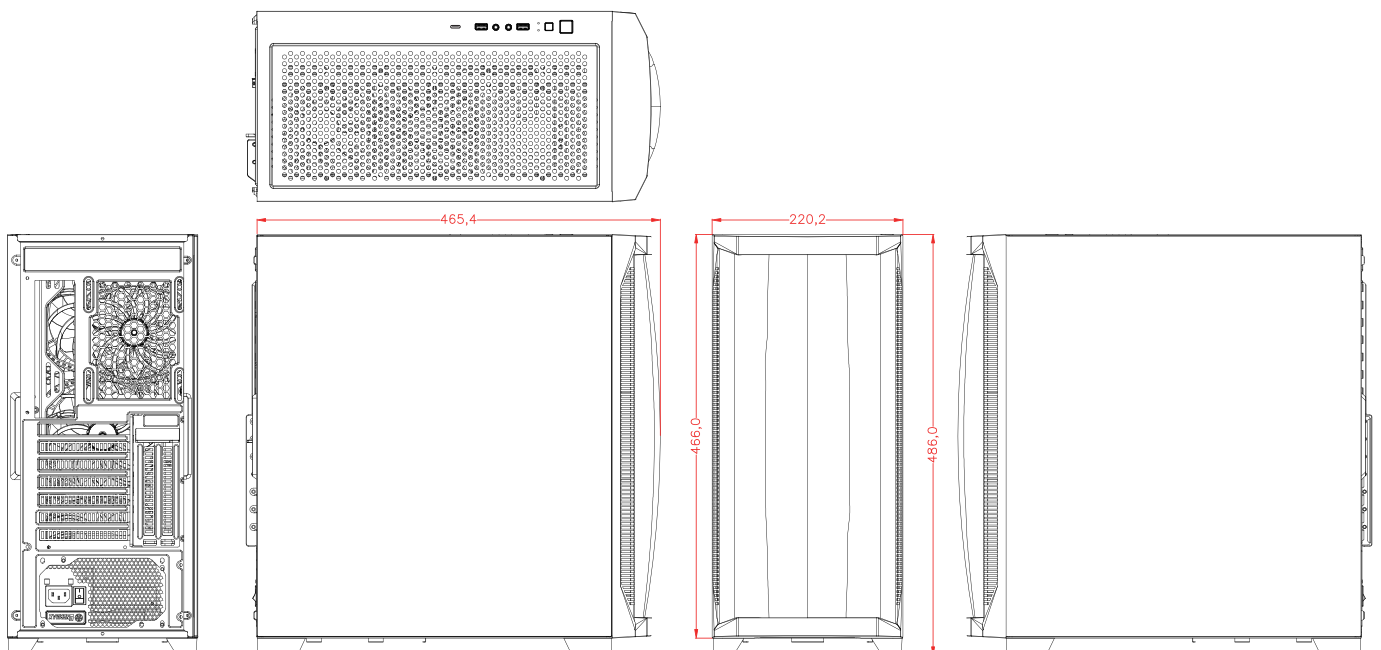
Supports Up to 405 mm GPU Installation



Supports Up to 200 mm PSU Installation

Dimension

unit : mm



Specifications

Model Number		ECA-SK30-BB-ARGB-01	ECA-SK30-BB-ARGB-02
Dimensions(Case)		D465 x W220 x H486mm	
Material		Tempered Glass, SPCC	
M/B Type		E-ATX, ATX, Micro-ATX, Mini-ITX	
I/O		USB3.0 x 2, USB2.0 x 1, HD Audio	USB3.0 x 2, USB3.2 Type C x 1, HD Audio
Drive Bays	3.5"	2	
	2.5"	4 (2 x converted from 3.5"HDD Cage)	
Expansion Slots		7+2 Verticla	
Fan Support	Front	3 x 120mm / 3 x 140mm	
	Top	3 x 120mm / 2 x 140mm	
	Rear	1 x 120mm	
	PSU Tunnel	2 x 120mm	
Radiator Support	Front	240 / 280 / 360mm	
	Top	240 / 280 / 360mm	
	Rear	120mm	
Clearance	PSU	200mm(Maximum)	
	GPU	405mm	
	CPU Cooler	170mm	
Cable Routing Space		25mm	
Shipping Information			
Barcode	EAN	4713157726469	4713157727909
	UPC	819315026465	819315027905
Carton Dimension		D526 x W282 x H521mm	
Gross Weight		8.6 kg	
Net Weight		7.5 kg	

*Product specifications are subject to change without notice.

*Options vary by countries or regions.

*For detailed information please visit our website at www.enermax.com

