



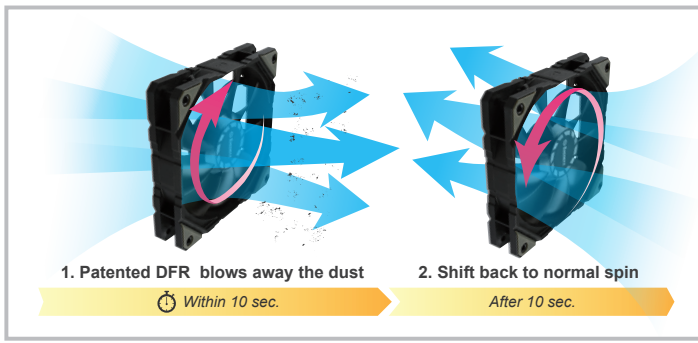
REVOLUTION D.F. 2
850W / 1050W / 1200W

REVOLUTION D.F. 2

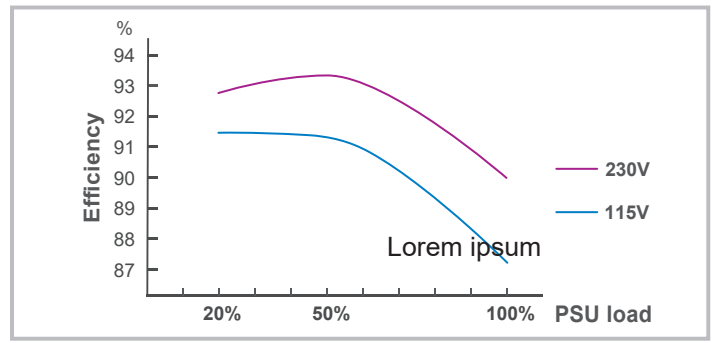
- Intel ATX 3.0 & PCIe 5.0 Ready
- High Wattage Power Supply in Compact Size
- Fully Modular 80 PLUS® Gold Certified
- Up to 200% Power Excursion and Instant Power-on Time
- ENERMAX Iconic Dust-free Rotation Technology
- Semi-fanless Tech. for Absolute Silence Under 20% Load
- Perfect for the Most Advanced GPUs

**Features**

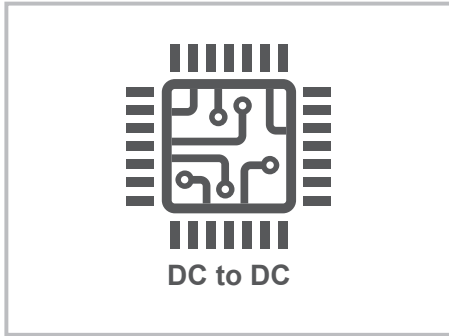
- **ATX 3.0 & PCIe 5.0 Ready**
 - Shorter power-on time powers the system faster
 - Deliver higher efficiency at lite load such as in standby mode or motionless conditions
 - Sustain up to 200% power load for the GPU's excursion
 - 600W dual 8-pin to 12VHWPR adapter cable (optional)
- **Longer Lifespan**
 - Dust-free Rotation technology enables the fan to activate self-cleaning when powering up
- **Efficiency & Security**
 - 80 PLUS® GOLD certification delivers up to 90% efficiency at 50% power load
 - 100% Japanese electrolytic capacitors, which offer stability and reliability to prolong lifespan
 - Multiple protection circuitries of OCP, OVP, UVP, OPP, SCP and OTP that provide a secure experience
 - 2 times peak power output provides more safety during heavy usage
- **Awesome Compatibility**
 - Half bridge LLC resonant converter & DC to DC circuit design offers higher output efficiency and voltage stability
 - Single rail +12V design, which bears higher electric current avoids PSU shutting down from heavy usage
- **Silence and Durability**
 - Semi-fanless technology for absolute silence under a 20% load
 - Providing better durability with a 12cm industrial-grade dual-ball bearing fan
- **User Friendly**
 - Compact design with a 140mm chassis in-depth provides more options for friendly installation in most of the mainstream cases



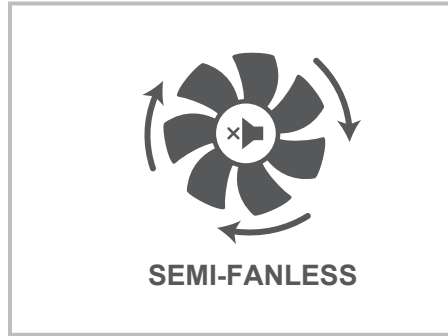
Dust-free Rotation (DFR) Function



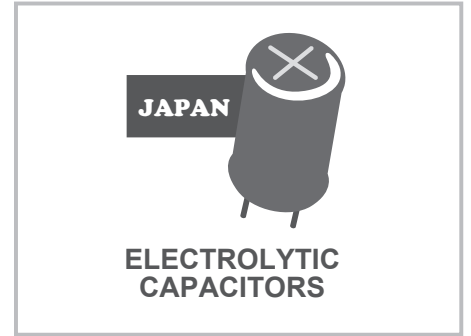
80 PLUS® GOLD Certified



Half Bridge LLC Resonant Converter
& DC to DC Circuit Design



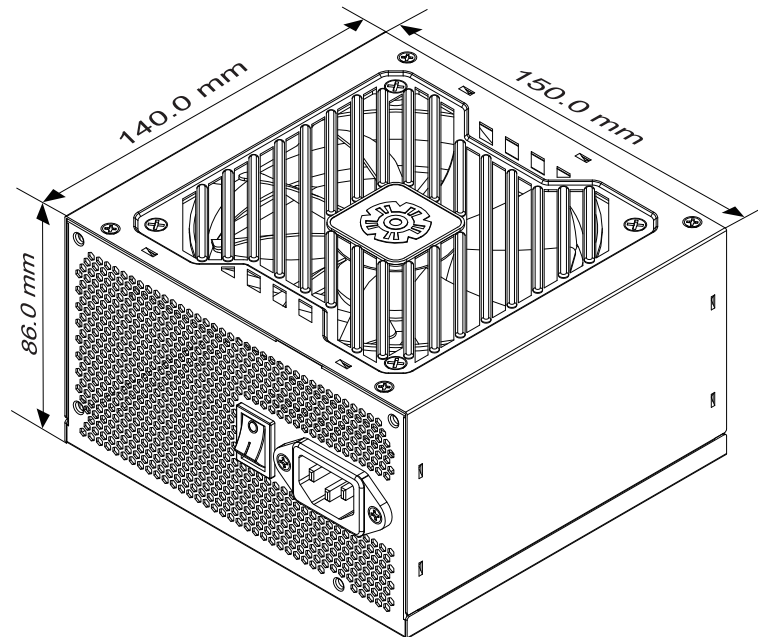
Smart Semi-fanless



100% Japanese Electrolytic Capacitors

Dimension

Unit : mm



Cables & Connectors

Product	Modular Cables						
	Mainboard 24P	CPU 4+4P (8P)	PCI-E 6+2P (8P)	SATA	4P Molex	FDD (adapter)	2xPCIe 8pin-12VHWRP Splitter Cable (optional)
850W	1	2	6	8	4	1	1
1050W	1	2	6	8	4	1	1
1200W	1	2	8	8	4	1	1

Specifications

General Data

80 PLUS EFFICIENCY	GOLD
MODULAR	Fully modular
CABLE TYPE	Black flat
FAN SIZE (MM)	120
OPERATING TEMPERATURE (°C)	40
MTBF (HOURS)	>100K
PROTECTION	OCP, OVP, UVP, OPP, OTP, SCP

Power Output

Model Number	ERS850EWT	ERS1050EWT	ERS1200EWT			
AC Input Voltage	100-240VAC, 47-63Hz	100-240VAC, 47-63Hz	100-240VAC, 47-63Hz			
AC Input Current	11-5.5A	13-6.5A	15-7A			
DC Output						
	Rated	Combined	Rated	Combined	Rated	Combined
+3.3V	20A	130W	20A	130W	20A	130W
+5V	20A		20A		20A	
+12V	70.5A	846W	87.5A	1050W	100A	1200W
-12V	0.3A	3.6W	0.3A	3.6W	0.3A	3.6W
+5Vsb	2.5A	12.5W	2.5A	12.5W	2.5A	12.5W
Total Power	850W		1050W		1200W	
Dimensions	150(W) x 86(H) x 140(D)mm					



Logistic Information

Model	ERS850EWT	ERS1050EWT	ERS1200EWT	
Bar code	EAN	4713157727305	4713157727312	4713157727329
	UPC	819315027301	819315027318	819315027325
Box Dimension	305 x 200 x 95 mm			
Gross Weight / Unit	2.39KG	2.51KG	2.60KG	
Carton Dimension	495 x 325 x 225 mm			
Q'ty / Carton	5pcs			
Gross Weight / Carton	12.55KG	13.15KG	13.89KG	