



PlatiGemini

1200W

PlatiGemini

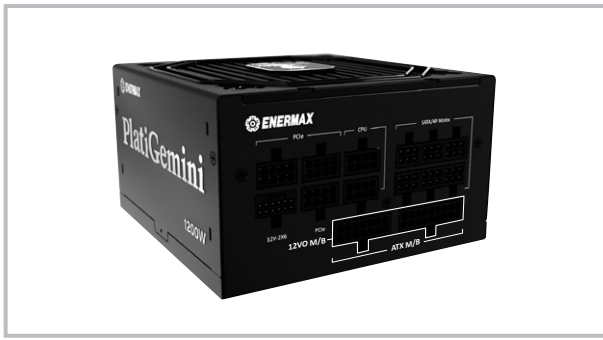


- *ATX3.1 and ATX12VO Both Standards Compatible*
- *Native 12V-2x6 Cable*
- *Up to 235% Power Excursion*
- *Dust-free Rotation Tech. with Switch Button*
- *Fully Modular 80 PLUS® PLATINUM Certified*
- *100% Japanese Capacitors*
- *Semi-fanless Tech. for Absolute Silence under 60% Load*



Features

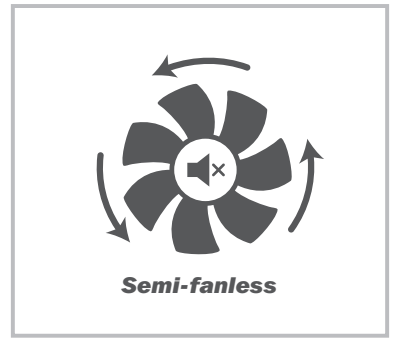
- **Dual ATX Standard Integration**
 - Integrated with both Intel ATX3.1 and ATX12VO standards, ensuring a seamless transition to the next generation.
 - Native 12V-2x6 connector that channels up to 600W power for PCIe 5.0 graphics cards, ensuring top-notch performance.
- **Excellent Performance Meeting High-End Requirements**
 - 80 PLUS® PLATINUM certified with 92% efficiency at 50% load, which saves more energy and reduces extra heat.
 - Accommodates up to 235% power excursion, catering to high-end GPU requirements.
- **Exclusive D.F.R. Function for Ultra Cleaness**
 - Patented Dust-free Rotation(D.F.R.) function with auto-cleaning upon powering up, enhancing system longevity by minimizing dust accumulation.
 - Additional switch button to activate D.F.R. function flexibly.
- **Silent Operation and Enhanced Durability**
 - Features semi-fanless control, in which the fan stops operating when the power is under 60% load, optimizing noise levels during lower power demands.
 - Incorporates 100% industrial-grade Japanese capacitors, ensuring top-tier reliability.
 - Equipped with a built-in 135mm dual-ball bearing fan.
- **Outstanding User Experience**
 - Mesh sleeved cables for organized and aesthetically pleasing cable management.



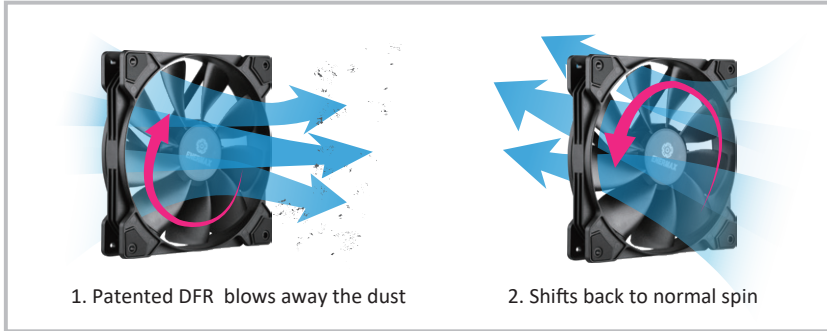
Ready for Intel ATX3.1 & ATX12VO Standard



Native 12V-2x6 Cable



Semi-fanless under 60% Load



1. Patented DFR blows away the dust

2. Shifts back to normal spin

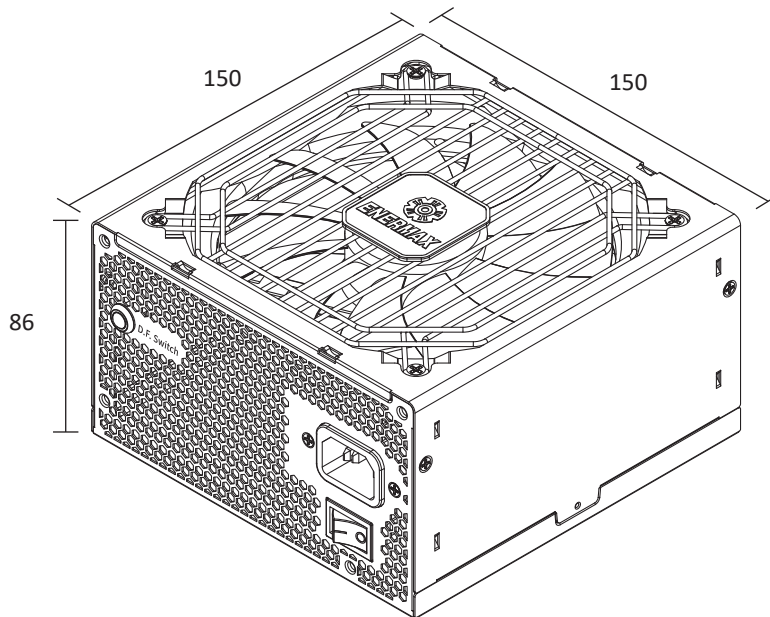
Dust-free Rotation(D.F.R) Function



D.F. Switch Button

Dimensions

Unit : mm



Cables & Connectors

Product	Connectors						
1200W	1	1	2	1	3	8	4

Specifications

General Data

80 PLUS Efficiency	PLATINUM
Modular	Fully Modular
Cable Type	Mesh Sleeved Cable
Fan Size (mm)	135
Operating Temperature (°C)	50
MTBF (hrs)	>100K
Protections	OCP, OVP, UVP, OPP, OTP, SCP

Power Table

Model	EGN1200P						
AC Input Voltage	100-240VAC, 50-60Hz 200-240VAC, 50-60Hz (for China)						
AC Input Current	15A-8A 8A (for China)						
ATX3.1							
DC Output		+3.3V	+5V	+12V	-12V	+5Vsb	Total Power
	Rated	20A	20A	100A	0.4A	3A	1200W
	Combined	100W		1200W	4.8W	15W	
ATX12VO							
DC Output		+12V		+12Vsb		Total Power	
	Rated	100A		1.5A		1200W	
	Combined	1200W		18W			
Dimensions	150(D) x 150(W) x 86(H) mm						



Logistics Information

Model	EGN1200P	
Barcode	EAN	4713157728180
	UPC	819315028186
Box Dimensions	330(W) x 195(D) x 130(H) mm	
Carton Dimensions	605(W) x 345(D) x 290(H) mm	
Q'ty / Carton	6 pcs	