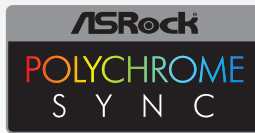


MK II MAKASHI II



- ▀ **Elegant Exterior Design**
- ▀ **Support Addressable RGB Lighting**
- ▀ **Provide 19 pre-set Lighting Effects**
- ▀ **Strong Cooling Potential**
- ▀ **Flexible System Configuration and Storage Option**



MAKASHI II MKT50, a full-tower computer case, is designed to display fascinating addressable RGB lighting effects by synchronizing with ASUS Aura Sync, ASRock Polychrome, GIGABYTE RGB Fusion, and MSI Mystic Light Sync. Its spacious system configuration design provides you the flexibility to upgrade your components. The 2nd generation of MAKASHI MK50 features 19 pre-set lighting effects, allowing you to enjoy the dynamic visual feast without connecting RGB-ready motherboards or software.

Features

▀ **Elegant Exterior Design**

The 2 lighting strips in the front panel embellish the case and make it more appealing



▀ **Support Addressable RGB Lighting Synchronization**

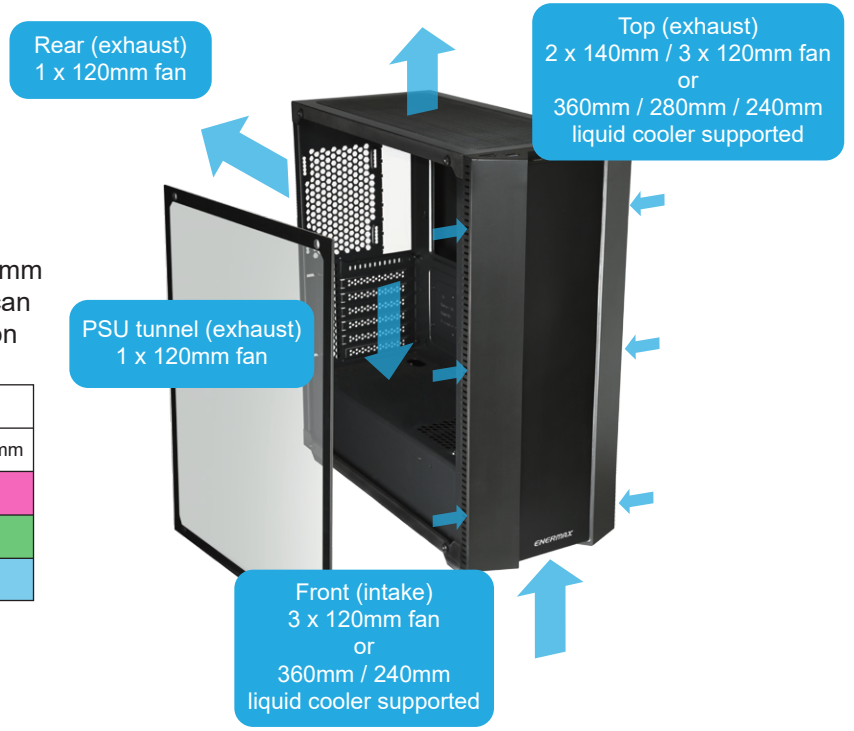
Support motherboards that have a 5V addressable RGB header and be able to control the lighting effects through the motherboard software, including ASUS Aura Sync, GIGABYTE RGB Fusion, MSI Mystic Light Sync and ASRock Polychrome



Strong Cooling Potential

MAKASHI II MKT50 can accommodate 360mm radiator in the front and on the top panel; it can also support 8x120mm cooling fan installation

Liquid Cooler Compatibility Chart					
Radiator size	360mm	280mm	240mm	140mm	120mm
Front			✓		✓
Top	✓	✓	✓	✓	✓
Rear					✓



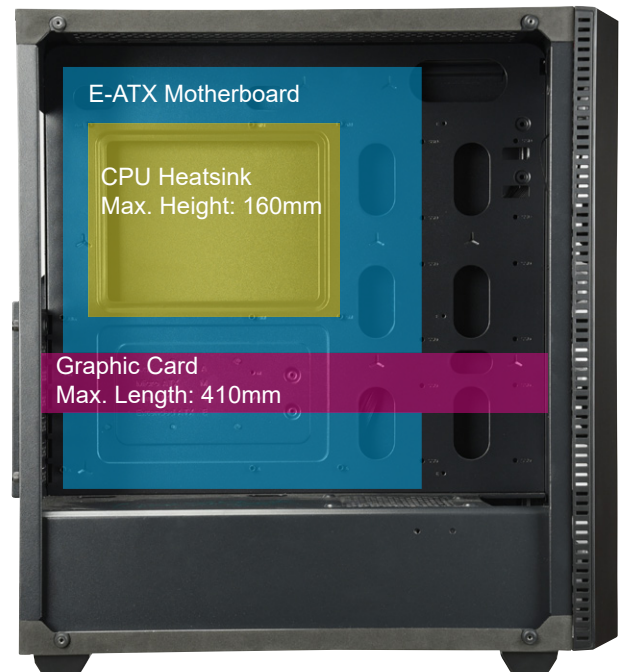
Pre-set 19 Lighting Effects

MAKASHI II offers 19 lighting effects, and you can select your preferred lighting style through the top I/O port

- * Long press the **lighting control button** for 3-5 seconds to switch the RGB sync controlled by M/B or case
- * The **reset button** is on the front I/O panel which is replaced by the **lighting control button**

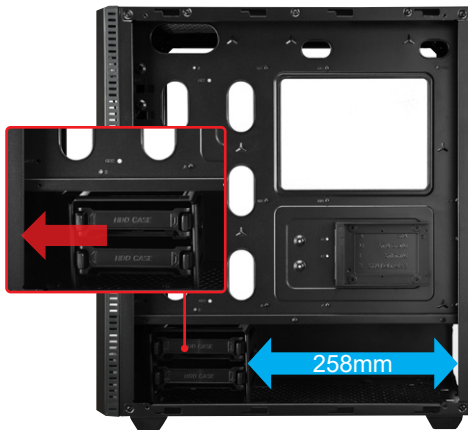
Flexible System Configuration

Support E-ATX/ ATX/ Micro-ATX/ Mini- ITX motherboards, graphic cards up to 410 mm in length, CPU cooler up to 160mm in height



Flexible Storage Option

Support up to 6 x 2.5" SSD or 2 x 3.5" SSD drives which you can install behind motherboard or inside the case to provide more choice of storage options for your system



Better Cable Management

Movable HDD cage can create extra space for longer PSU (max. 20cm) installation

Clean and Safe

Anti-dust rubber plugs prevent USB port oxidation and rust

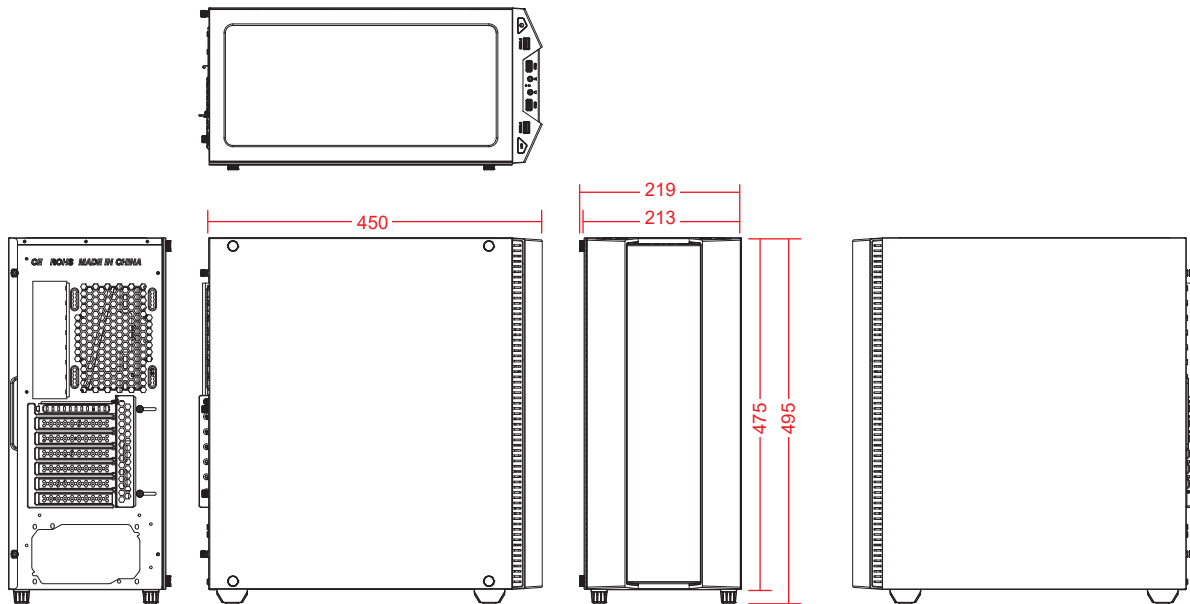


Edge-to-Edge Tempered Glass Side Panel

Full-view tempered glass side panel allows you to show off your rigs

Dimensions

unit:mm



Specifications

Model Name		ECA-MKT50-BB-ARGB
Dimensions		D450 x W213 x H495mm
Material		SPCC, T=0.6mm
M/B Type		E-ATX, ATX, Micro ATX, Mini ITX
LED Strips		Addressable RGB Pin assignment: 5V / D / G
I/O		USB3.0 x 1, USB2.0 x 2, HD Audio, Lighting control
Drive Bays	3.5"	2
	2.5"	6 (2 x Converted from 3.5" HDD tray)
Expansion Slots		7
Fan Slots	Front	3 x 120mm
	Top	2 x 140mm / 3 x 120mm
	Rear	1 x 120mm
	PSU Tunnel	1 x 120mm
Liquid Cooling	Front	360mm / 240mm radiator
	Top	360mm / 280mm / 240mm radiator
	Rear	120mm radiator
PSU		180mm / 200mm (Moving HDD cage forward)
Clearance		Suggested VGA Card Length: 410mm
		Suggested CPU Cooler Height: 160mm
Shipping information		
Barcode	EAN	4713157725097
	UPC	819315025093
Carton Dimension		D535 x W270 x H520mm
Gross weight		8 Kgs
Net weight		6.8 kgs