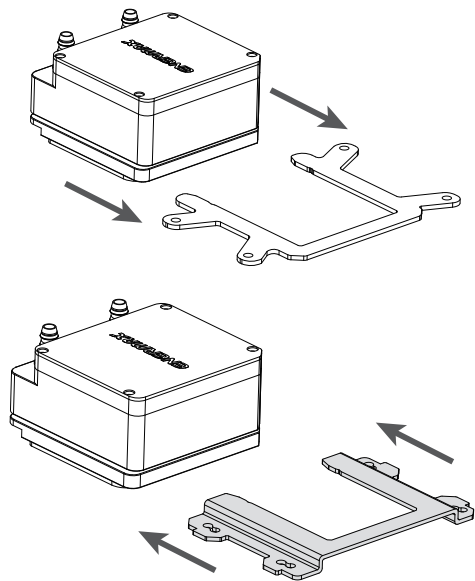
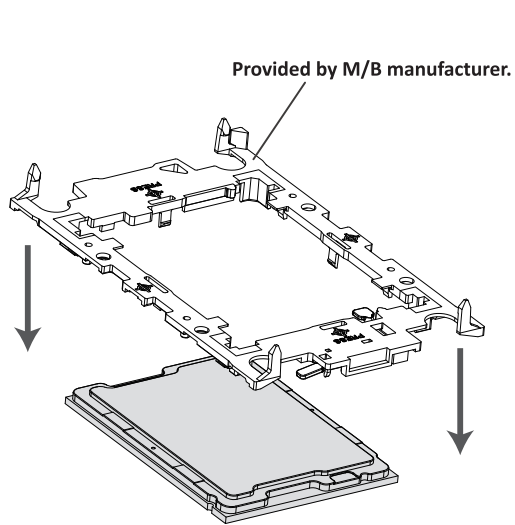


LGA 4677 Installation

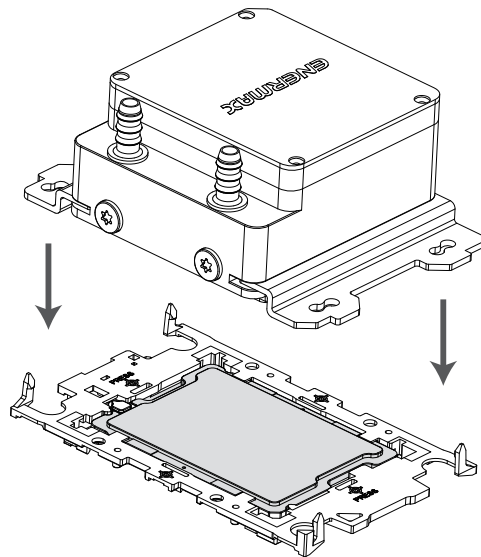
Step A



Step B



Manual Step 3,4 → Step C



Step D

