



ELC-LMF240-SF

LIGHTMAXFLO SR

LIQMAXFLO SR

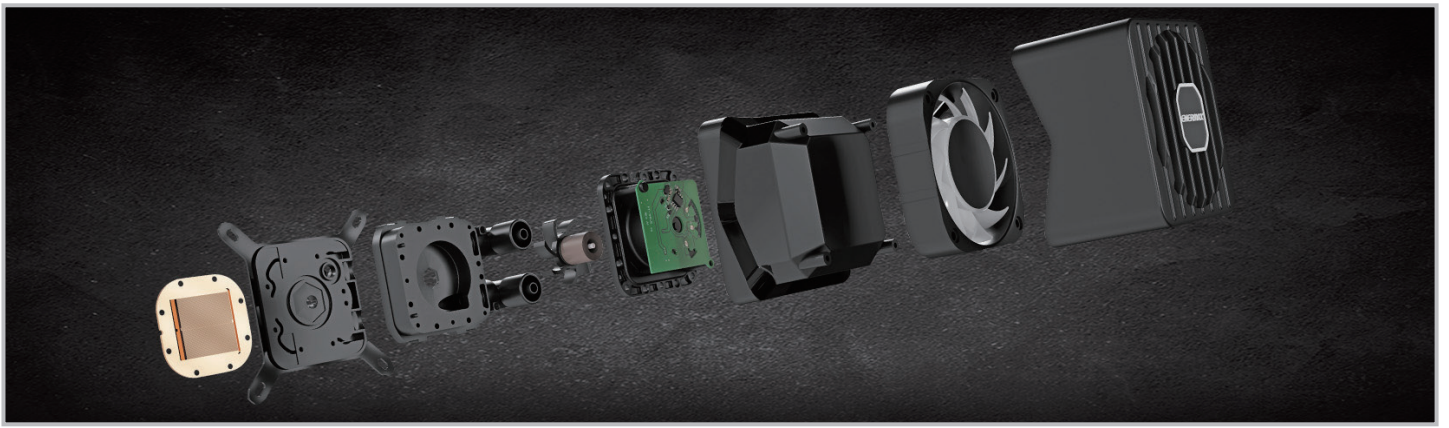


- *Advanced Dual-Chamber Xtreme Pump with Patented SCT Tech.*
- *Ultra cool with 60 mm VRM Fan.*
- *Equipped with High-Performance Silent Flow Fan.*
- *Magnetic and Rotatable AIO cover design.*
- *Pre-Applied Premium Thermal Grease.*

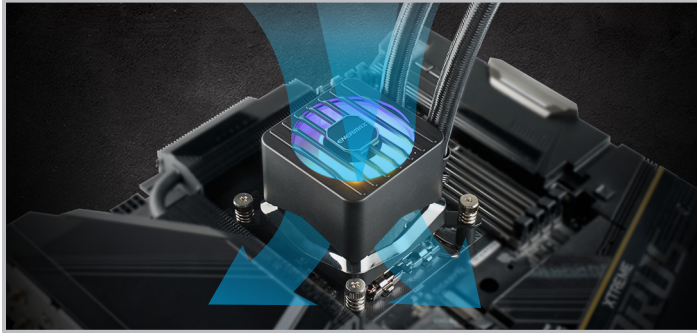


Features

- **A Better Cooling Performance**
 - 60mm VRM fan, provides extra airflow for the VRM area on the upper motherboard.
 - Dual-Chamber Xtreme Pump enhances the cooling performance by enabling a larger and more powerful water flow.
 - Patented Shunt Channel Technology, shortens the coolant flow path, resulting in faster heat transfer.
- **More Silent Operation**
 - The exclusive Silent Flow Fan with its 3mm thicker blades and optimized angles, strikes a balance between advanced cooling and minimized noise.
 - All PWM-controlled designs, allow AIO to alter their speed and airflow based on system loading, creating a quieter environment.
- **Easier Installation**
 - Magnetic and rotatable pump cover, which can be changed to 90° for easier customization.
 - 3 tube clips for tubes and cables strengthen cable management.
 - A succinct cable connection design simplifies the fan installation.
 - Pre-applied premium thermal grease offers effortless installation and provides an extra tube of thermal grease.
- **Personal Lighting Effect**
 - Motherboard Synchronization, coordinate your visual effects through supported RGB software and motherboard synchronization.



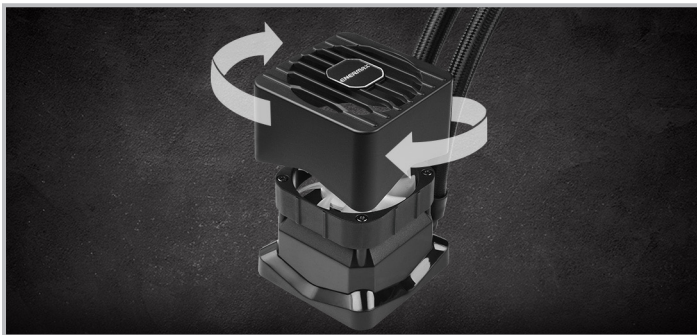
The Next-Gen Dual-Chamber Xtreme Pump with Patented Shunt-Channel Technology



60mm VRM Fan with Speed Up to 3000RPM



High-Performance PWM Fan



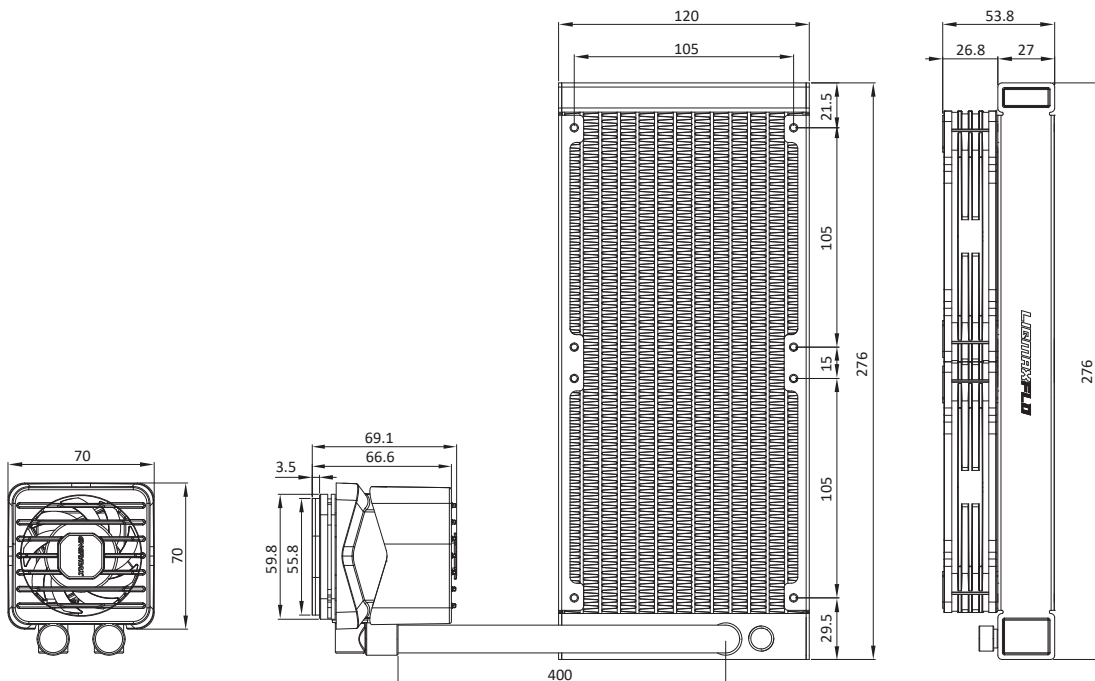
Magnetic & Rotatable AIO Cover for Easy Customization



3 Tube Clips to Strengthen Cable Management

Dimension

unit : mm



Specifications

Model		ELC-LMF240-SF	
CPU Socket		Intel® LGA 1700/1200/115x/2066/2011/2011-3(Square ILM)/1366 AMD® AM5/AM4	
Radiator Dimension		276 x 120 x 27mm	
Tube Length		400 mm	
Material		Cold Plate	Copper
		Radiator	Aluminum
		Tube	Rubber
Water Block	Pump	Speed	1200~3000 RPM
		Bearing	Ceramic bearing
		MTBF	50,000 hr
		Rated Voltage	12V
	VRM Fan	Rated Current	0.43 A
		Speed	500~3000 RPM
		Rated Current-RGB LED	0.24 A
Fan		Dimension	120 x 120 x 26.8 mm
		MTTF	60,000 hr
		Speed	500~1800 RPM
		Rated Voltage	12V
		Rated Current	0.08A
		Air Flow	58.03 CFM (Maximum)
		Static Pressure	2.4 mmH ₂ O (Maximum)
		Noise Level	23.46 dBA (Maximum)
		Connector	4 Pin PWM
Thermal Grease		Dow Corning® TC-5888	
TDP		350W	
Logistic information			
Barcode		EAN: 4713157727251	
		UPC: 819315027257	
Box Dimension		322 x 205 x 137 mm	
Gross Weight / unit		2.18 kg	
Carton Dimension		435 x 338 x 440 mm	
Q'ty / carton		6 pcs	
Gross Weight / Carton		13.05 kg	