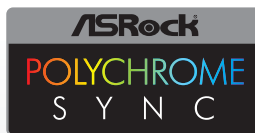


LIQFUSION

AIO CPU Cooler



ELC-LF240-RGB



- Exclusive RGB-sync waterblock with patented flow indicator design
- Support the latest addressable RGB M/B sync
- Integrated RGB control box
- High-efficiency ceramic bearing pump for exceptional durability and noiseless operation



LIQFUSION, an individually addressable RGB liquid cooler for Intel and AMD CPU platforms, is built with an exclusive RGB-sync water-block featuring patented flow indicator, which enables the user to easily monitor the status of coolant flow. Together with visually appealing ENERMAX addressable RGB fans, LIQFUSION can create unique, vivid RGB lighting effects. The addressable RGB water cooler is designed to sync the RGB lighting with selected GIGABYTE, MSI and ASROCK motherboards with addressable RGB headers. Meanwhile, LIQFUSION also includes integrated RGB control box for non RGB-Sync motherboards.

Features

- **Patented flow indicator design**
Patented flow indicator allows users to visually monitor cooling loop operation and coolant level



- **Addressable RGB lighting synchronization**
Synchronizable RGB Lighting via the latest addressable RGB header of motherboards (3 pin assignment is 5V/D/G)

ENERMAX T.B. RGB AD. fans

ENERMAX T.B. RGB AD. fans support the latest addressable RGB-sync function to provide an incredible RGB lighting experience



2 ways to control RGB lighting effects



Through Motherboard Software

Users can sync the RGB lighting with motherboards featuring addressable RGB headers (3 pin assignment is 5V/D/G)



Through ENERMAX RGB Control Box

Users can use the included control box to adjust preferred lighting effects (10 pre-set effects), brightness and speed.



High-efficiency ceramic pump with rubber cover

The pump is attached to the rubber tubes for optimum vibration damping and silent operation

240mm radiator

Micro fiber channels and large cooling surface for high performance with up to 320W TDP

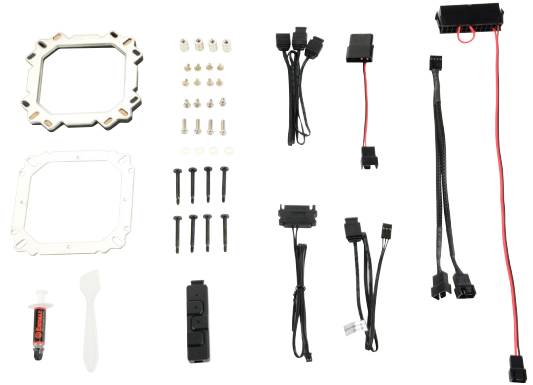




▼ Premium 400mm braided tubing is perfect for mainstream system builds

▼ Universal metal mounting kits

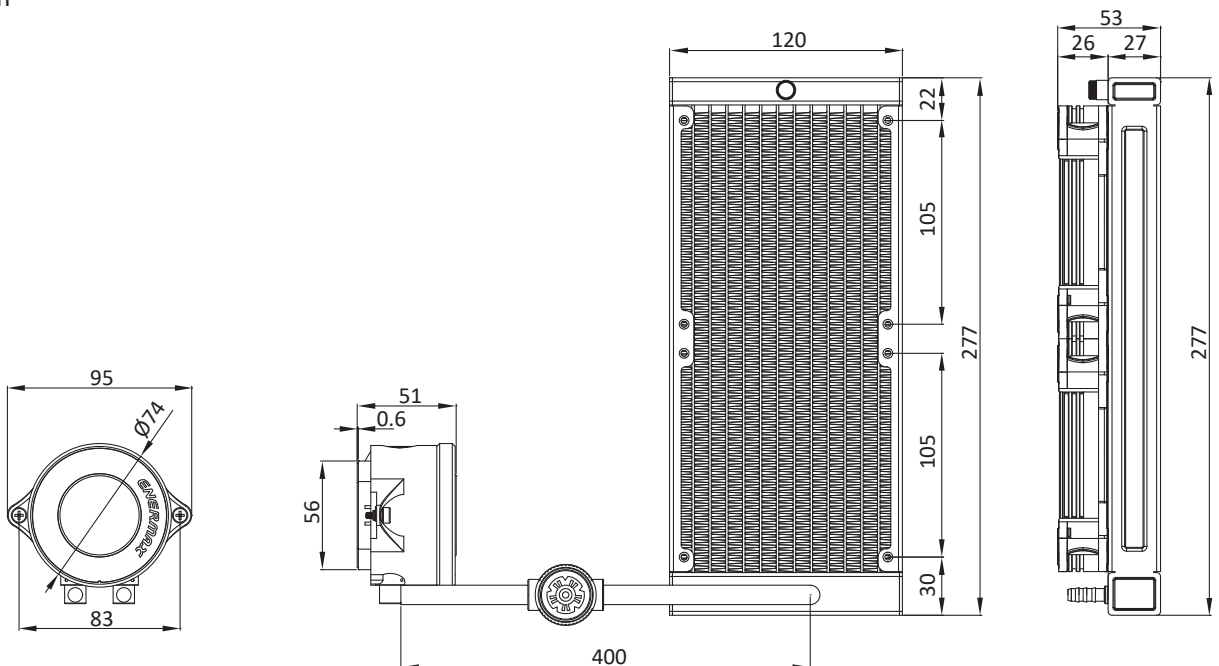
Support the latest Intel® and AMD® sockets for easy and solid installation (excluding TR4/SP3 socket)



▼ Dow Corning® TC5121C thermal grease

Dimensions

unit:mm



Model Number		ELC-LF240-RGB
CPU Socket		Intel® LGA 2066/2011-3/2011/1366/1156/1155/1151/1150 AMD® AM4/AM3+/AM3/AM2+/AM2/FM2+/FM2/FM1
Material		Copper base with Aluminum Radiator
Pump	Bearing	Ceramic bearing
	MTBF	50,000 hrs
	Rated Voltage (V)	12V
	Rated Current (A)	0.18A
Water Block	Rated Current (A)	0.57A (5V)
Radiator Dimension		277 x 120 x 27 mm
Fan	Dimension	120 x 120 x 25 mm
	Bearing	Twister Bearing
	MTTF	≧ 160,000 hrs
	Speed	500 - 2000 RPM (±10%)
	Rated Voltage (V)	12V
	Rated Current - Fan (A)	0.15A
	Rated Current - RGB LED (A)	0.8A (5V)
	Air Flow	13.71 ~ 62.1 CFM
	Static Pressure	0.19 ~ 2.95 mm-H ₂ O
	Noise Level	14 ~ 28 dBA
Connector		4 Pin PWM + 3 Pin RGB (W/ extension adapter)
Thermal Grease		Dow Corning® TC-5121C
Maintenance Kit		100ml coolant, 1g thermal grease
Shipping information		
Barcode	EAN	4713157723383
	UPC	819315023389
Box Dimension		315 x 235 x 135 mm
Gross Weight / unit		2.35 kg
Carton Dimension		582 x 496 x 347 mm
Q'ty / carton		8 PCS
Gross Weight / Carton		18.8 kg