

LIBLIUSION LL30



- ▀ Simple and Elegant Front Panel Design with LED Strip
- ▀ Support Addressable RGB Lighting Synchronization
- ▀ Integrated Hub for 6x Addressable RGB Devices

LIBLLUSION LL30 is a mid-tower addressable RGB gaming chassis, featuring minimalist front panel design with multiple special RGB lighting strips. The lighting strips in the front and side panel are designed to synchronize with addressable RGB-ready motherboards to deliver 16.8 million color options. LIBLLUSION LL30's integrated hub enables users to control 6x RGB devices' lighting in sync through motherboards software or the control button on the chassis. Detachable PSU side cover and removable HDD cage help facilitate installation and cable routing. LIBLLUSION LL30 is the tailored choice for mainstream gaming systems.



Features

- ▀ **Minimalist front panel design**

LIBLLUSION LL30 features a black front panel with multiple special RGB lighting strips to deliver an elegant style





Addressable RGB lighting

The front and side lighting strips are designed to synchronize with addressable RGB-ready motherboards to provide 16.8 million color options

Squa RGB fan

Squa RGB fan offers an incredible visual experience with square-shaped lighting and the gleam through holes around the back of frame. In addition to brilliant RGB lighting, SquA RGB's Air Inlet design and Vortex frame help generate more airflow and stronger air pressure for superior cooling efficiency



2 ways to control addressable RGB lighting effects



Through Motherboard Software

Users can sync the RGB lighting with motherboards featuring addressable RGB headers (3 pin assignment is 5V/D/G)



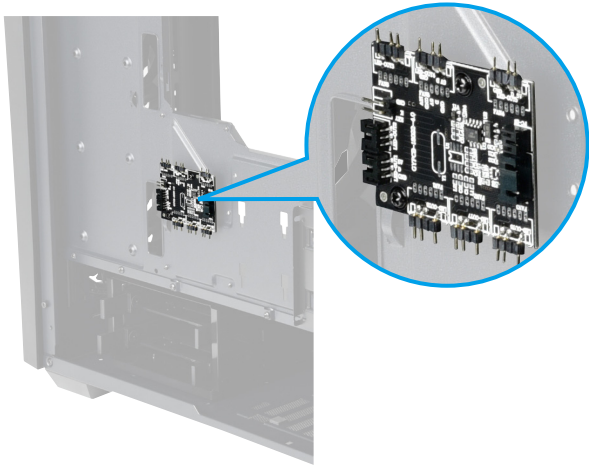
Through Computer Case

Users can use the *lighting control button to adjust preferred lighting effects (13 pre-set lighting effects: Rainbow, Snake, Peach & Green scroll, Colors breathe, Colors scroll, Bilateral colors scroll, Red, Green, Blue, White, Yellow, Azure, and Peach.)



* Long press the **lighting control button** for 2~3 seconds to switch the RGB sync controlled by M/B or case

* The **reset button** located on the front I/O panel is replaced by the **lighting control button**



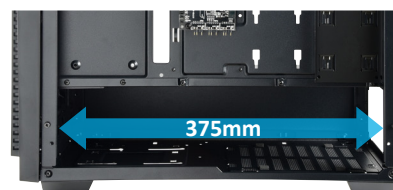
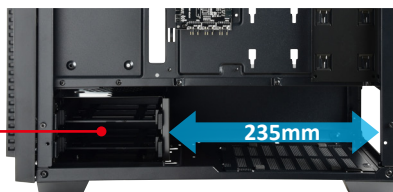
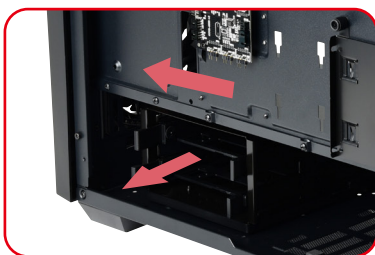
Integrated hub

For those who do not use the RGB-sync motherboards, the integrated hub allows users to keep 6x addressable RGB devices' lighting in sync

Versatile water cooling options

Flexible cooling system configuration supports 3x designated areas for liquid cooler installation

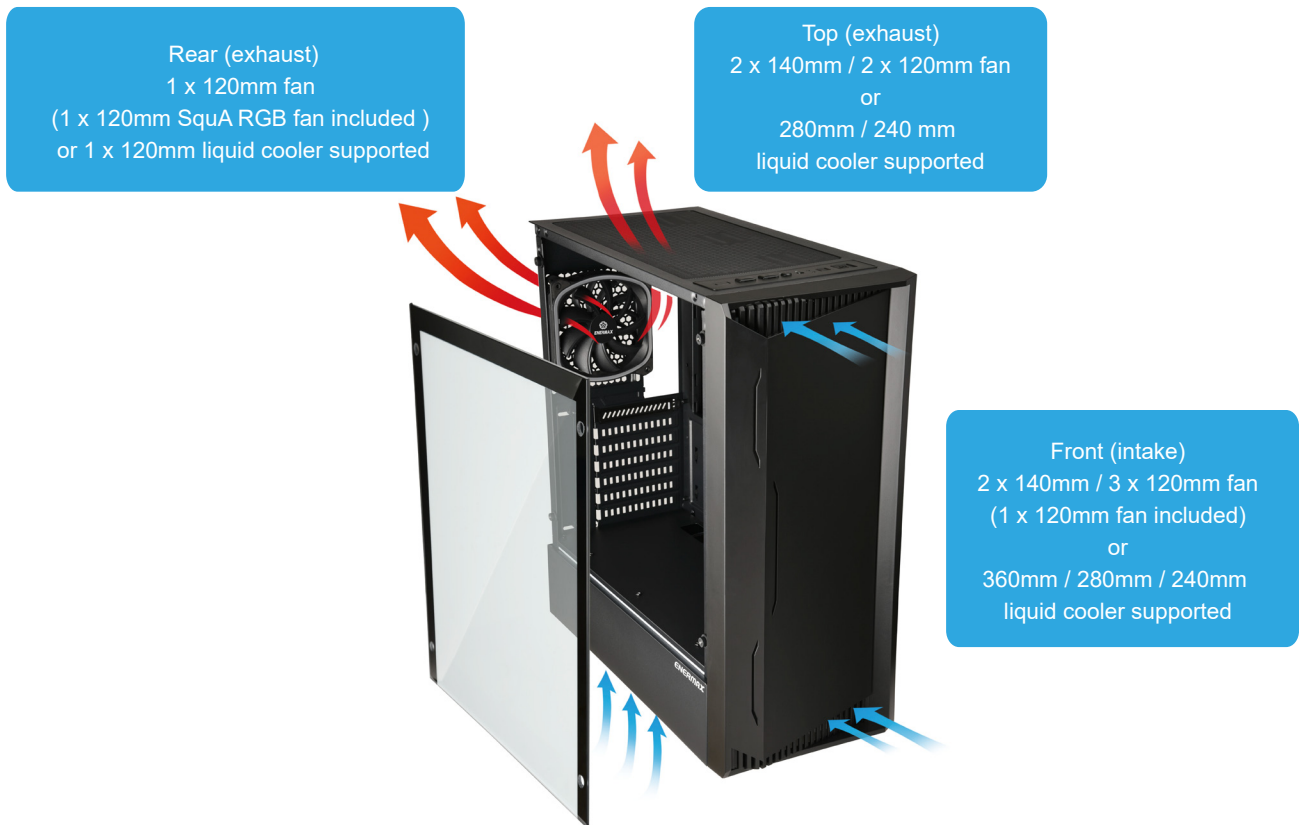
Liquid Cooler Compatibility Chart					
Radiator size	360mm	280mm	240mm	140mm	120mm
Front	✓	✓	✓	✓	✓
Top		✓	✓	✓	✓
Rear					✓



Removable HDD cage

Removable HDD cage creates the flexible space for PSU cable routing

Advanced cooling system



Flexible system configuration



Detachable PSU side cover

PSU-Tunnel design with detachable PSU side cover not only provides easy installation but also makes the system clean and neat



4mm panoramic tempered glass window

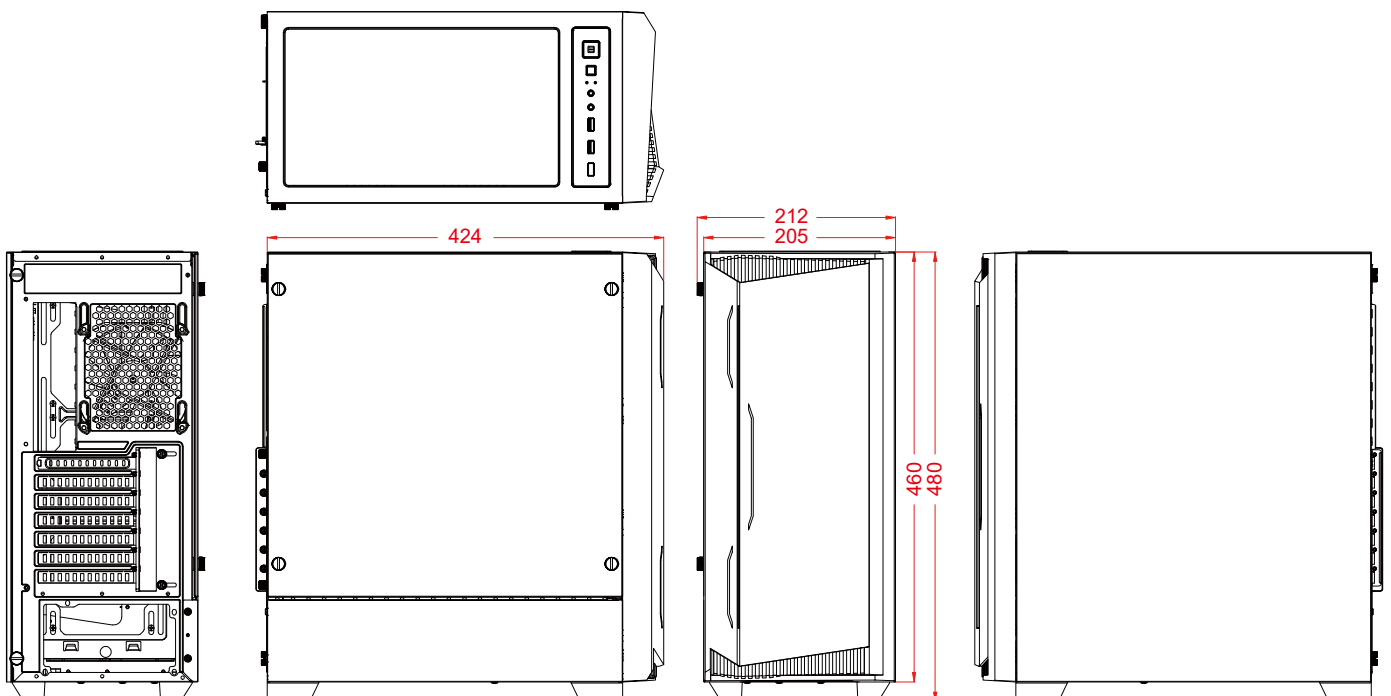
4mm full-view tempered glass side panel allows you to show off your rigs



Anti-dust rubber plugs

Dimensions

unit:mm



Model Number		ECA-LL30-M1BB-ARGB
Dimensions (Case)		424mm x 205mm x 480 mm
Material		0.6mm SPCC
M/B Type		ATX, Micro ATX, Mini ITX
IO		USB 3.0 x 2, HD Audio
Drive Bays	3.5"	2
	2.5"	5 (2x converted from 3.5" Tray)
Expansion Slots		7
Fan Slots	Front	2 x 140mm or 3 x 120mm (1 x 120mm fan pre-installed)
	Top	2 x 140mm or 2 x 120mm
	Rear	1 x 120mm (1 x 120mm SquA RGB fan pre-installed)
Liquid Cooling	Front	360mm / 280mm / 240mm radiator
	Top	280mm / 240mm radiator
	Rear	120mm radiator
PSU Support		Standard ATX Type
Clearance		Suggested VGA Card Length: 375mm
		Suggested CPU Cooler Height: 157mm
Shipping information		
Barcode	EAN	4713157724298
	UPC	819315024294
Carton		D520 x W250 x H485 mm
Gross Weight		5.69kg
Net Weight		6.53kg

*Options vary by countries or regions.