

ETS-T50 AXE

Addressable RGB Version



Black Version

ETS-T50A-BK-ARGB



White Version

ETS-T50A-W-ARGB



- Support up to 230W+ TDP
- High pressure blade design (max. 3.07 mm-H₂O)
- Patented Rotatable Air Guide
- Support addressable RGB motherboard sync
- Plug & Play to display the rainbow RGB lighting effect, no software or adaptor needed

ETS-T50 AXE ARGB series is a side-flow CPU air cooler, supporting 230W+ TDP and synchronizing with addressable RGB enabled motherboards. Equipped with patented Air Guide allows users to adjust airflow direction to enhance the system's cooling performance; the attached high pressure blade fan can generate stronger airflow to cool down the heatsink rapidly. The heatsink is characterized with patented Vortex Generation Flow (VGF) design and Pressure Differential Flow (PDF) design to create dynamic airflow and increase heat dissipation. ETS-T50 AXE ARGB further provides plug & play function to display vivid rainbow RGB lighting effect by simply connecting a PWM power cable.



Black Version
ETS-T50A-BK-ARGB



White Version
ETS-T50A-W-ARGB

Features



- Luminous addressable RGB fan delivers 16.8 million colors with dynamic lighting effects

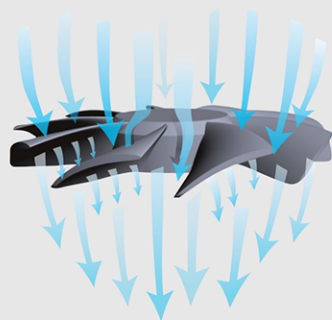
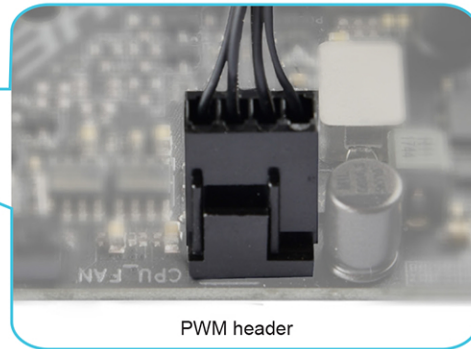
- Support Addressable RGB lighting synchronization via motherboard

Users can sync the RGB lighting with motherboards featuring Addressable RGB header (3 pin assignment is 5V/D/G) and control lighting effects directly from ASUS Aura Sync, GIGABYTE RGB Fusion, MSI Mystic Light Sync and ASRock Polychrome.

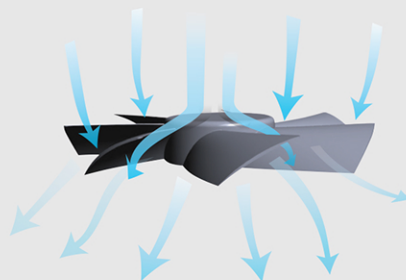


Plug & Play to display rainbow RGB lighting effects

Users can use the PWM power cable to connect the fan to create constant rainbow RGB lighting effects, no software or adaptor needed.



ETS-T50 AXE-
Addressable RGB Version



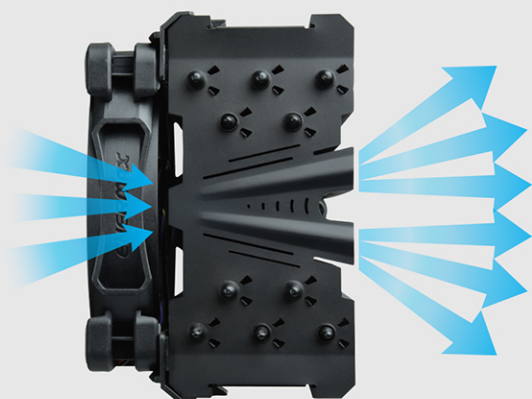
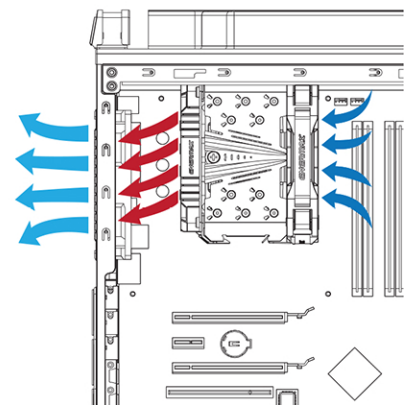
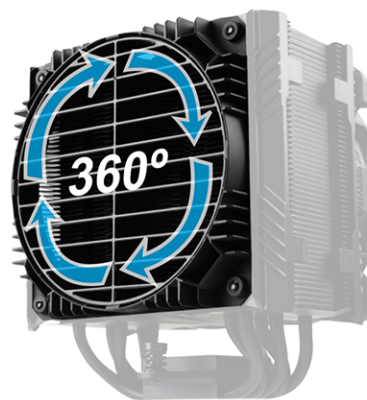
Other cooler – Normal fan

High Pressure Technology

High pressure blade design is a precision engineering of the blade angle and shape calculation. The blades centralize dispersed airflow to the center of the fan and create extremely high air pressure high airflow while maintaining outstanding quietness.

Patented Air Guide with rotatable grill

Patented Air Guide with rotatable grill for preferred airflow direction.



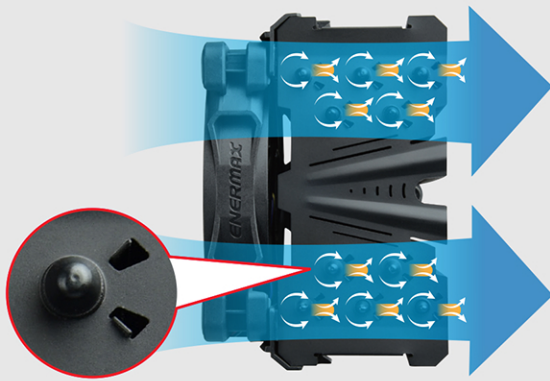
+ 15%
airflow

Patented Pressure Differential Flow (PDF) design

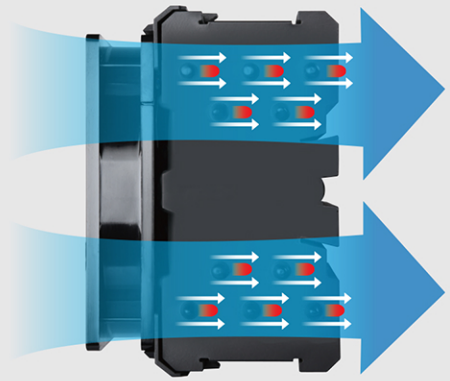
Patented Pressure Differential Flow (PDF) design uses differential wind pressure to increase 15% more airflow.

Patented Vortex Generation Flow (VGF) design

Patented Vortex Generation Flow (VGF) design to increase air convection around the heat pipe.

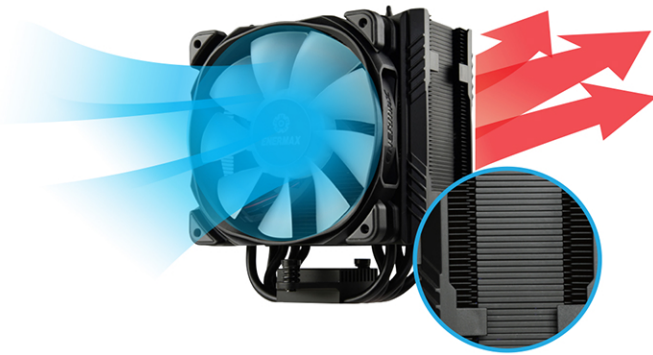


ETS-T50 AXE

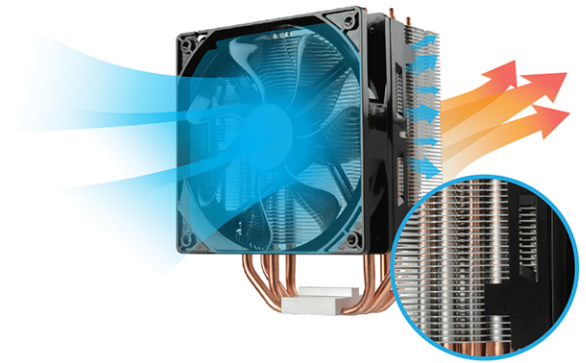


Other cooler

Unique air path creating high Vacuum Effect (VEF) to optimize airflow



ETS-T50 AXE – no air leaks from sides



Other cooler - air leaks from sides

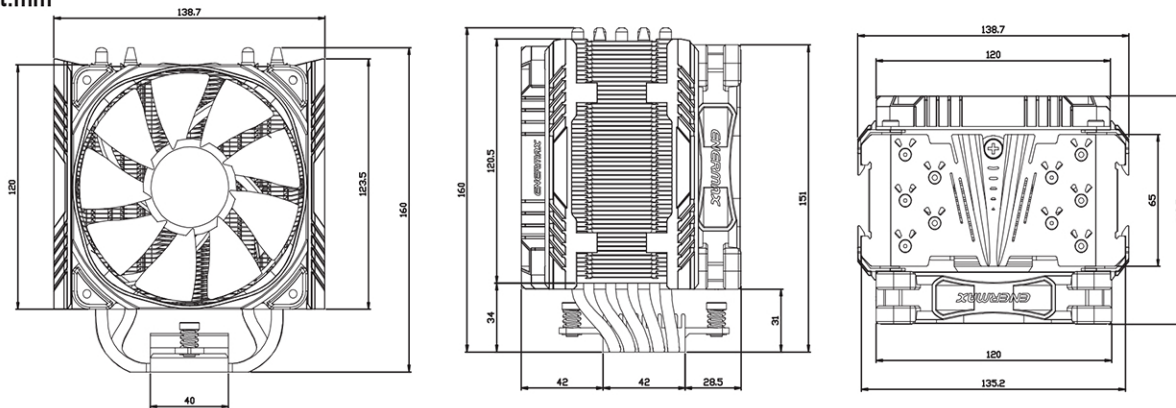


Heat-pipe Direct Touch (HDT) technology to ensure rapid thermal conduction and eliminate CPU hot spots

Asymmetric heat pipe design allows extra space for ideal RAM compatibility



unit:mm



Specifications

Model		ETS-T50A-BK-ARGB	ETS-T50A-W-ARGB
CPU Socket		Intel® LGA 1700/2066/2011-3/2011/1366/1200/1156/1155/1151/1150 AMD® AM5/AM4/AM3+/AM3/AM2+/AM2/FM2+/FM2/FM1	
Overall Dimension		138.7(L) x 112.5(W) x 160(H) mm	
Heat Sink Dimension		135.2(L) x 65(W) x 160(H) mm	
Weight		860 g (w/ fan)	
Heat Pipe		5 x Ø6 mm	
Material		Copper Heat Pipes/ Aluminum Fins	
Thermal Grease		Dow Corning® TC-5121 C	
Fan	Dimension	120 x 120 x 25 mm	
	Speed	500 ~ 1600 (±10%) RPM	
	Air Flow	23.81 ~ 71.32 CFM	
	Air Flow	40.45 ~ 121.17 m³/h	
	Static Pressure	0.673 ~ 3.07 mm-H ₂ O	
	Noise	14 ~ 24 dBA	
	Rated Voltage-Fan	12 V	
	Rated Current- Fan	0.16 A (or 0.39A when connecting to the PWM header only)	
	Rated Voltage - RGB LED	5 V	
	Rated Current - RGB LED	0.36 A	
	Bearing Type	Twister Bearing	
	MTTF	≥ 160,000 hours @ 25°C	
Connector	4 pin PWM connector 3 pin ARGB connector (5V/DI-/IG)		

Shipping Information

Bar code	EAN	4713157724199	4713157724205
	UPC	819315024195	819315024201
Box dimension		222 x 175 x 130 mm	
Gross Weight / unit		1.438 kg	
Carton dimension		460 x 370 x 295 mm	
Q'ty / carton		8	
Gross Weight / carton		12 kg	