



ETS-F40-BK-ARGB



ETS-F40-W-ARGB

ETS-F40-FS

B&W ADDRESSABLE RGB VERSION

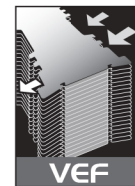


ETS-F40-FS

B6W ADDRESSABLE RGB VERSION



- LUMINOUS ADDRESSABLE RGB CAP AND FAN
- 200W TDP BY PROVIDED 140MM SILENT HUB ARGB FAN
- 140MM SILENCE FAN DESIGN
- PATENTED VORTEX GENERATOR FLOW DESIGN (VGF)



Features

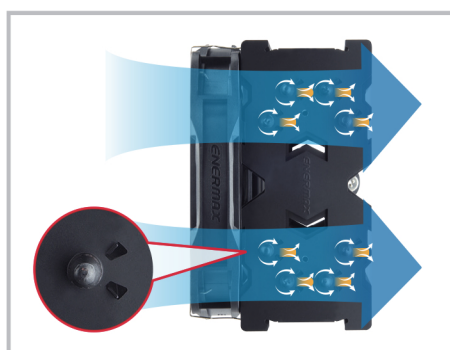
- Personalized PC rigs display
 - High quality black or white coating
 - Luminous addressable RGB cap and fan
- Advanced silent & cooling features
 - Enlarged 140mm fin design
 - 4xø6 heat-pipes with heat-pipe direct touch base design
 - Vortex Generator Flow design (patented)
 - Vacuum Effect Flow on two sides of fin
 - Additional fan clips
- Compatibility & user-friendly design
 - Compact size with a total height of 158mm
 - All-in-one backplate design



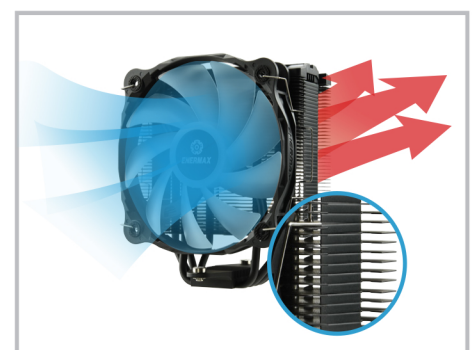
Luminous Addressable RGB Cap and Fan



4xø6 heat-pipe direct touch base design



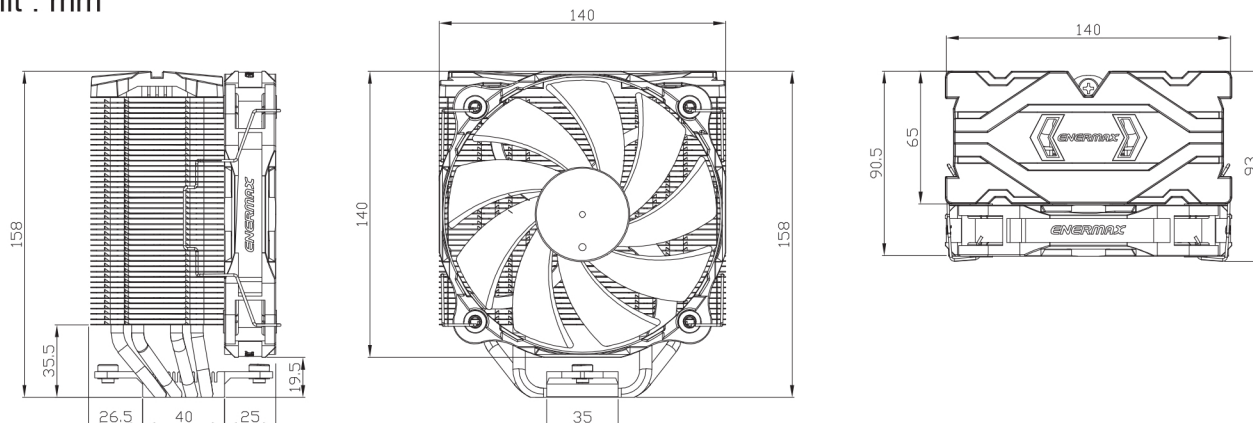
Vortex Generator Flow design (patented)



Vacuum Effect Flow on two sides of fin

Dimension

unit : mm



Specifications

Model		ETS-F40-BK-ARGB	ETS-F40-W-ARGB
Compatible Socket		Intel® LGA 1700/2066/2011-3/2011/1366/1200/1156/1155/1151/1150 AMD® AM5/AM4/AM3+/AM3/AM2+/AM2/FM2+/FM2/FM1	
Overall Dimension		140 x 93 x 158 mm	
Weight		800 g (W/ fan & top cover)	
Heat Pipe		4 Ø6 mm	
Rated Voltage - RGB LED (Top cover)		5V (3pin ARGB connector, 5V/D/-/G)	
Rated Current - RGB LED (Top cover)		0.47A	
Material		Copper Heat Pipes / Aluminum Fins	
Thermal Grease		Dow Corning® TC-5121C	
Fan	Dimension	140 x 140 x 25.5 mm	
	Speed (RPM)	300 ~ 1200 ±10%	
	Rated Voltage	12V	
	Rated Current	0.15A	
	Rated Voltage - RGB LED	5V (3pin ARGB connector, 5V/D/-/G)	
	Ratec Current - RGB LED	0.42A	
	Air Flow (CFM)	18.11 ~ 74.33 CFM (Max.)	
	Air Flow (m³/h)	30.75 ~ 126.21 m³/h	
	Static Pressure (mm-H2O)	0.13 ~ 2.17 mmH2O	
	Noise (dBA)	10 ~ 23 dBA	
Connector		4pin PWM connector, 3pin ARGB connector (5V/D/-/G)	
Logistic information			
Bar code	EAN	4713157725356	4713157725363
	UPC	819315025352	819315025369
Box dimension		145 x 124 x 182 mm	
Gross Weight / unit		1.12 kgs	
Carton dimension		388 x 305 x 394 mm	
Q'ty / carton		12pcs	
Gross Weight / carton		13.4 kgs	