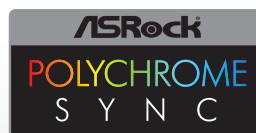


AQUAFUSION

AIO CPU Cooler



ELC-AQF240-SQA-W



- ▶ Glossy acrylic and Aurabelt™ water block for vivid lighting effects
- ▶ Patented Dual Chamber water block design
- ▶ Patented Shunt Channel Technology
- ▶ ENERMAX SquA RGB fans included
- ▶ Supports addressable RGB M/B sync

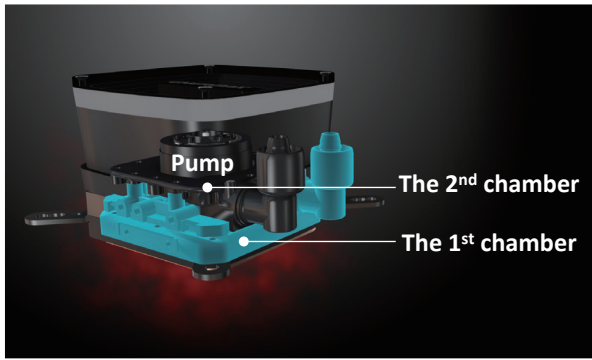


AQUAFUSION, an addressable RGB liquid cooler for Intel® and AMD® CPU platforms, includes a unique RGB water-block with glossy acrylic cover and luminous Aurabelt™ for splendid step-shaped lighting effects. Together with ENERMAX SquA RGB fans, AQUAFUSION can create dynamic visual experience via motherboard software or included control box. The included ENERMAX SquA RGB fans featuring vortex frame design can generate centered and stronger air pressure, especially perfect for radiator. The Patented Dual Chamber design inside water block has a Central Coolant Inlet (CCI) structure, combined with the Shunt-Channel Technology (SCT) on the cold plate, it is able to inject the coolant at the hottest spot to prevent heat surges and shorten the coolant flow path, resulting in faster heat transfer. AQUAFUSION is one of a kind cooling solution for custom gaming rigs or stunning system builds.

Features

- ▶ Luminous Aurabelt™ for vivid lighting effects
The 3D Layer Design with Aurabelt™ provides unique rainbow effects with 16.8 million colors

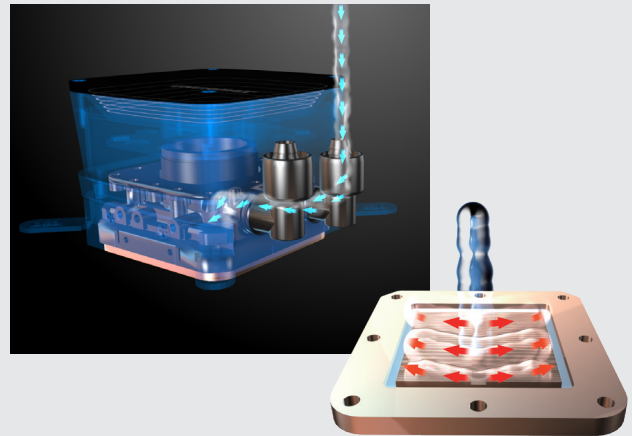




- Patented Dual-Chamber Design water block**
 Patented Dual-Chamber Design isolate the pump from the heat to prolong the cooler's lifetime

- Central Coolant Inlet (CCI) design and patented Shunt-Channel Technology (SCT)**

Patented Dual Chamber Design water block has a Central Coolant Inlet (CCI) structure, combined with the Shunt-Channel Technology (SCT) on the cold plate, it is able to inject the coolant at the hottest spot to prevent heat surges and shorten the coolant flow path, resulting in faster heat transfer



- ENERMAX SquA RGB (fans)**
 ENERMAX SquA RGB, square-shaped addressable RGB fans featuring vortex frame design can generate centered, stronger air pressure, especially perfect for radiator

- Addressable RGB lighting synchronization**

AQUAFUSION is designed to synchronize to addressable RGB motherboards (3 pin assignment is 5V/D/G) which users can program preferred lighting effects via motherboard software



2 ways to control RGB lighting effects



Through Motherboard Software

Users can sync the RGB lighting with motherboards featuring addressable RGB headers (3 pin assignment is 5V/D/G)



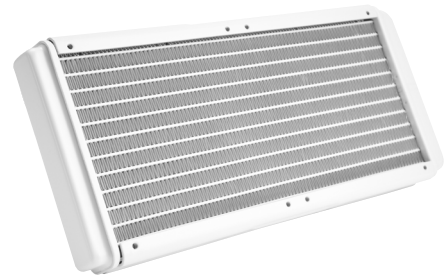
Through ENERMAX RGB Control Box

Users can use the included control box to adjust preferred lighting effects (10 pre-set effects) brightness and speed



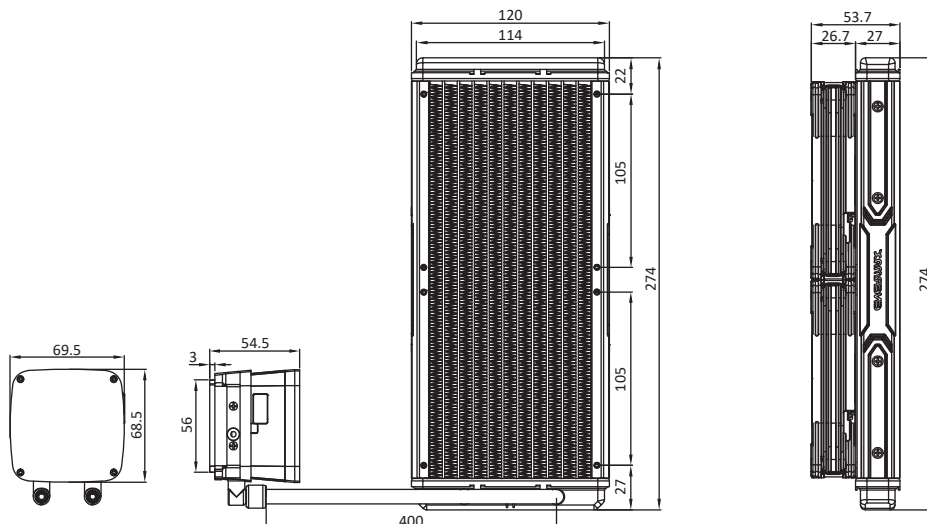
Premium 400mm weaved tubing is perfect for mainstream system builds

The channels on radiator are meticulously designed, combined with thin aluminum fins to deliver high heat exchange capacity.



Dimensions

unit:mm



Model Number		ELC-AQF240-SQA-W
CPU Socket		Intel® LGA 1700/2066/2011-3/2011/1366/1200/1156/1155/1151/1150 AMD® AM4/AM3+/AM3/AM2+/AM2/FM2+/FM2/FM1
Material		Copper Base with Aluminum Radiator
Radiator		274 x 120 x 27 mm
Pump	Bearing	Ceramic Bearing
	MTBF	50,000 hrs
	Rated Voltage	12V
	Rated Current	0.7A
Water Block	Rated Current-RGB LED (A)	0.42A [(3 pin ARGB (5V/D/-/G))]
Fan	Dimension	120 x 120 x 26 mm
	MTTF	≧ 100,000 hr
	Speed	500-2000 rpm
	Rated Voltage	12V
	Rated Current-Fan (A)	0.38A (12V)
	Rated Current-RGB LED (A)	0.68A (5V)
	Air Flow	39~79.8CFM
	Static Pressure	0.67~3.6mm-H ₂ O
	Noise Level	17~32.6dBA
	Connector	4 pin PWM + 3 pin ARGB (5V/D/-/G, W/ extension adapter)
Thermal Grease		Dow Corning® TC-5121C
Shipping information		
Barcode	EAN	4713157724281
	UPC	819315024287
Box Dimension		322 x 205 x 137mm
Gross Weight / unit		1.89 kg
Carton Dimension		435 x 338 x 440mm
Q'ty / carton		6 PCS
Gross Weight / Carton		12.3 kg