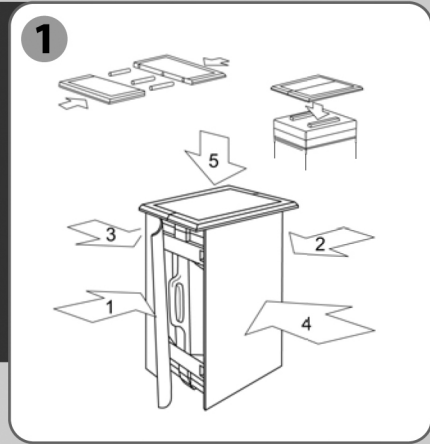


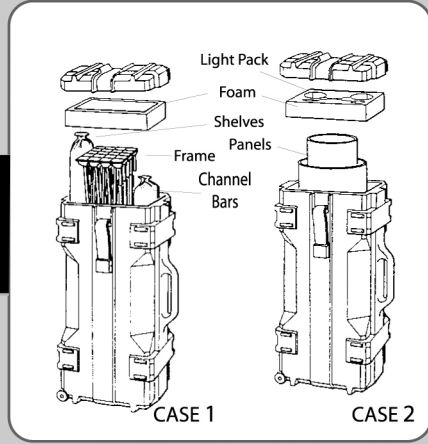
# CASE INSTRUCTIONS

## PACKING CASE OPTIONS



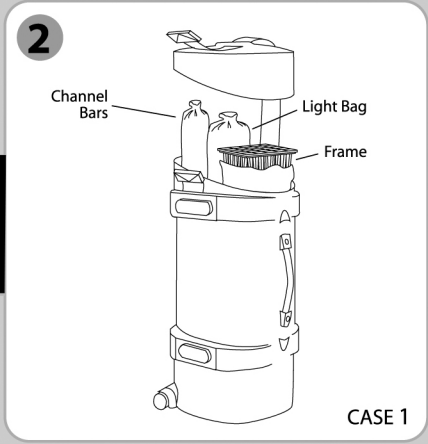
**Case Conversion:** Assemble the top as shown and place on the case. Attach panels in the numbered order shown. Velcro the blotter (#5) to the counter top.

4100

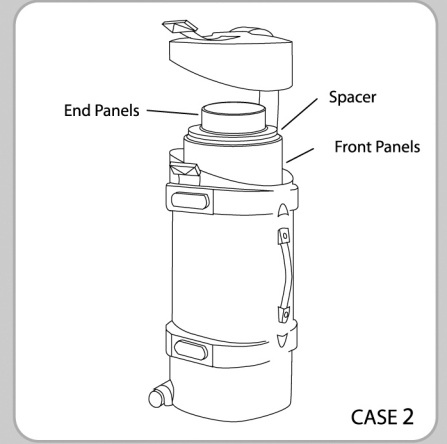


**Case packing:** Collapse frame, pack in box and insert into Case1. Pack lights & channel bars in bags and pack in Case1. Roll up panels fabric to fabric and insert into Case2, Cases can be strapped together to roll as a complete unit.  
**Note:** Graphics Roll Individually with image side out against a plastic liner.

4106

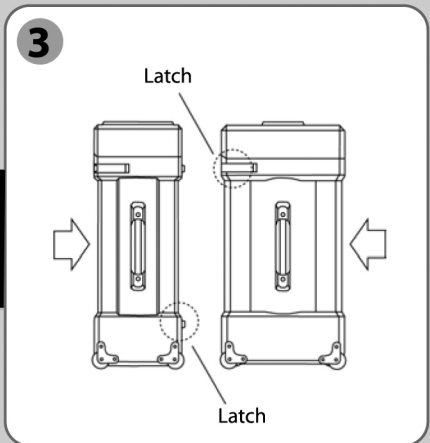


Collapse frame, pack in bag and insert into Case 1. Pack lights in bag and pack in Case 1 next to channel bar bag as shown.

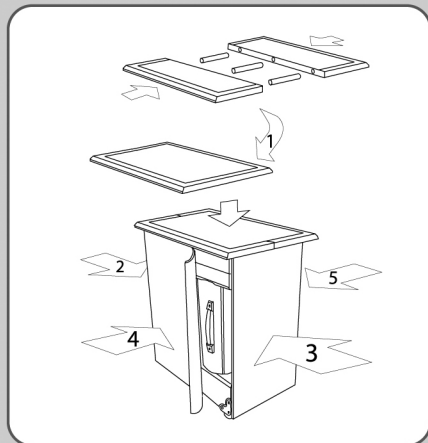


Roll up panels fabric to fabric and insert into Case 2 as shown. Once two cases are loaded they can be strapped together for easy transport.  
**Note:** Graphics Roll Individually with image side out against a plastic liner.

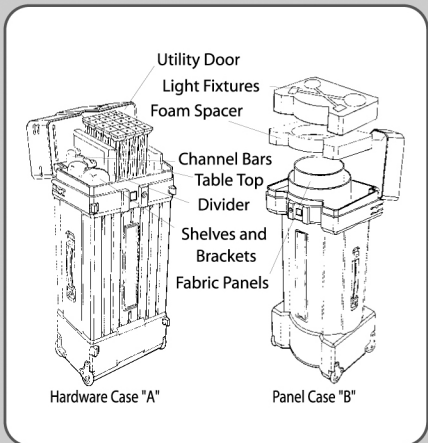
## 4200 AB



**Case Assembly:** Place the frame case and the panel case next to each other with handles on same side. Align the upper two and lower two latches and Latch together.

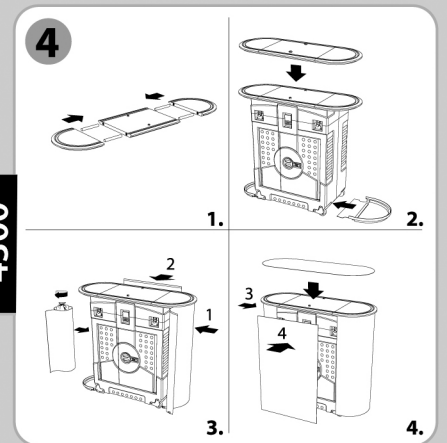


**Case Conversion:** Assemble top as shown and place on cases. Attach panels in numbered order shown. Velcro blotter to table top.

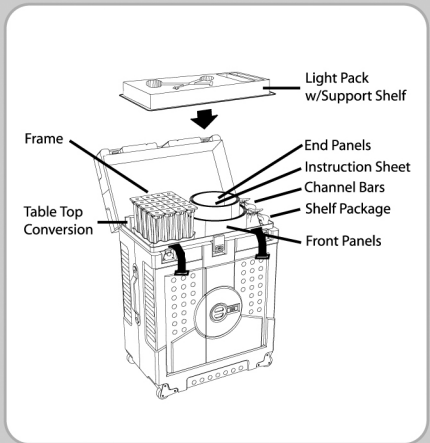


**Case packing:** Collapse frame, pack in box and insert into Case A. Pack shelves & channel bars in bags and pack in Case A. Roll up panels fabric to fabric and insert into Case B. Cases latch together two places to roll as a complete unit.  
**Note:** Graphics Roll Individually with image side out against a plastic liner.

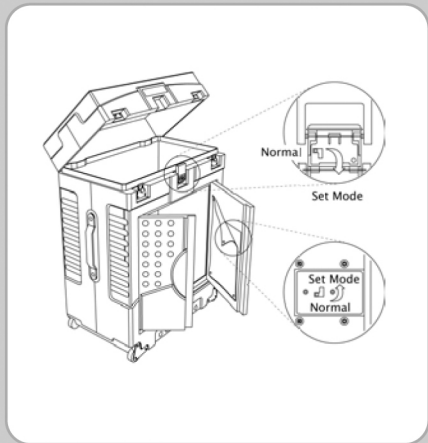
## 4300



**Case Conversion:** Assemble top and secure to case using a coin to tighten the two fasteners. Slip an end tray under both sets of wheels. Store panel liners and bags under table top overhang. Attach panels in numbered order as shown.



**Case Packing:** Roll and load skirts followed by panels and ends. Load your frame next followed by the channel bars, shelves, headers and table top conversion. Connect support straps and lay the light pack on top of straps. Close lid and lock. Refer to inside of case lid for additional instructions.  
**Note:** Graphics Roll Individually with image side out against a plastic liner.

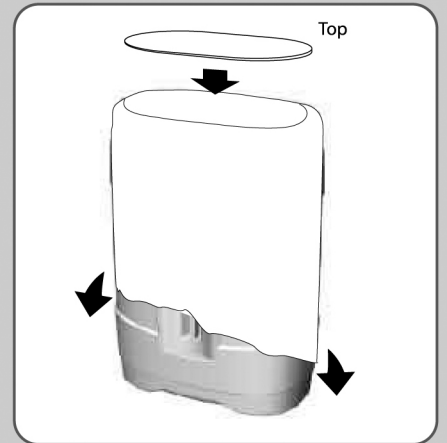


**Changing Combination Locks:**  
**Upper Lock:** Lift latch on expose underside. Move metal tang from Normal to Set position. Lower latch and set desired combination. Lift latch and move tang back to normal position.  
**Lower Lock:** Open case doors and unsnap accessory pouch. Locate metal tang on lock backplate. Move from Normal to Set position. Set desired combination. Move the tang back to normal position.

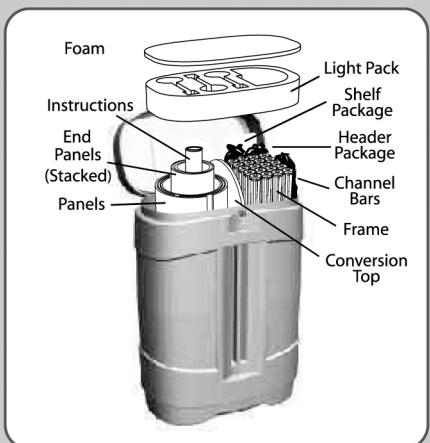
4400



**Case Conversion:** Stretch the Lycra skirt over the empty case as shown with the seam of the skirt at the rear of the case (wheel side).

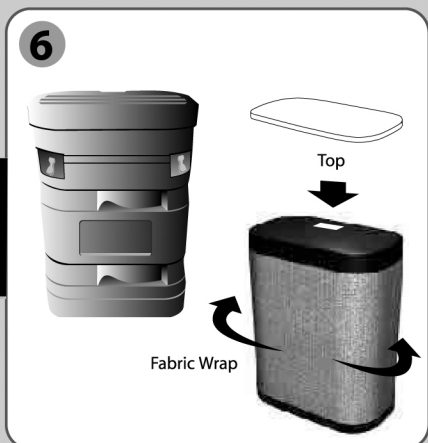


Pull down to conceal the case. Place the counter top onto the top attaching it to the Velcro.

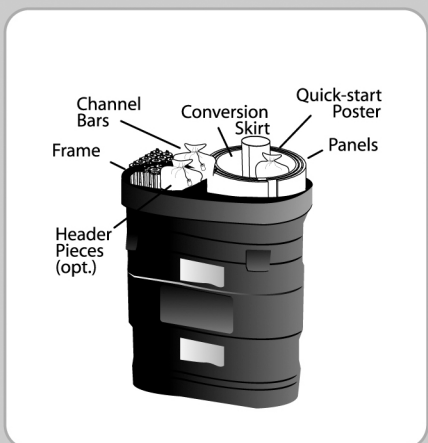


**To Pack:** Slide conversion top section into center sleeve of case to act as a divider. Roll panels in pairs surface to surface and insert into left side of case. (Graphics require protective liners.) Stack end panels separated by a plastic donut. Insert ends into sleeve. All hardware packs on the right.  
**Note:** Graphics Roll Individually with image side out against a plastic liner.

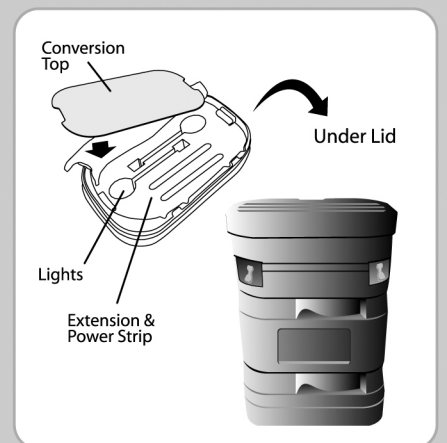
4600



**Case Conversion:** To convert the empty case into a counter, wrap the fabric skirt panel around case as shown and overlap the magnetic strips at the rear wheel side of the case. Place the counter top onto the lid of the case with the laminated side up to complete.



**To pack:** Roll up panels in pairs, surface to surface, and insert into the round side of the case. Place frame & channel bars into bags, insert into other side of case.  
**Note:** Graphics Roll Individually with image side out against a plastic liner.



Pull back the foam cover inside the main lid to insert the lights, extension cord and power strip. Replace foam and insert the conversion top, or plastic shipping protector. Attach velcro straps to hold in place. Flip over Lid and close all 4 latches.