

DISCOVER POLARIS
WITH ITS **NEW ARM**



WHY POLARIS ?



LED TECHNOLOGY

SCIALYTIC EFFECT



LIGHT INTENSITY

ADJUSTMENT UP TO

50.000 LUX

COLOUR TEMPERATURE

ADJUSTMENT

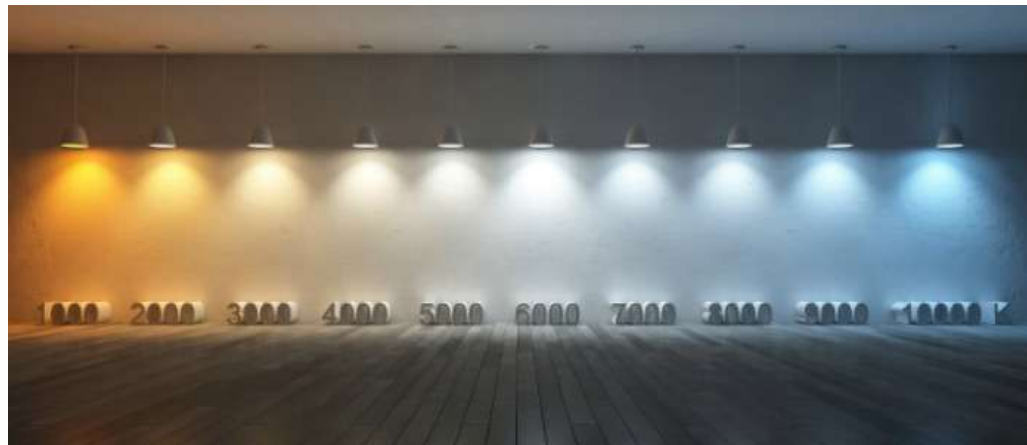


100% ALUMINIUM

COLOUR TEMPERATURE ADJUSTMENT

CHOOSE

THE RIGHT COLOUR TEMPERATURE FOR EVERY TREATMENT.



- COLD LIGHT (OPTIMISES THE COLOUR CONTRAST ON SOFT TISSUES) --> SURGERY
- 5.500 K (SUN LIGHT) --> COLOUR MATCHING

LIGHT INTENSITY ADJUSTMENT



HOW MUCH LIGHT ?

35.000 LUX

**BEST DETAIL PERCEPTION
PREVENTING EYESTRAIN**

50.000 LUX

**FOR SPECIFIC NEEDS DURING
SHORT PERIODS OF TIME**

SCIALYTIC EFFECT



**OVERLAPPING LIGHT RAYS
AVOID SHADOWS PROJECTION
ON THE OPERATING FIELD**

RISK FROM WRONG LIGHTING

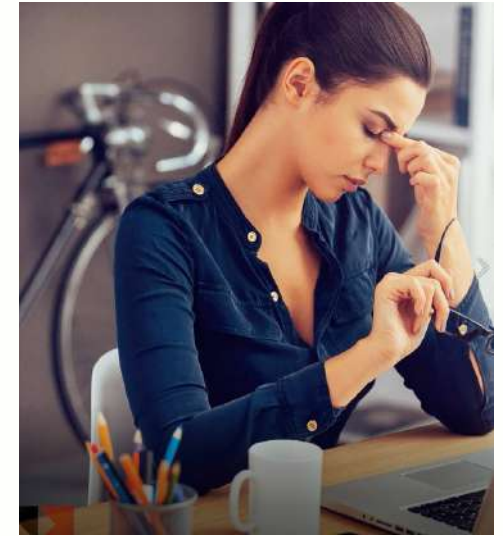
INADEQUATE COLOUR TEMPERATURE

- POSSIBLE MISTAKES IN
- COLOUR MATCHING
- PROCEDURES
- MAKES IT DIFFICULT TO
- DISTINGUISH SHADES OF
- RED OF SOFT TISSUES



LACK OF SCIALYTIC EFFECT

- BLURRED PERCEPTION
- OF THE OPERATING FIELD
- INNATURAL POSTURE
- WITH POSSIBLE
- CERVICAL AND LUMBAR
- DISEASES



WRONG LIGHT INTENSITY

- BLURRED SIGHT: DETAILS
- ARE NOT CLEAR

ACCESSORIES



- WHITENING LIGHT
"CORE WHITE"

OPTIONAL



- MIRROR AND
ANTIPOLYMERITAZION KIT

ANTIPOLYMERIZATION FILTER; REDUCTION OF COMPOUND CURING SPEED. EASY TO INSTALL AND CLEAN.

MIRROR: ENHANCED COMMUNICATION WITH THE PATIENT

OPTIONAL

EASY HYGIENE



*** EASY CLEANABLE FRONT COVER**

*** PARABOLES ARE PROTECTED AND
NEED NO CLEANING**

*** REMOVABLE HANDLE COVERS**
**- AUTOCLAVABLE 15 MINUTES AT
135° (ISO 11134)-**
**- 2 PAIRS PROVIDED WITH EVERY
LIGHT**



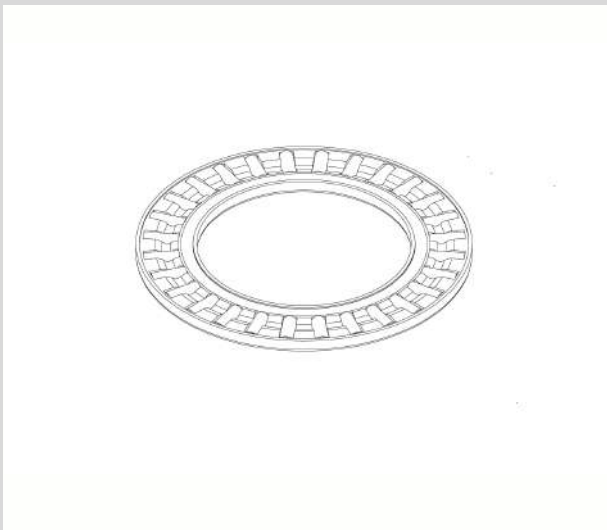
NEW ARM

- MODERN DESIGN
- ENHANCED MOTION
- 100% ALUMINIUM

FLOW MOTION MOVEMENT



OPTIMIZED MOVEMENT
THROUGH **RE-ENGINEERED**
MECHANICAL **SYSTEM**



ENHANCED ROTATION
SYSTEM BETWEEN MIDDLE
JOINT AND MOBILE ARM,
THANKS TO ROLLER
BEARINGS.

EASY TO INSTALL & ADJUST

- NEW **ASSEMBLY PROCEDURE**: FIRST FIX THE ARM TO THE HEAD, THEN CONNECT THE WIRES
- EASY **ARM SPRING ADJUSTMENT**
- **CENTRAL JOINT FRICTION** ADJUSTMENT
- 2 MOV FRICTION ADJUSTMENT
- 3 MOV FRICTION ADJUSTMENT
- **SMOOTH SWITCH** FROM ROOF MOUNT TO UNIT MOUNT
- **DIFFERENT SOLUTIONS**: UNIT MOUNT, CEILING MOUNT, WALL MOUNT, TROLLEY MOUNT, ON SURGICAL CART.
- **SUITABLE TO DIFFERENT UNITS**, THANKS TO A WIDE RANGE OF PIVOTS.



VERSATILITY

- MECHANICAL
- FEATURES



PIVOT OF DIFFERENT
MEASURE AND
CUSTOMIZED
ADAPTORS

- ELECTRICAL
- FEATURES



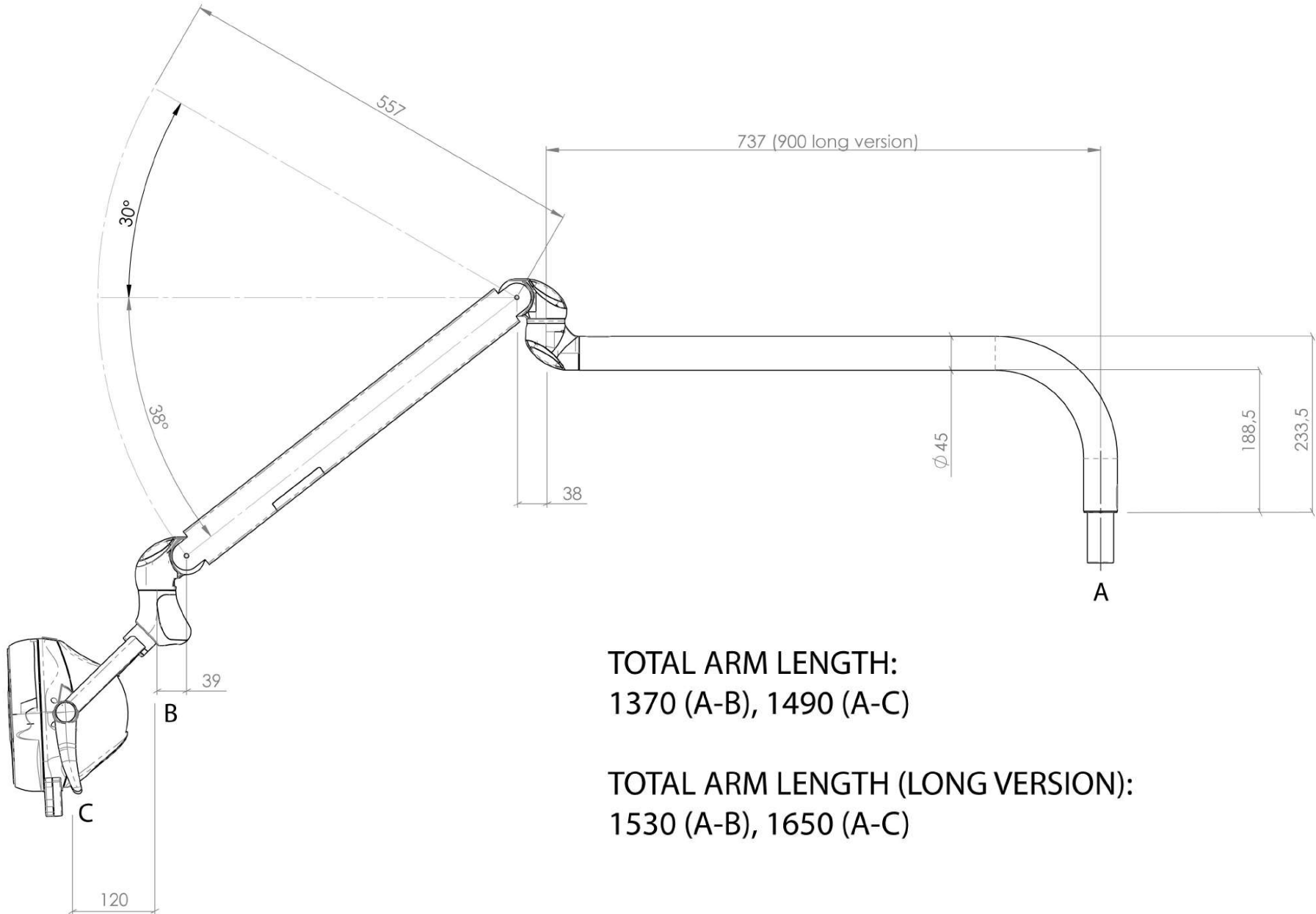
VARIABLE TENSION
FROM 12 TO 24 V

- COLOUR
- FEATURES



LIGHT CAN BE
PAINTED IN EVERY
REQUESTED RAL
COLOUR

ARM MEASURES

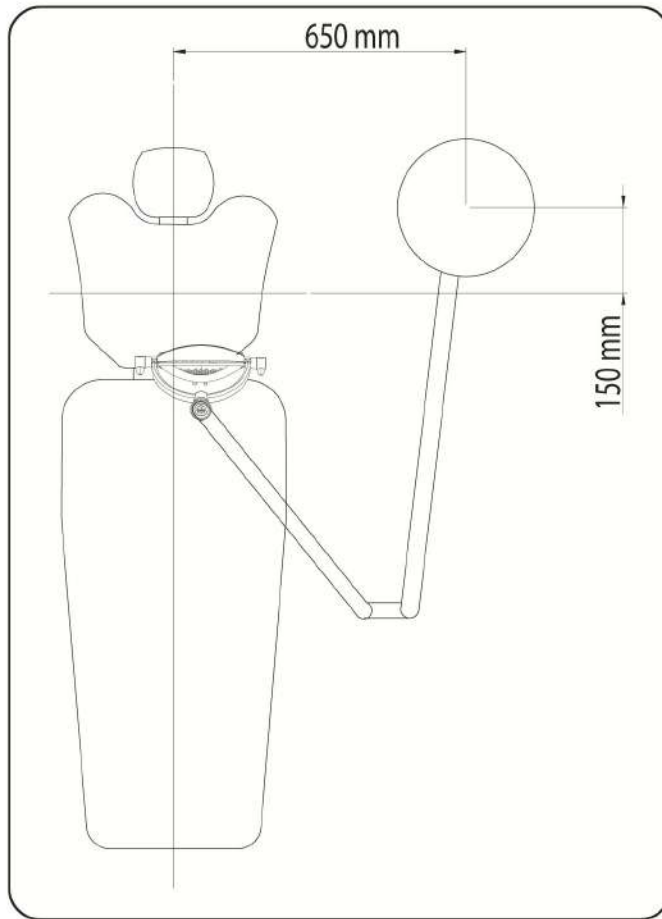


TOTAL ARM LENGTH:
1370 (A-B), 1490 (A-C)

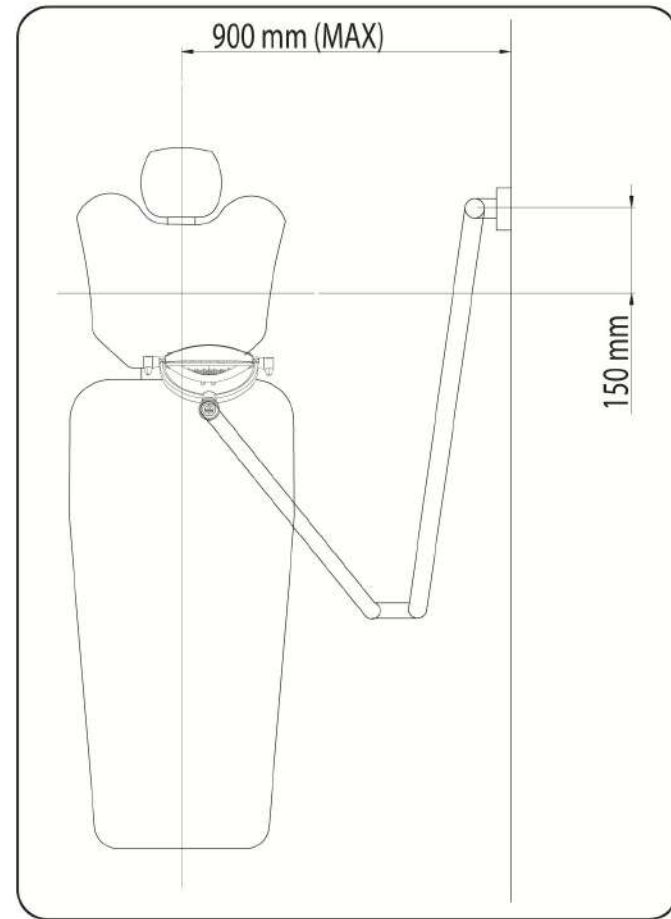
TOTAL ARM LENGTH (LONG VERSION):
1530 (A-B), 1650 (A-C)

RECOMMENDED DISTANCES

RECOMMENDED DISTANCES
CEILING MOUNT



RECOMMENDED DISTANCES
WALL MOUNT



TECHNICAL FEATURES

POLARIS

- HEAD NET WEIGHT: 1.900 KG
- ARM NET WEIGHT : 5.150 KG
- LIGHT PIVOT: ϕ 35 MM (OTHER ϕ ON REQUEST)
- SUPPLY VOLTAGE: 12 - 24 VAC 50-60 HZ
- MAXIMUM POWER ABSORBED: 24 VA
- MAX. ABSORBED CURRENT: 1.5 A
- ILLUMINATED SPOT DIMENSION: 80 X 200 MM
- LIGHT INTENSITY
- (ADJUSTABLE): FROM 8.000 TO 50.000 LUX
- COLOUR TEMPERATURE (ADJUSTABLE): FROM 4200 K
- TO 6000 K
- OPERATING LENGTH: 70 CM
- LIGHT SOURCE: 10 LEDS
- GUARANTEE: 24 MONTHS

CORE WHITE WHITENING LIGHT

- WEIGHT: 800 G
- POWER SUPPLY: 17-24 VAC
- MAXIMUM POWER CONSUMPTION: 30 VA
- CURRENT CONSUMPTION: 1.5 A
- LIGHT PATTERN: 80X20 MM
- LIGHT SOURCE: 4 LED (3.5 W CAD.)
- EMISSION SPECTRUM: 420-480 NM
- MAXIMUM LIGHT POWER EMITTED:
- 2000MW
- MAXIMUM DISTANCE FROM PATIENT: 10 CM

STANDARD

CERTIFICATES

INTERNATIONAL
STANDARD

ISO
9680

Third edition
2014-10-15

Dentistry — Operating lights

Médecine bucco-dentaire — Appareils d'éclairage

LIGHTS THAT
GUARANTEE OPTIMUM VISUAL
COMFORT, COLOUR PERCEPTION,
AND PREVENT EYE-STRAIN.

www.gcomm-online.com



ISO 13485: 2016
CERTIFICATE

DECLARATION
OF CONFORMITY

LAMPADA DENTALE LED POLARIS ITALIANO

DICHIARAZIONE DI CONFORMITA'

Il fabbricante G.COMM,
Via Donizetti, 22
20872 Cornate D'Adda (MB)
Italia

DICHIARA

sotto propria ed esclusiva responsabilità che la lampada dentale

Modello: POLARIS

è conforme ai requisiti del D.Lgs. 46 del 24/02/97, in attuazione della Direttiva europea 93/42/CEE, emanata col D.Lgs. 37 del 25/01/2000 - recepimento Direttiva 2007/47/CE per i dispositivi medici di Classe I.

Questo prodotto è fabbricato in conformità alle norme:

- EN 60601-1:1990 "Apparecchi elettromeccanici - Parte 1: Norme generali per la sicurezza" - A1:1993 - A2:1999
- EN 60601-1-2:2001 "Apparecchi elettromeccanici - Parte 1: Norme generali per la sicurezza - 2. Norma collaterale. Compatibilità elettromagnetica - prescrizione e prove" - A1:2006
- EN ISO 14971:2007 "Applicazione della gestione dei rischi ai dispositivi medici"
- UNI EN ISO 9680:1996 "Lampada dentale"

La G.COMM rende noto che la presente dichiarazione di conformità decade nel caso in cui:

1. la manutenzione/controlli non vengano effettuati secondo le modalità previste dalla G.COMM nel Manuale del Prodotto e da personale da G.COMM autorizzato;
2. uno o più componenti del prodotto vengano sostituiti con componenti non espressamente autorizzati dalla G.COMM;
3. il prodotto sia oggetto di manomissioni non espressamente autorizzate dalla G.COMM incluso collegamento ad altro prodotto non autorizzato da G.COMM.

La responsabilità per danno di prodotti difettosi (DPR 27/4/1985 e Dir. 85/374/CEE) si estingue dopo 10 anni dalla data in cui il fabbricante ha messo in circolazione il prodotto e ricade sull'utilizzatore.

Giuseppina Nicola
Amministratore Unico

G. Nicola