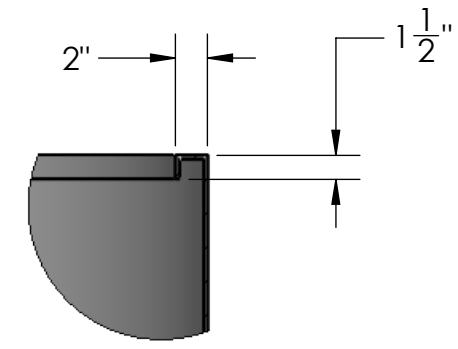
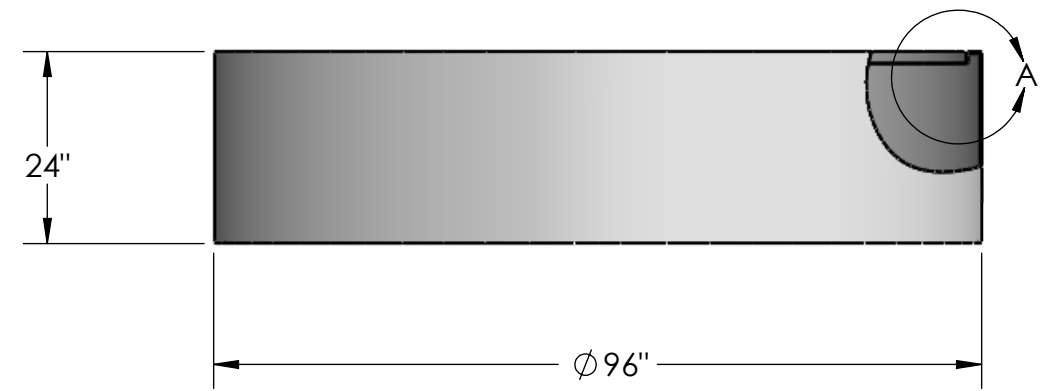
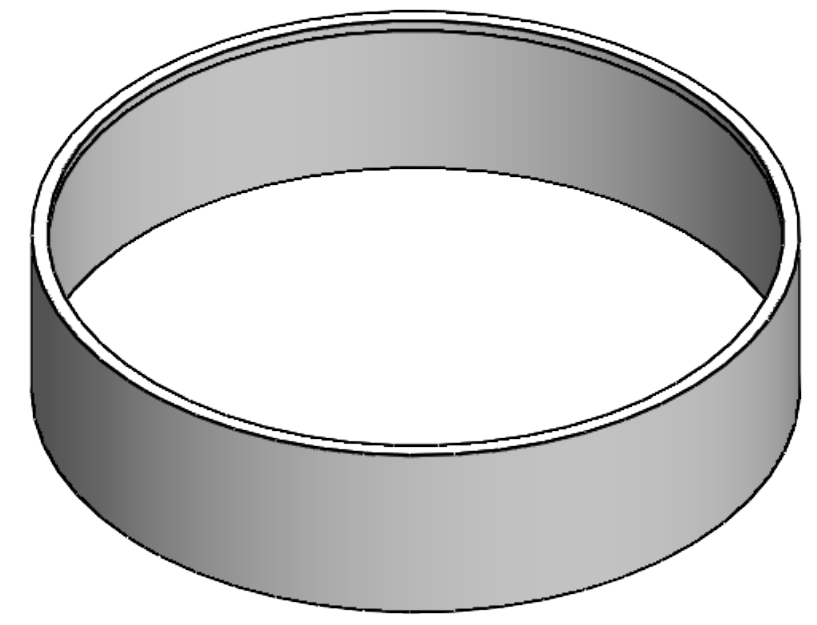
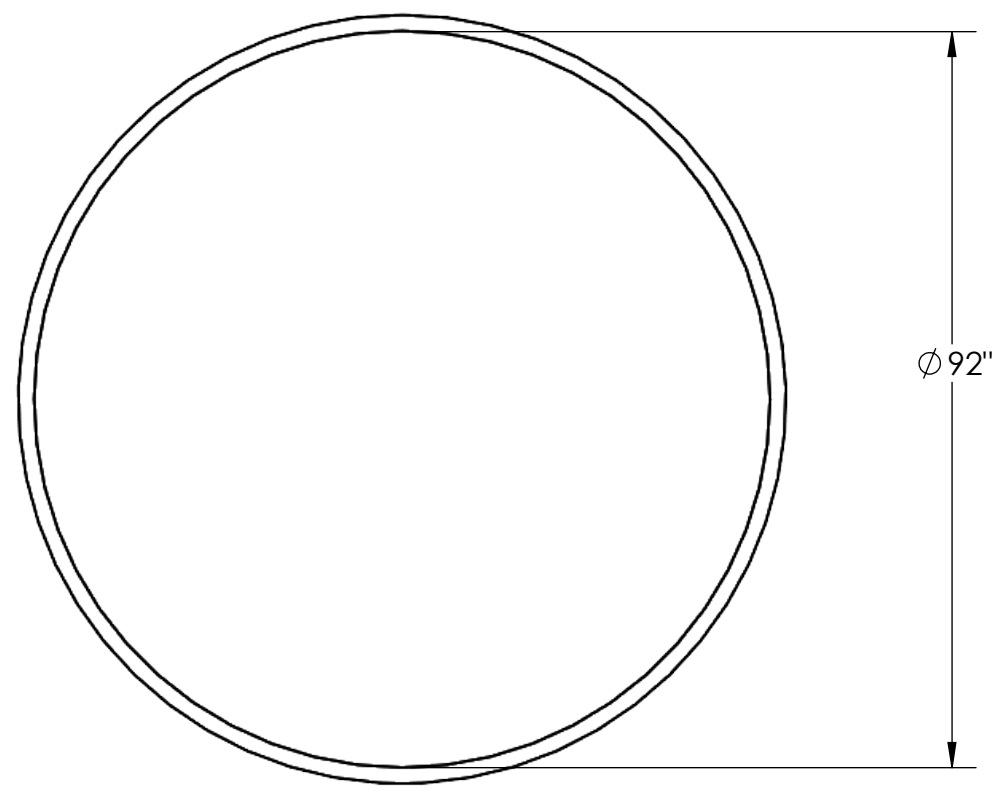


8 7 6 5 4 3 2 1

D  
C  
B  
A



DETAIL A  
SCALE 1 : 12

- NOTES:**
- 1. MATERIAL: HDPE**
  - 2. MOLDED WT. 190 LBS.**
  - 3. RATED: 2 S.G.**

**PROPRIETARY AND CONFIDENTIAL**  
THE INFORMATION CONTAINED IN THIS DRAWING IS THE SOLE PROPERTY OF <INSERT COMPANY NAME HERE>. ANY REPRODUCTION IN PART OR AS A WHOLE WITHOUT THE WRITTEN PERMISSION OF <INSERT COMPANY NAME HERE> IS PROHIBITED.

		UNLESS OTHERWISE SPECIFIED:		NAME	DATE		
		DIMENSIONS ARE IN INCHES		DRAWN	EBW		7/22/20
		TOLERANCES:		CHECKED			
		FRACTIONAL ±		ENG APPR.			
		ANGULAR: MACH ± BEND ±		MFG APPR.			
		TWO PLACE DECIMAL ±		Q.A.			
		THREE PLACE DECIMAL ±		COMMENTS:			
		INTERPRET GEOMETRIC TOLERANCING PER:		TITLE: <b>700 GALLON X 96" OTT</b>			
		MATERIAL		SIZE DWG. NO. REV			
NEXT ASSY	USED ON	FINISH		<b>B 700 X 96 OTT</b>			
APPLICATION		DO NOT SCALE DRAWING		SCALE: 1:24 WEIGHT: SHEET 1 OF 1			

8 7 6 5 4 3 2 1