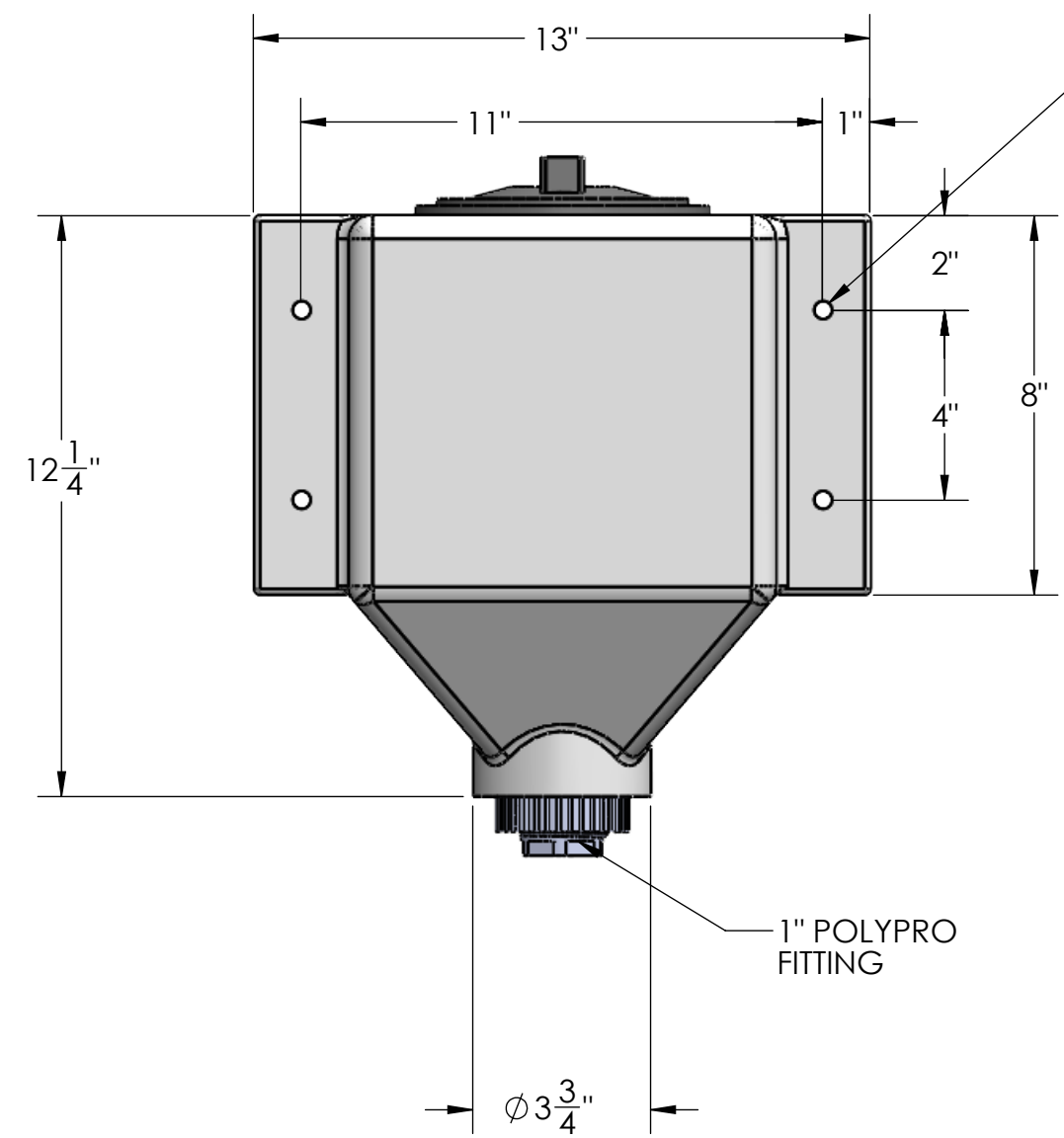
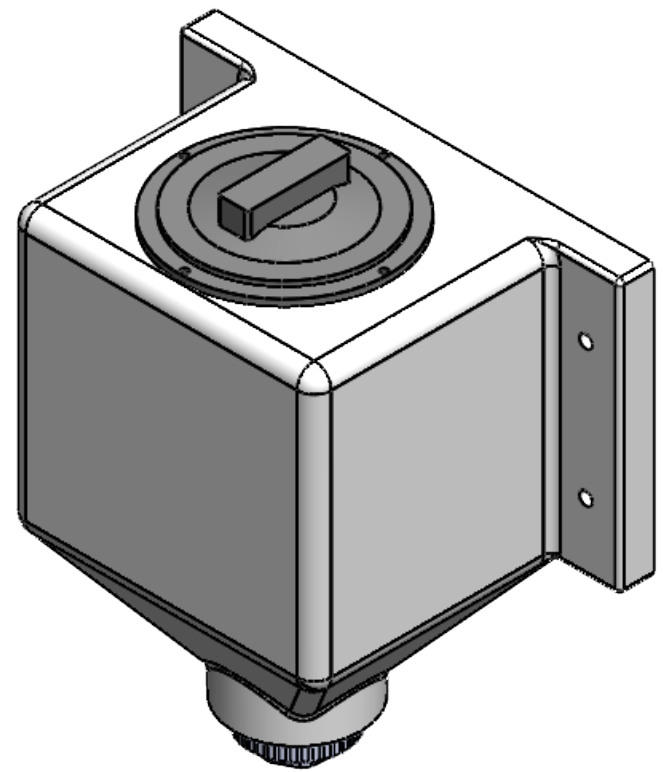
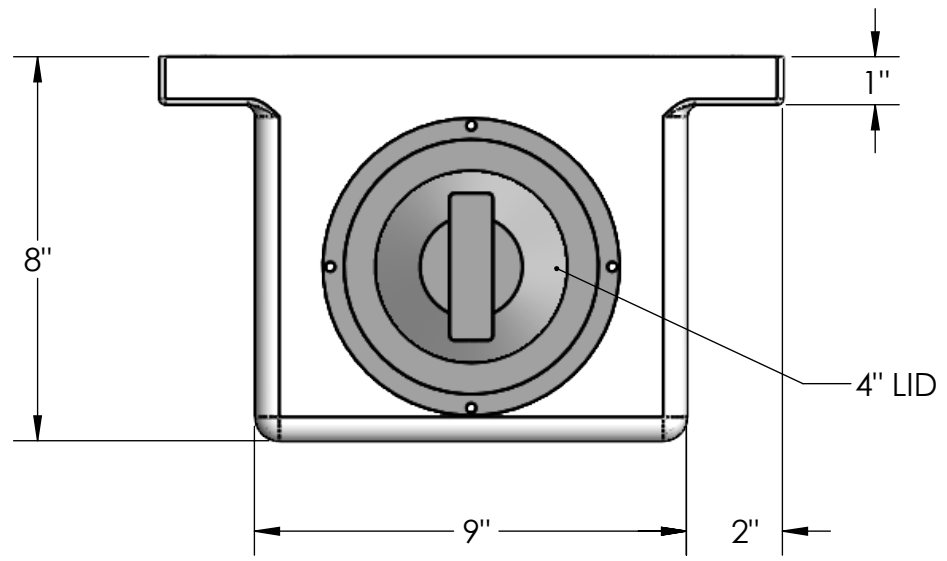
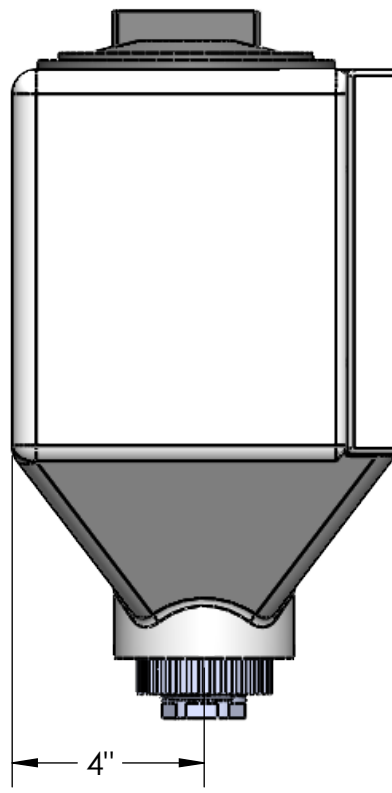


8 7 6 5 4 3 2 1



3/8" MOUNTING HOLES



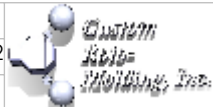
1" POLYPRO FITTING

NOTES:

- 1. MATERIAL: NAT. POLYETHYLENE
- 2. AVG. WALL THICKNESS: .15
- 3. MOLDED WT. 2.5 LBS.

**PROPRIETARY AND CONFIDENTIAL**  
 THE INFORMATION CONTAINED IN THIS DRAWING IS THE SOLE PROPERTY OF <INSERT COMPANY NAME HERE>. ANY REPRODUCTION IN PART OR AS A WHOLE WITHOUT THE WRITTEN PERMISSION OF <INSERT COMPANY NAME HERE> IS PROHIBITED.

		UNLESS OTHERWISE SPECIFIED:		NAME	DATE
		DIMENSIONS ARE IN INCHES		DRAWN	EBW
		TOLERANCES:		CHECKED	
		FRACTIONAL ±		ENG APPR.	
		ANGULAR: MACH ± BEND ±		MFG APPR.	
		TWO PLACE DECIMAL ±		Q.A.	
		THREE PLACE DECIMAL ±		COMMENTS:	
		INTERPRET GEOMETRIC TOLERANCING PER:		TITLE:	
		MATERIAL		2.5 GALLON RECTANGULAR CONE TANK	
NEXT ASSY	USED ON	FINISH		SIZE	DWG. NO.
APPLICATION		DO NOT SCALE DRAWING		<b>B</b>	<b>2.5 RCT</b>
				SCALE: 1:4	WEIGHT:
				SHEET 1 OF 1	



8 7 6 5 4 3 2 1