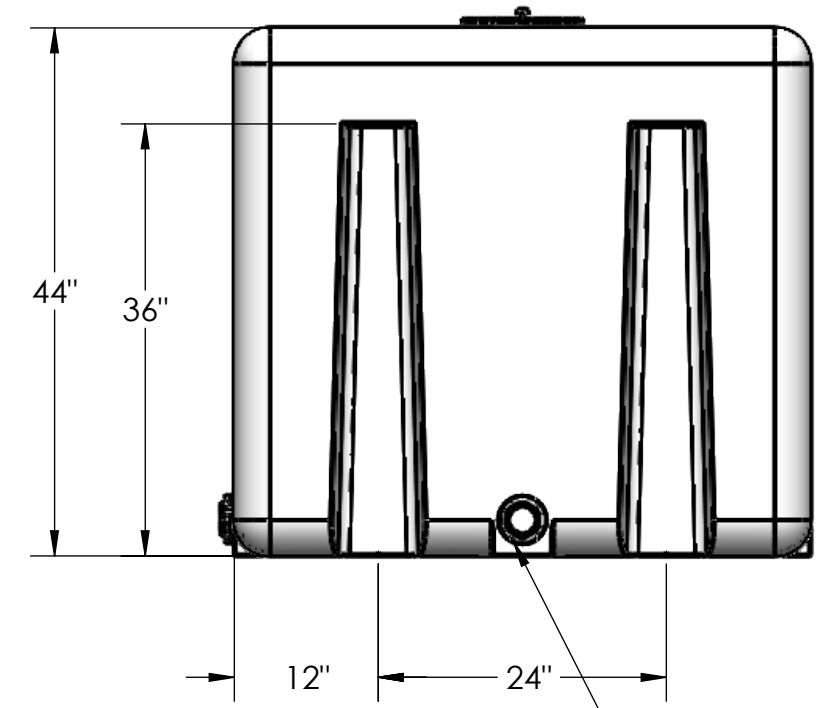
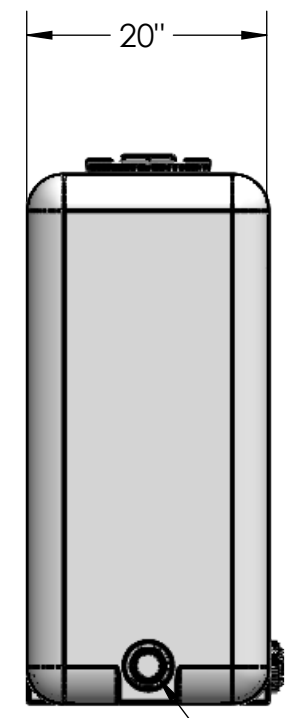
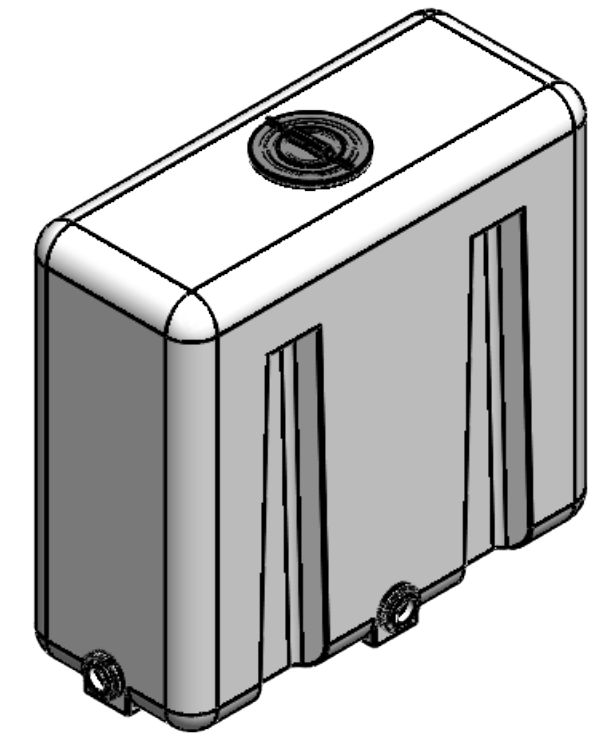
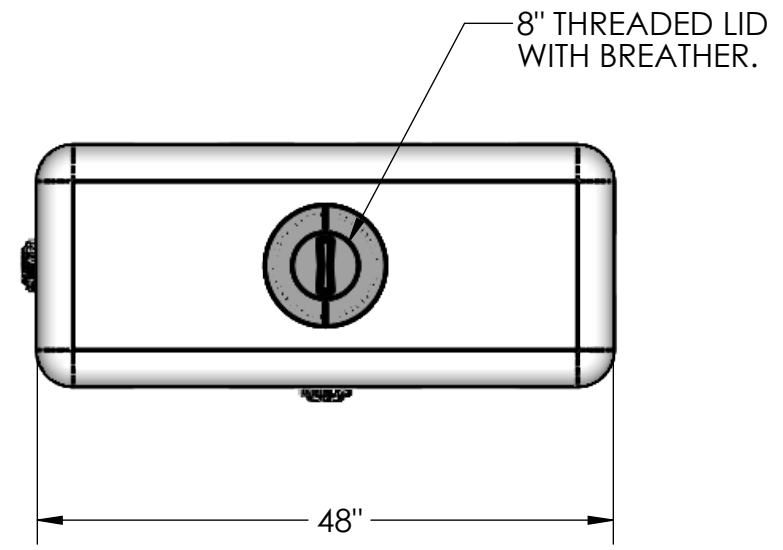


D  
C  
B  
A

D  
C  
B  
A



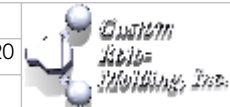
NOTES:

1. MATERIAL: HDPE
2. AVG. WALL THICKNESS: 38
3. MOLDED WT. 110 LBS.
4. SPECIFY LONG OR SHORT SIDE FOR FITTING PLACEMENT.

2" POLYPRO INSTALLED ON SHORT SIDE

2" POLYPRO INSTALLED ON LONG SIDE

**PROPRIETARY AND CONFIDENTIAL**  
 THE INFORMATION CONTAINED IN THIS DRAWING IS THE SOLE PROPERTY OF <INSERT COMPANY NAME HERE>. ANY REPRODUCTION IN PART OR AS A WHOLE WITHOUT THE WRITTEN PERMISSION OF <INSERT COMPANY NAME HERE> IS PROHIBITED.

		UNLESS OTHERWISE SPECIFIED:		NAME	DATE	 <p>TITLE:  <b>150 GALLON RECTANGULAR TALL TANK</b></p>	
		DIMENSIONS ARE IN INCHES		DRAWN	EBW		3/18/20
		TOLERANCES:		CHECKED			
		FRACTIONAL ±		ENG APPR.			
		ANGULAR: MACH ± BEND ±		MFG APPR.			
		TWO PLACE DECIMAL ±		Q.A.			
		THREE PLACE DECIMAL ±		COMMENTS:			
		INTERPRET GEOMETRIC TOLERANCING PER:					
		MATERIAL					
		FINISH					
NEXT ASSY	USED ON					SIZE DWG. NO. REV <b>B</b> 150 RTT	
APPLICATION		DO NOT SCALE DRAWING				SCALE: 1:16 WEIGHT: SHEET 1 OF 1	