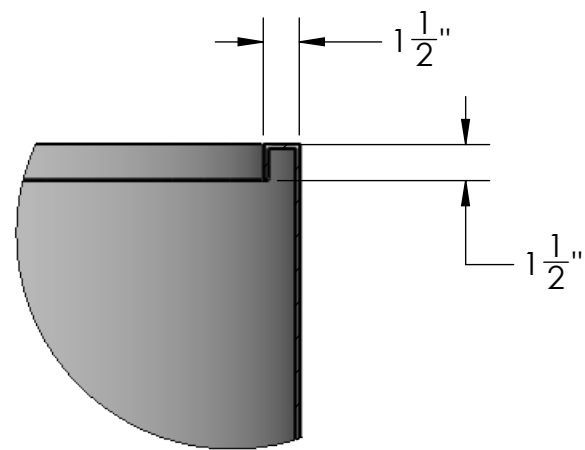
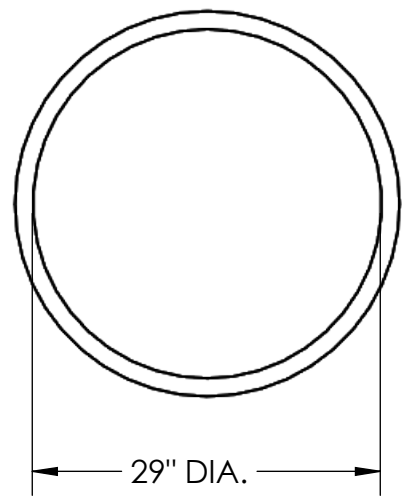
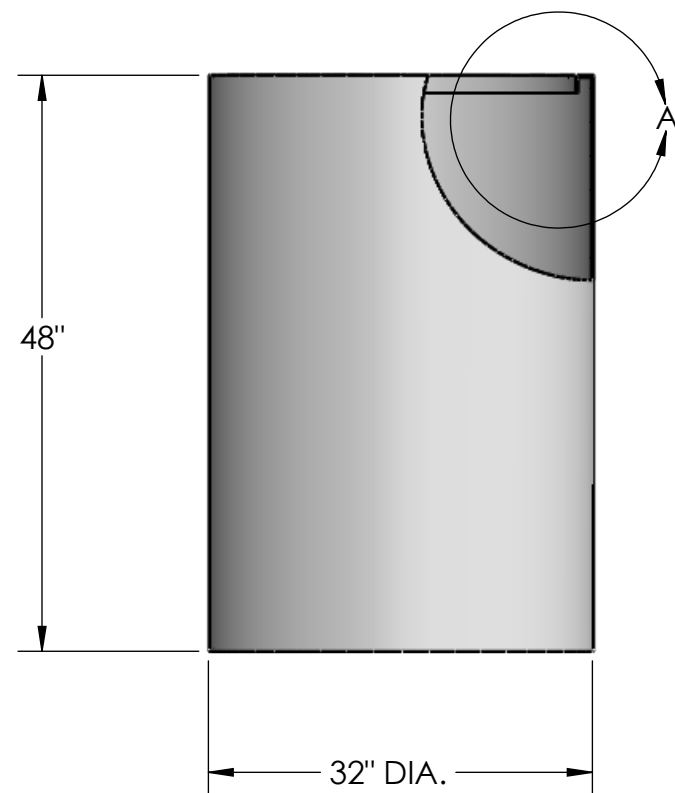
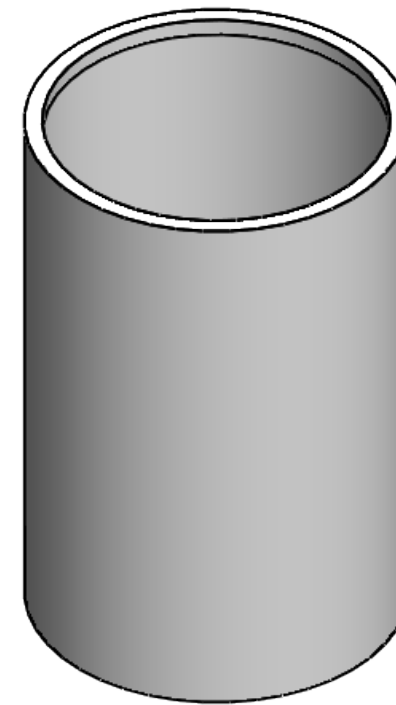


D
C
B
A

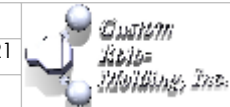


DETAIL A
SCALE 1 : 8



- NOTES:
 1. MATERIAL: HDPE
 2. MOLDED WT. 40 LBS.

PROPRIETARY AND CONFIDENTIAL
 THE INFORMATION CONTAINED IN THIS DRAWING IS THE SOLE PROPERTY OF <INSERT COMPANY NAME HERE>. ANY REPRODUCTION IN PART OR AS A WHOLE WITHOUT THE WRITTEN PERMISSION OF <INSERT COMPANY NAME HERE> IS PROHIBITED.

		UNLESS OTHERWISE SPECIFIED:	NAME	DATE		
		DIMENSIONS ARE IN INCHES	DRAWN	EBW		1/28/21
		TOLERANCES:	CHECKED			
		FRACTIONAL	ENG APPR.			
		ANGULAR: MACH BEND	MFG APPR.			
		TWO PLACE DECIMAL	Q.A.			
		THREE PLACE DECIMAL	COMMENTS:			
		INTERPRET GEOMETRIC TOLERANCING PER:				
		MATERIAL				
		FINISH				
NEXT ASSY	USED ON	APPLICATION	TITLE: 150 GALLON OPEN TOP TANK SIZE DWG. NO. REV B 150 OTT			
		DO NOT SCALE DRAWING	SCALE: 1:16 WEIGHT:		SHEET 1 OF 1	