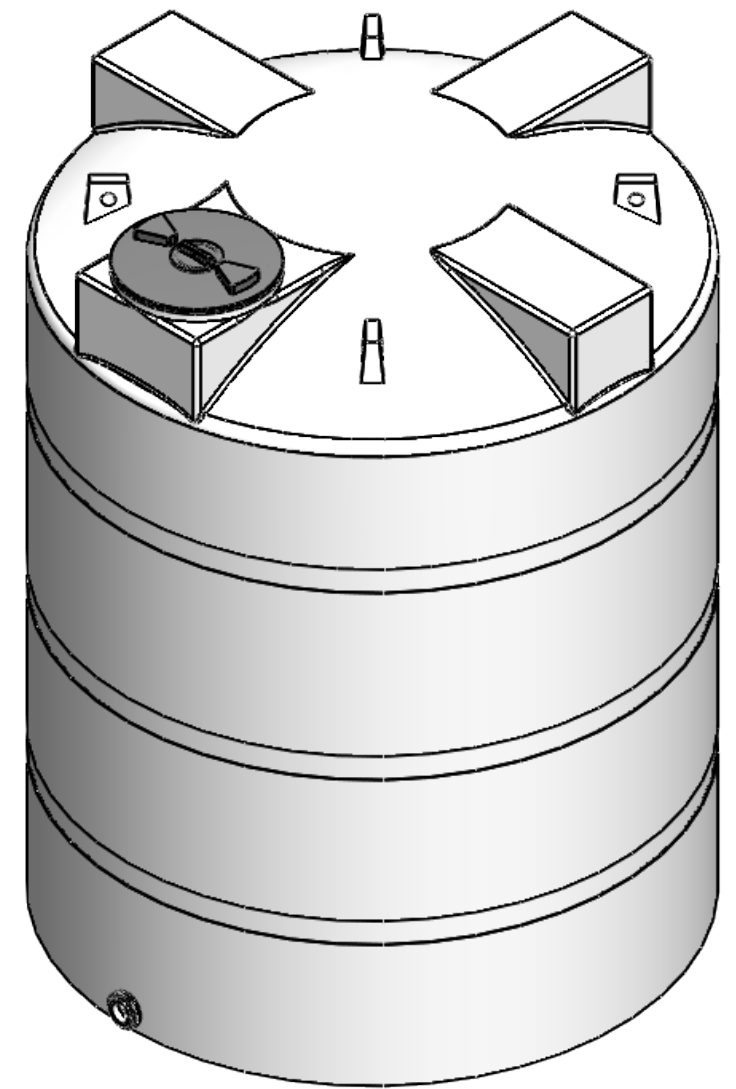
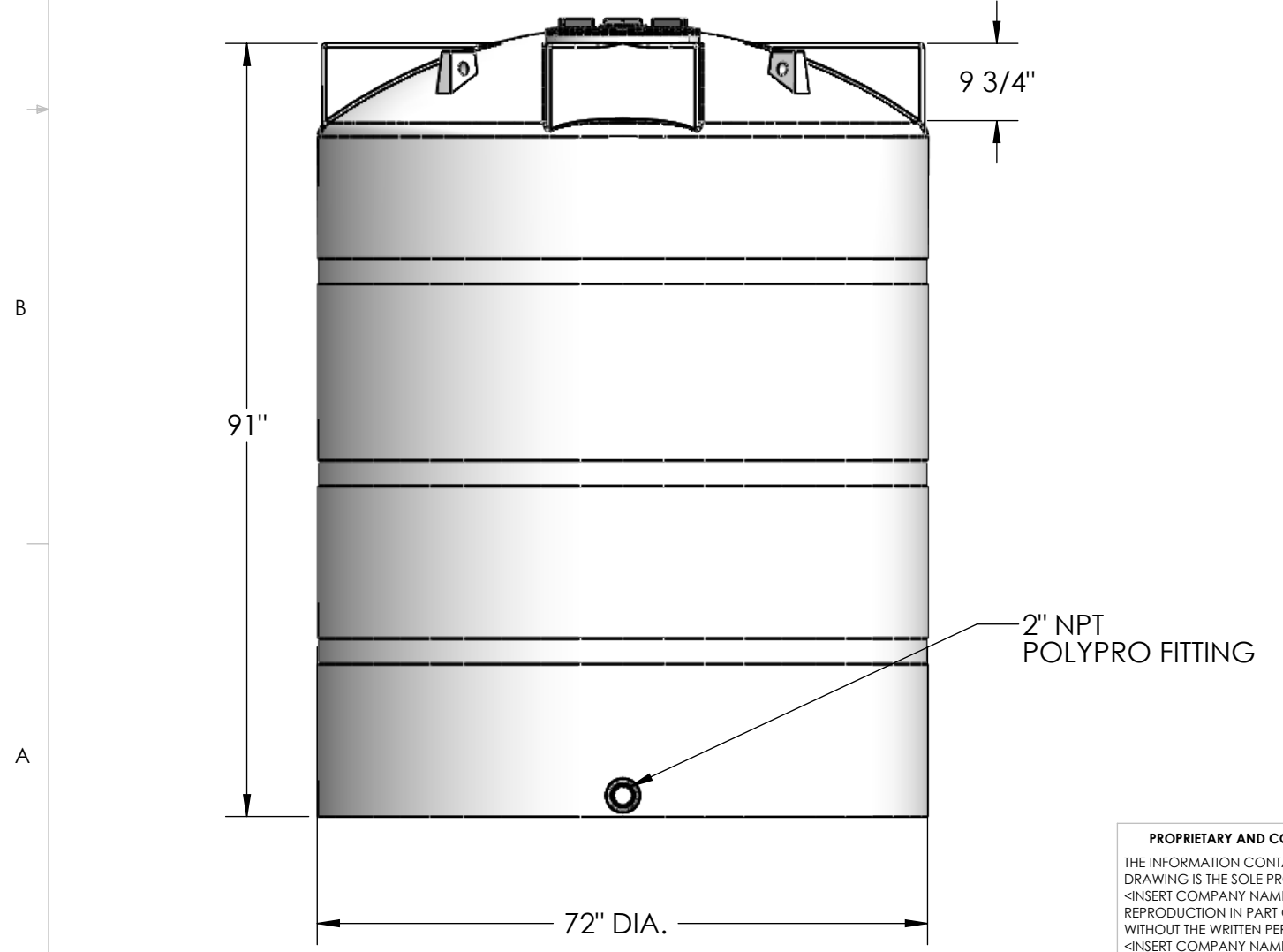
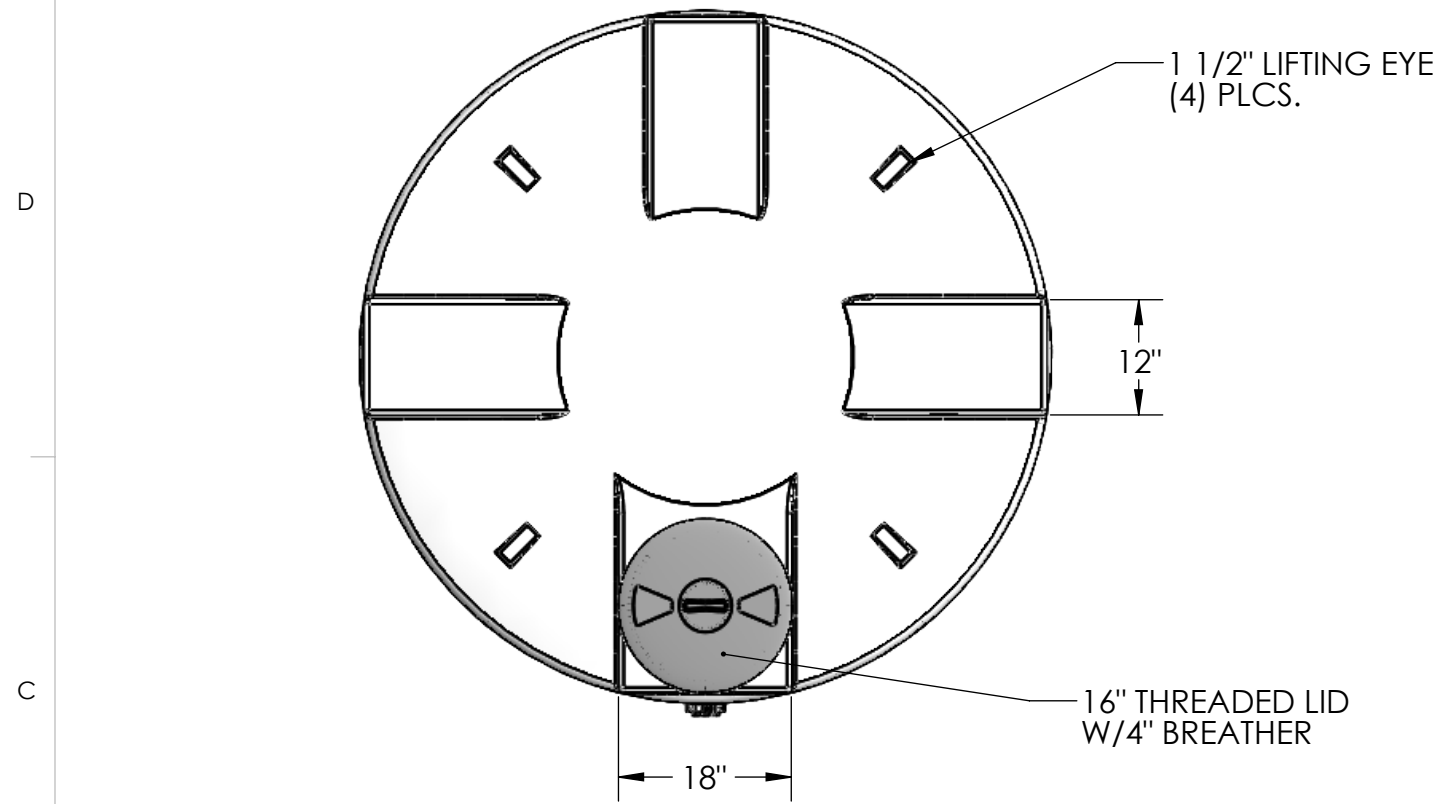


8 7 6 5 4 3 2 1



NOTES:

1. MATERIAL: HDPE
2. WEIGHT: 290 LBS STD. RATED 1.5 S.G.  
383 LBS HD. RATED 2.0 S.G.

**PROPRIETARY AND CONFIDENTIAL**  
 THE INFORMATION CONTAINED IN THIS DRAWING IS THE SOLE PROPERTY OF <INSERT COMPANY NAME HERE>. ANY REPRODUCTION IN PART OR AS A WHOLE WITHOUT THE WRITTEN PERMISSION OF <INSERT COMPANY NAME HERE> IS PROHIBITED.

		UNLESS OTHERWISE SPECIFIED:		NAME	DATE	CUSTOM ROTO-MOLDING, INC.
		DIMENSIONS ARE IN INCHES TOLERANCES: FRACTIONAL ± ANGULAR: MACH ± BEND ± TWO PLACE DECIMAL ± THREE PLACE DECIMAL ±		DRAWN	8-24-09	
		INTERPRET GEOMETRIC TOLERANCING PER:		CHECKED		TITLE: <b>1500 GALLON VERTICAL TANK</b>
		MATERIAL		ENG APPR.		SIZE DWG. NO. REV
NEXT ASSY	USED ON	FINISH		MFG APPR.		<b>B</b> 1500 VT
APPLICATION		DO NOT SCALE DRAWING		Q.A.		SCALE: 1:50 WEIGHT: SHEET 1 OF 1
				COMMENTS:		

8 7 6 5 4 3 2 1