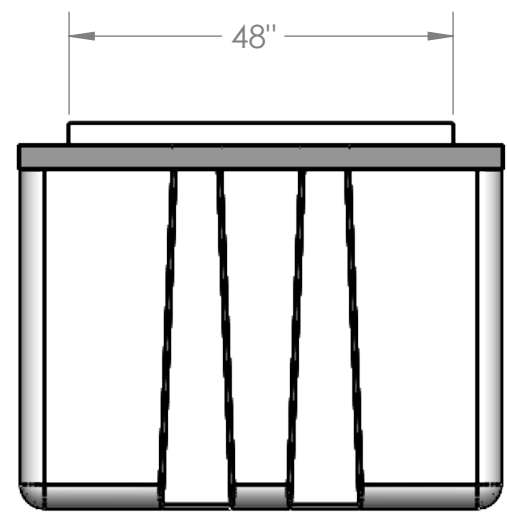
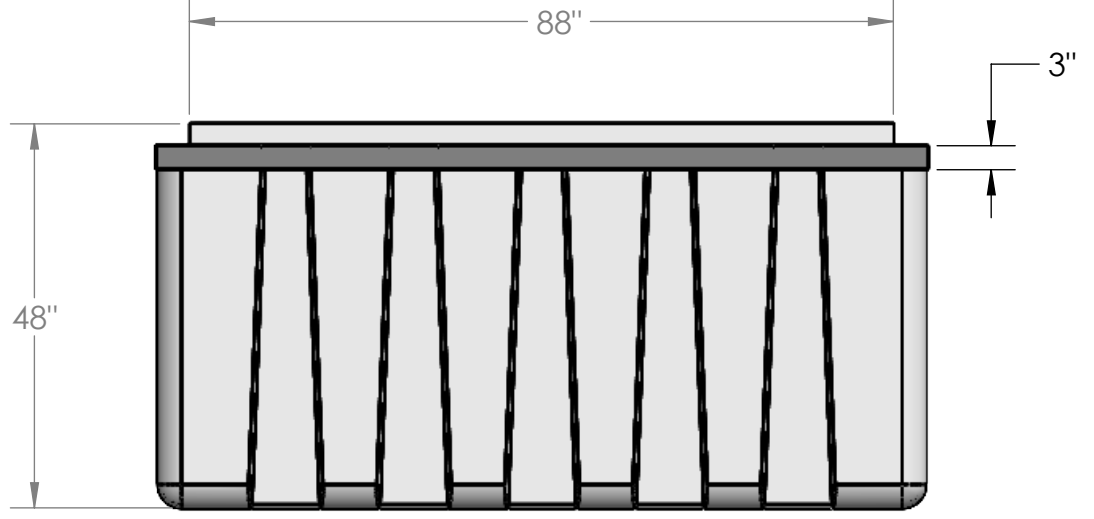
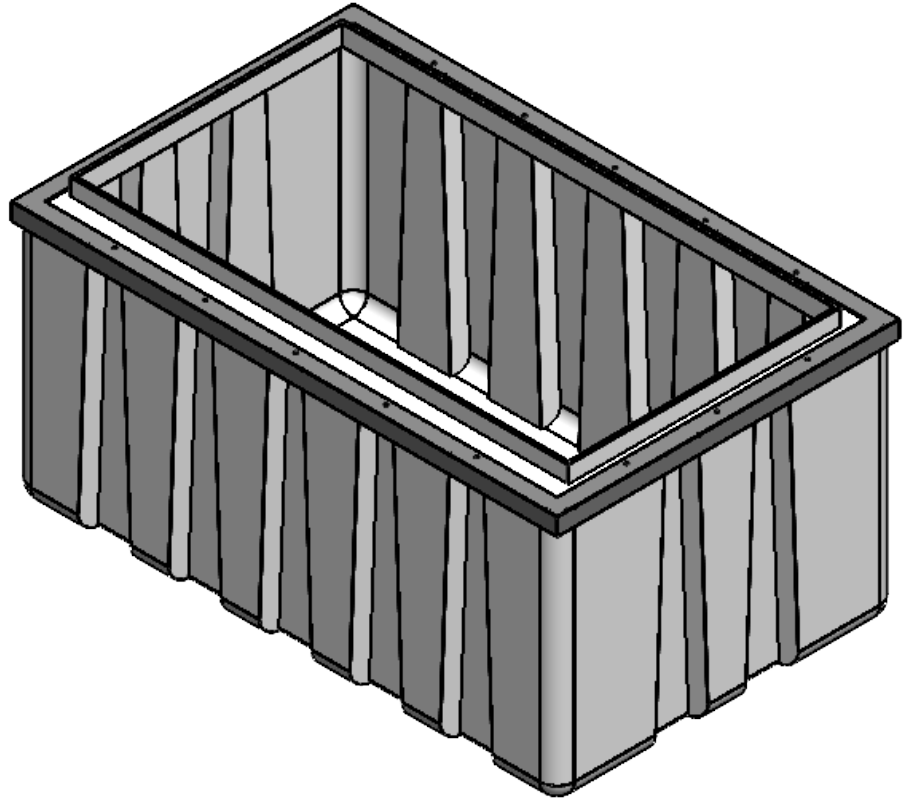
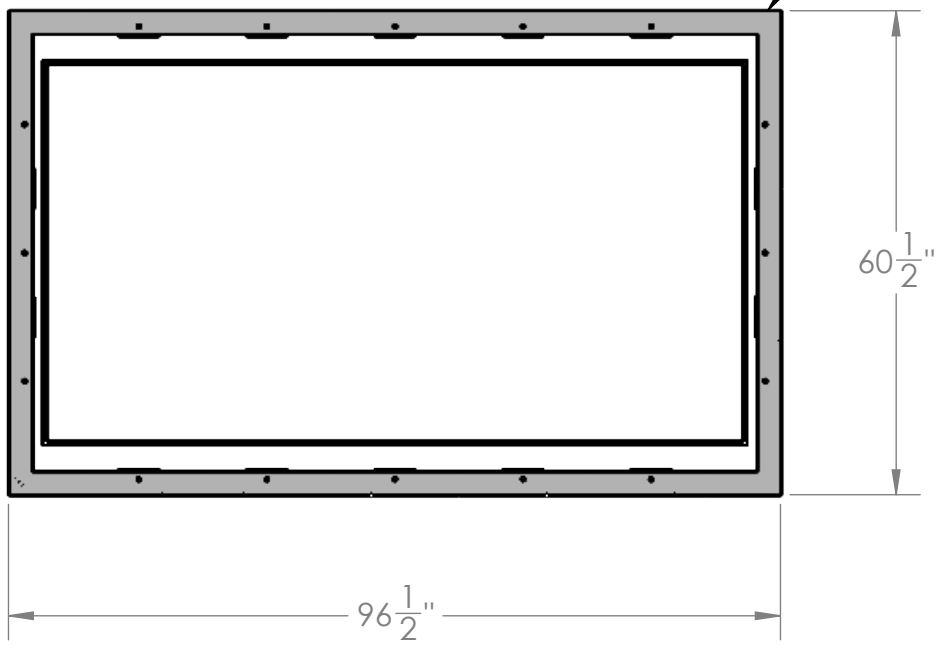


D
C
B
A

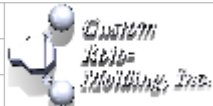
D
C
B
A

STEEL SUPPORT FRAME



- NOTES:**
- 1. MATERIAL: HDPE**
 - 2. MOLDED WT. 425 LBS.**

PROPRIETARY AND CONFIDENTIAL
 THE INFORMATION CONTAINED IN THIS DRAWING IS THE SOLE PROPERTY OF <INSERT COMPANY NAME HERE>. ANY REPRODUCTION IN PART OR AS A WHOLE WITHOUT THE WRITTEN PERMISSION OF <INSERT COMPANY NAME HERE> IS PROHIBITED.

| | | | | | | | |
|-------------|---------|---|------------------|-------------|---------|---|---------|
| | | UNLESS OTHERWISE SPECIFIED: | | NAME | DATE |  | |
| | | DIMENSIONS ARE IN INCHES TOLERANCES: FRACTIONAL ± ANGULAR: MACH ± BEND ± TWO PLACE DECIMAL ± THREE PLACE DECIMAL ± | | DRAWN | EBW | | 1-13-14 |
| | | INTERPRET GEOMETRIC TOLERANCING PER: | | CHECKED | | | |
| | | MATERIAL | | ENG APPR. | | | |
| | | FINISH | | MFG APPR. | | | |
| NEXT ASSY | USED ON | | | Q.A. | | | |
| APPLICATION | | DO NOT SCALE DRAWING | | COMMENTS: | | | |
| | | | | | | TITLE: 1000 GALLON RECTANGULAR OPEN TOP TANK | |
| | | SIZE | DWG. NO. | | | REV | |
| | | B | 1000 ROTT | | | | |
| | | | | SCALE: 1:24 | WEIGHT: | SHEET 1 OF 1 | |