

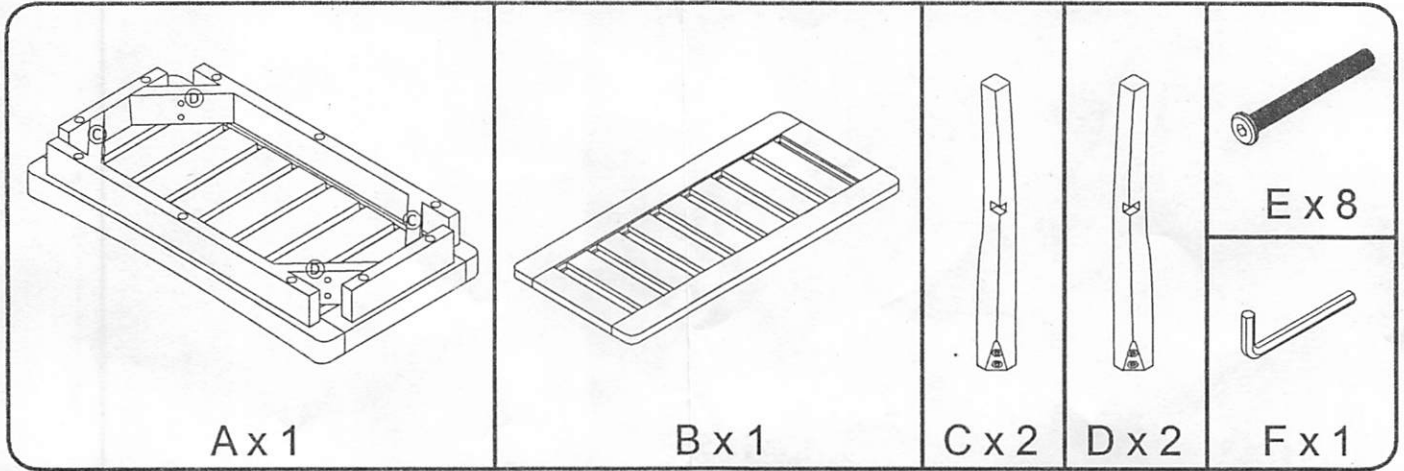


Assembly Instructions



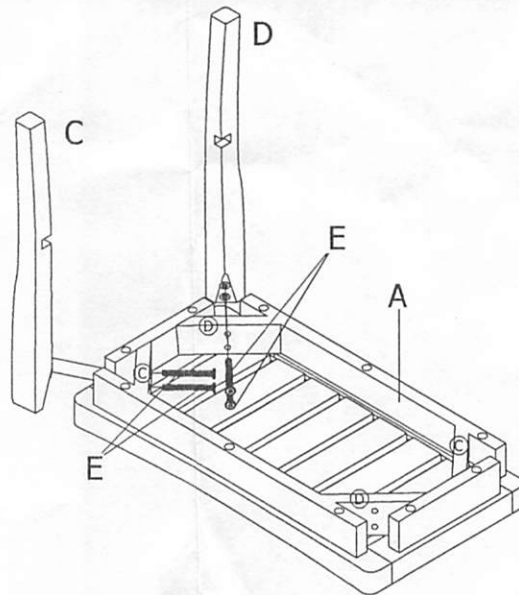
(888) 251-0985

www.ToiletTreeProducts.com

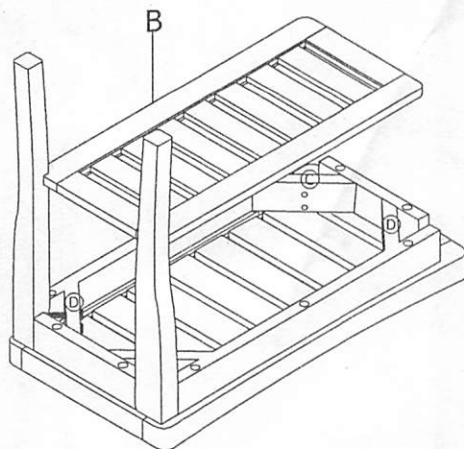


Remark:

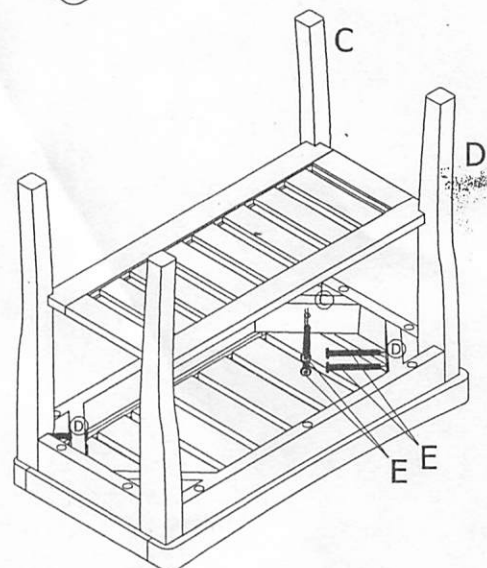
The leg "D" must match position "D" on board "A", the leg "C" must match position "C" on board "A"



step 1



step 2



step 3



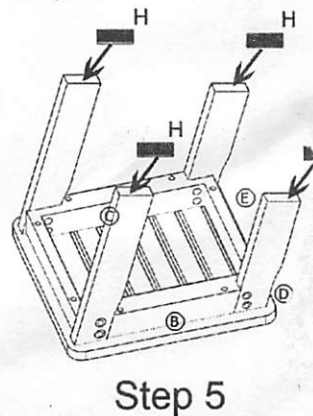
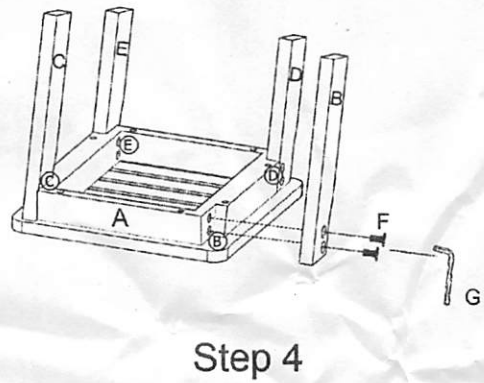
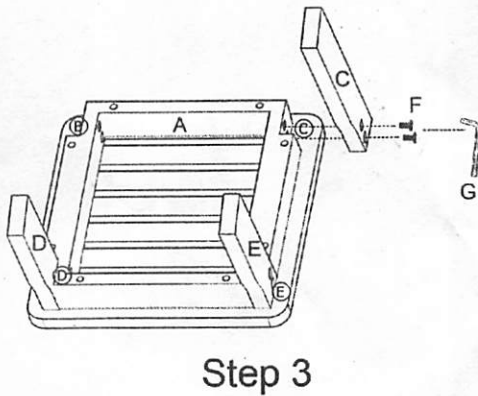
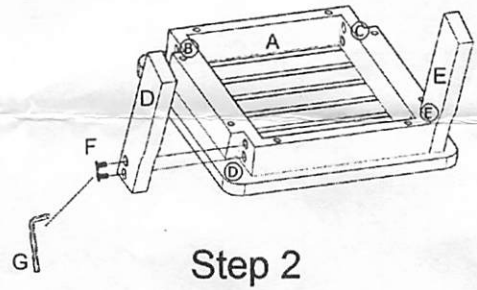
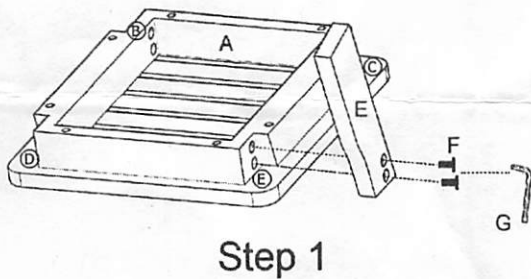
(888) 251-0985

www.ToiletTreeProducts.com

Assembly Instructions



<p>A x 1</p>	<p>B x 1</p>	<p>D x 1</p>	<p>F x 8</p>	<p>H x 4</p>
	<p>C x 1</p>	<p>E x 1</p>	<p>G x 1</p>	



Work:
 Markers on the legs should correspond to markers on the board A one by one.