

5G MIMO Directional Panel Antenna

698-3800 MHz

LTE-XPOL-002-5G Series



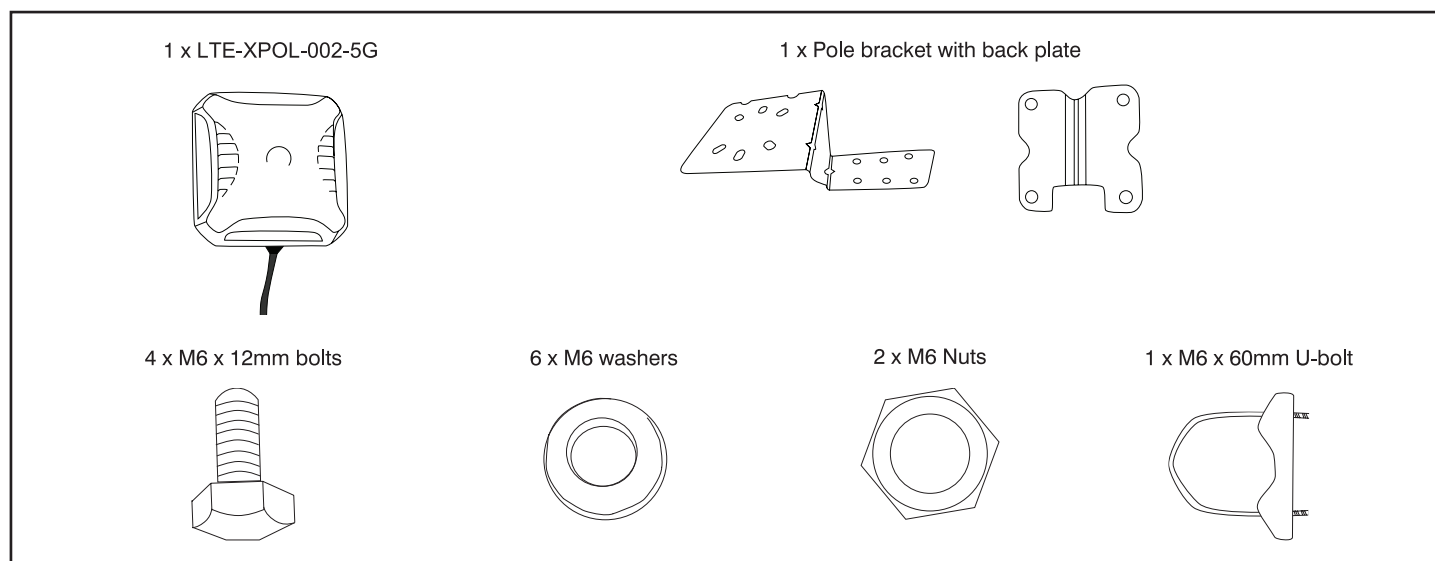
Thank you for purchasing this RFI antenna. This antenna provides an innovative and future proof solution for 5G / 4G / 3G and 2G networks. It incorporates two separately fed ultra wideband elements in a single housing which provide Multiple Input/ Multiple Output (MIMO) for the networks of today and tomorrow.

The weatherproof housing is designed for pole or wall mounting and comes in two versions:

- LTE-XPOL-002-5G: Comes with dual 10m low loss cable (LMR195) terminated with SMA male connectors
- LTE-XPOL-002-5G-NF: Comes with 2 x integrated N female connector mounted in the rear of the radome. This configuration allows for custom cable installation.

CHECK COMPONENTS IN THE ANTENNA PACKAGE

Before assembling and installing your antenna, please check your installation kit includes all the following components.

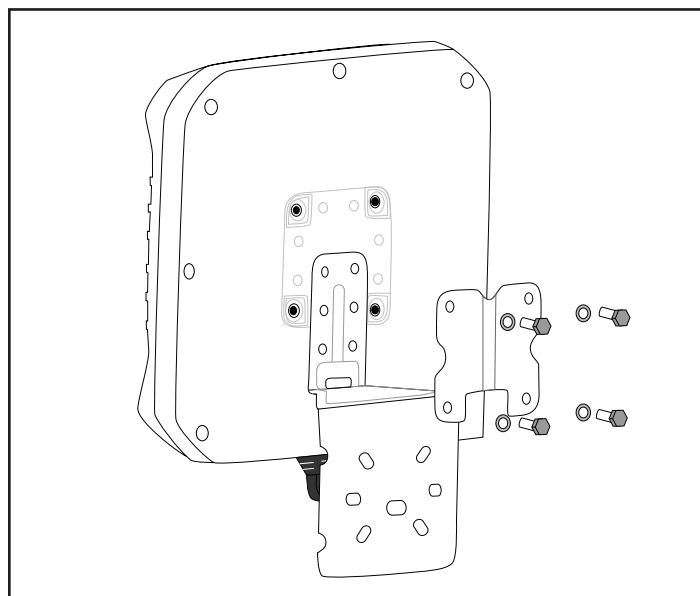
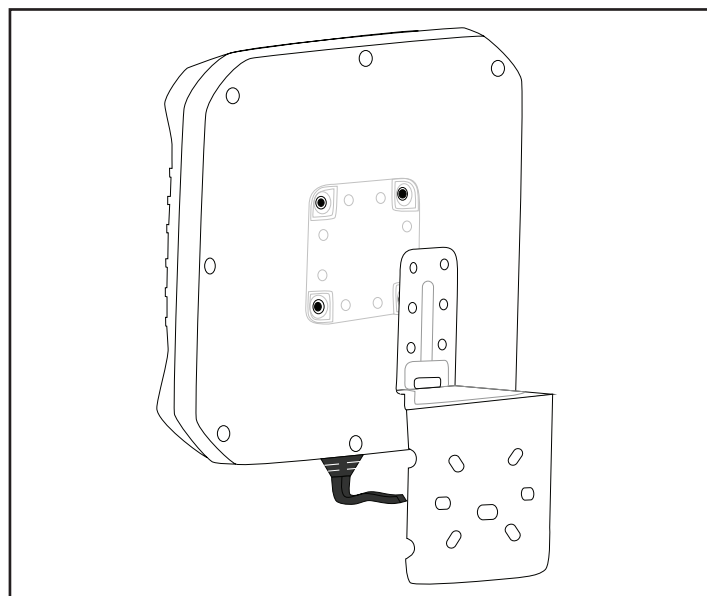


INSTALLING THE ANTENNA

To get optimum performance from this antenna, it should be mounted as high as possible clear of any obstructions. The antenna is supplied with a pole/wall mount bracket which will fit a 20-50mm pole.

Pole Mounting

1. Position the pole bracket against the back of the antenna, locating the 2 middle holes over the 2 lugs.
2. Place the antenna back plate over the pole mounting bracket and attach using the 4 x M6 x 12mm bolts & washers.



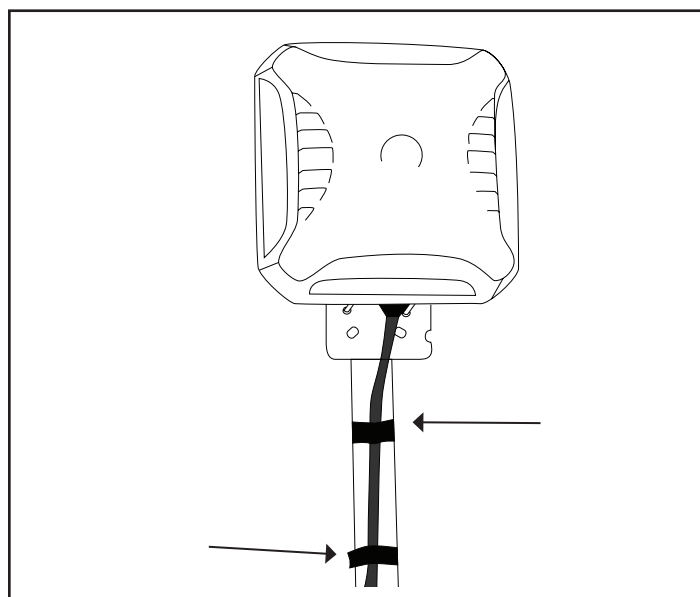
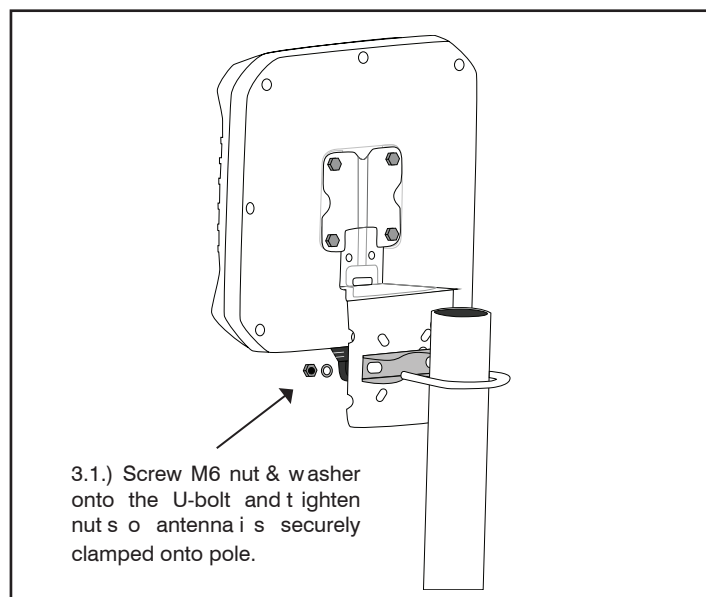
5G MIMO Directional Panel Antenna

698-3800 MHz

LTE-XPOL-002-5G Series



3. Place the U-bolt around the pole and insert into pole saddle & pole bracket .
4. Route cables down pole and secure using either cable ties or electrical tape.



Wall Mounting

Follow the same instructions as for pole mounting except mount pole bracket to wall using appropriate fixing screws.

CONNECTING THE ANTENNA

1. Connect the antenna cables (terminated with SMA type connectors) to 5G / 4G data card or modem. For devices using other connector types, 2 x patch leads (optional / not included) will be required to connect the antenna (SMA) to the device (phone or data card). Please contact your retail or network provider for availability.
2. Connect the data card or modem to your computer and follow the manufactures instructions to open the management software so that the screen shows the received signal strength. You may need to turn off your system and power up again after you have connected the antenna.

IMPORTANT: Some data cards or modems will only detect the connector of an external antenna on power up.

NOTE: Signal strength may be displayed either graphically with bars where more bars mean stronger signal strength or as a signal level value in dBm where the closer to 0 (zero), the better. For example, a signal level of -75dBm is better than a signal level of -85dBm.

COMPLETING THE INSTALLATION

Please check the following on completion of the installation:

1. Ensure all bolts & nuts are tight.
2. Ensure the cables are routed in a safe manner and is not a future hazard around the home or workplace.
3. Ensure all cable connection to the device are tight.