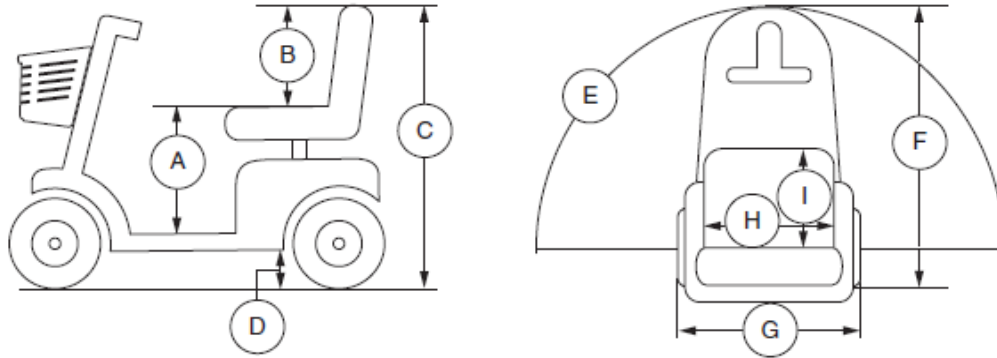


# PRODUCT SPECIFICATIONS SHEET



Model Numbers	3-wheel: 66; 4-wheel: 67
Class	A
Weight Capacity	3- and 4 wheel: 400 lbs. (181 kg); 28 stone 8 lbs.
Speed (Maximum) <sup>1</sup>	3- and 4-wheel: 5.2 mph (8.4 km/h)
D Ground Clearance <sup>2</sup>	3- and 4-wheel: 1.25 in. (32 mm) at motor
E Turning Radius <sup>2</sup>	3-wheel: 40 in. (1016 mm) 4-wheel: 52 in. (1323 mm)
Reversing Width (K-turn) <sup>2</sup>	3-wheel: 49.25 in. (1250 mm) 4-wheel: 61.25 in (1560 mm)
F Overall Length <sup>2</sup>	3-wheel: 46 in. (1167 mm) 4-wheel: 47 in. (1194 mm)
G Overall Width <sup>2</sup>	3-and 4-wheel: 20.75 in. (525 mm)
Tires	3-wheel: Front: 8 in. (203 mm) solid, pneumatic 4-wheel: Front: 9 in. (229 mm) solid, pneumatic 3- and 4-wheel: Rear: 9 in. (229 mm) solid, pneumatic
Range Per Charge <sup>1,4</sup>	3-wheel solid tires: Up to 12.8 miles (20.5 km) at 400 lbs. (181 kg); 28 stone 8 lbs. Up to 17.4 miles (28 km) at 200 lbs. (91 kg); 14 stone 4 lbs. 3-wheel pneumatic tires: Up to 10.3 miles (16.5 km) at 400 lbs. (181 kg); 28 stone 8 lbs. Up to 14.7 miles (23.6 km) at 200 lbs. (91 kg); 14 stone 4 lbs. 4-wheel solid tires: Up to 14.8 miles (23.9 km) at 400 lbs. (181 kg); 28 stone 8 lbs. Up to 17.8 miles (28.6 km) at 200 lbs. (91 kg); 14 stone 4 lbs. 4-wheel pneumatic tires: Up to 12.1 miles (19.5 km) at 400 lbs. (181 kg); 28 stone 8 lbs. Up to 16.2 miles (26.1 km) at 200 lbs. (91 kg); 14 stone 4 lbs.
Total Weight Without Batteries <sup>5</sup>	3-wheel: 120 lbs. (54.25 kg) 4-wheel: 131.5 lbs. (59.75 kg)
H Standard Seating	Type: Molded Plastic Material: Black Vinyl Width: 20 in. (508 mm); 17 in. (432 mm) Depth: 18 in. (457 mm); 17 in. (432 mm) Weight: 27.25 lbs. (12.25 kg)
I Drive System	Rear-wheel drive, sealed transaxle, 24-volt DC motor
Dual Braking System	Regenerative and electromechanical
Battery Requirements <sup>3</sup>	Type: Two 12-volt, sealed lead-acid, non-spillable deep-cycle Size: U1
Battery Pack Weight <sup>4</sup>	U1 battery pack: 25 lbs. (11.25 kg) each
Battery Charger	3.5 amp off-board charger
Freewheel Operational Force	Less than 60 N
Drive Control Operational Force	Less than 5 N
Maximum Rated Slope	3- and 4-wheel: 6° (10.5%)
Maximum Obstacle Climbing Ability (Ascending/Descending)	3- and 4-wheel: 2.5 in. (65 mm)
A Seat to Floor Height	3- and 4-wheel: 16.5 in - 18 in. (419 mm - 458 mm)
B Seat Height	3- and 4-wheel: 15.25 in. (388 mm)
C Overall Height	3- and 4-wheel: 38 in (965 mm)
Measured Sound Level (A-weighted)	Less than 65 dB

<sup>1</sup> Varies with user weight, terrain type, battery amp-hour rating (Ah), battery charge, battery condition, tire type and tire condition. This specification can be subject to a variance of +10%, -5%.  
<sup>2</sup> Due to manufacturing tolerances and continual product improvement, this specification can be subject to a variance of (+ or -) 3%.  
<sup>3</sup> AGM, Gel-Cell, or Hybrid Gel (Hybrid Gel is defined as Nano Silica Gel Electrolyte with High Quality Glass Mat Separators) type required. See Ill. "Batteries and Charging."  
<sup>4</sup> Tested in accordance with ANSI/RESNA, WC Vol 2, Section 4 & ISO 7176-4 standards. Results derived from theoretical calculation based on battery specifications and drive system performance. Test conducted at maximum weight capacity.  
<sup>5</sup> Includes standard seat.  
<sup>6</sup> Battery weight may vary based on manufacturer.

**NOTE: This product conforms to all applicable ANSI/RESNA, ISO 7176 series, AS/NZS 3695.2, and EN12184 standards. All specifications subject to change without notice.**

# Robustly Rugged And Perfectly Convenient

Specifications	
<b>Scooter</b>	
Weight Capacity	28 st 8 lbs (181 kg)
Overall Length	1194 mm (47")
Overall Width	525 mm (20.75")
Overall Height	955 mm (38")
Drive Tyres	Front: 229 mm (9") Solid, Pneumatic Rear: 229 mm (9") Solid, Pneumatic
Ground Clearance	32 mm (1.25") at Motor
Colour(s)	True Blue, Grey Street
Suspension	Comfort Trac
Heaviest Piece When Disassembled	25.85 kg
<b>Mobility</b>	
Drive System	Rear-Wheel Drive, Sealed Transaxle, 24v DC Motor
Dual Braking System	Regenerative and Electromechanical
Turning Radius	1323 mm (52")
Max Speed	4 mph (6.4km/h)
Maximum Obstacle Climb	65 mm
<b>Battery</b>	
Battery Requirements	2 x 30-35 Ah
Battery Weight	U1 Battery Pack 11.25 kg Each
Battery Charger	3.5A Off-Board
Total Weight Without Batteries	60 kg

## Features



Easily Disassembled Into Five Pieces



Underseat Storage



Comfort Trac Front and Rear Suspension



Full LED Lights Package



REV 02 - 30/01/2023

**PRIDE**  
MOBILITY PRODUCTS LTD.  
LIVE YOUR BEST\*

[www.pride-mobility.co.uk](http://www.pride-mobility.co.uk)