

INSTRUCTIONS & TECHNICAL MANUAL

BATH LIFT



BATH LIFT MODEL CRM2015

Important safety information	3
Installation	4
The Product	
Battery and charger	5
Temperature gauge and probe	5
Handheld controller	5
Indicator Lights	6
Maintenance	6
Operation	7
Guarantee/Weights & Measurements	8
Environmental Information	8

CONTAINED IN YOUR RELAXA BOX

1 Bath lift with remote control	1 Manual
1 Wall mounting plate	1 Battery box
1 Belt sleeve	1 Charger
1 Floor bracket	(Fixing and fixing screws are NOT included)
1 Shower cover	

ABOUT THE BATH LIFT

The bath lift is a motorised device designed to aid people who find accessing the bath increasingly more difficult. The bath lift assists in independent living by making access to the bath safer and easier.

Using the control buttons, the user is lowered into or raised out of the bath. The bather is seated on a reinforced polypropylene belt, which is secured to a winding shaft within the cabinet case. The other end of the belt is secured to a sturdy floor bracket at the side of the bath.

FEATURES OF THE BATH LIFT

- The bath lift is powered by a 24-volt DC rechargeable battery pack. No mains electricity is required in the bathroom to operate the bath lift.
- The bath lift can be operated from the unit, using the up and down buttons or via a handheld remote control.
- The bath lift unit has green and red indicator lights to show when the battery is in operation or needs recharging. There is also an audio/visual alarm to alert users that the battery is low.
- To avoid the risk of scalding, each unit comes with a handy water thermometer and an immersible probe, which states the water temperature.
- The bath lift has a built-in safety feature to prevent excessive tensioning if the control button is held down for too long whilst stretching the belt across the bath.
- A device is fitted to prevent the belt from rolling up in reverse.
- A microswitch prevents the bar from being taken into the unit if the UP button is pressed for too long.
- The interior of the cabinet is fabricated from stainless steel to provide improved corrosion resistance.

SAFETY

Please note: Serial number:

Installation date:



IMPORTANT SAFETY INFORMATION

These warnings and safety information **MUST** be read before installing or using the bath lift.

Please ensure that you retain this instruction manual with the bath lift for future reference. Should the bath lift be sold or transferred to another owner or if you move to a new house and leave the bath lift, always ensure this instruction manual is available for the new owner.

INSTALLATION

- The bath lift must be installed by a competent professional, familiar with building and construction.
- Ensure there are no pipes or electrical cables that could be damaged when fixing the unit to the wall and floor.
- When fixing to a “studded” or non-solid wall, reinforcement may be required to ensure the bath lift will take the bather’s weight and operate safely.
- The maximum lifting weight is 110kg (17.3st) and **MUST** not be exceeded.
- The bath lift should only be used with a standard size/shape bath.

CHILD SAFETY

- Do not allow children to play with the bath lift.
- If there is the possibility of children having access to the bath lift, remove the battery to a safe and secure location. Care must be taken to avoid soaking the unit with an excess of water, which could damage the interior electronics.

USE OF THE BATH LIFT

- The battery charger **MUST NOT** be used in the bathroom.
- The belt must be secured into the floor bracket correctly and safely, ensuring that the retaining discs prevent the belt from coming out. Familiarise yourself with the location of the floor bracket to avoid injury.
- If you are not comfortable using the bath lift independently, ensure you have a capable carer present.
- Use the grab rail to steady yourself when getting in or out of the bath.
- The thermometer is only intended to provide an indication of the water temperature. Always test the bath water by hand to ensure it is a safe, comfortable temperature for the bather.
- The bath lift should only be used for the purpose it is intended for.
- When showering, care must be taken to avoid soaking the unit with an excess of water, which could damage the interior electronics. A shower cover is included with the bath lift.
- Keep fingers away from where the belt enters the unit whilst the belt is retracting.
- When using the bath lift for the first few times, the bather should accustom themselves to the lifting and lowering motion. Pay extra attention to the sideways re-adjustment, as the belt is fed from one side only.
- Do not clean the belt with bleach or any other substances which may irritate the skin. We do not recommend using oils or emollients in the bath.

INSTALLATION

Because it is imperative that the installation is carried out safely and correctly, the bath lift must be fitted by a competent professional, familiar with building and construction.

Walls of various constructions each require different treatments and fixings. The supporting wall must be sufficiently robust to hold the unit and a user weight of up to 110kg (17.3st) during its operation.

THE CHASSIS BACKPLATE AND THE WALL PLATE

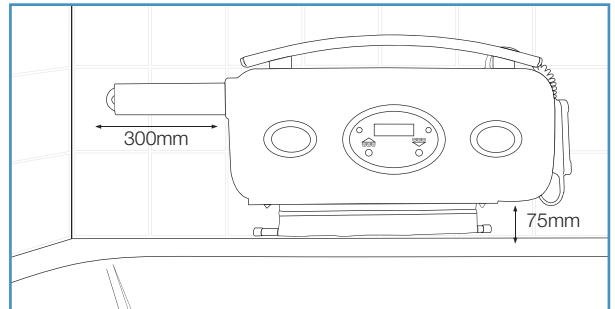
The wall plate has 6 projecting studs which allow screws, bolts or other suitable fixings to pass through, securing the plate firmly to the wall.

The chassis backplate has 6 keyhole slots which slot tightly down over the projecting studs. Both plates should fit together flush and level at the bottom edge.

The bath lift should be fitted so that the centre line of the lower 3 studs are 130mm (approx. 5") above the rim of the bath, allowing a 75mm (3") gap under the bath lift. A gap, with a minimum size of 300mm (12") is required from the wall, to allow the battery to be removed.

Position the edge of the belt near to where the sloped back of the bath meets the flat bottom of the bath. This can be adjusted slightly to suit the user's comfort.

If there is a ledge between the bath and the wall, the bath lift is still able to operate at a maximum 100mm (4") gap. For wider ledges please contact the supplier for advice.



WALL MOUNTING THE UNIT

Fitting to a solid brick wall with sound tile or plaster finish:

Position the wall plate as described above. Use 6x 6mm screws into suitable rawlplugs to fix to this type of wall (MINIMUM LENGTH 80mm). Follow the screw manufacturers instructions for the correct fitting. Make certain that all 6 fastenings are securely fitted.

Fitting to a 'studded' or non-solid wall:

An absolutely secure fixing to this type of wall is vital, so reinforcement of or the insertion of a solid area is required. Consult a builder experienced in this work. If screwed rods with nuts are used to fix right through the wall, together with a load spreading plate on the rear side, then make certain that the rods finish flush with the nuts inside the unit.

– **OTHERWISE THE BELT COULD BE DAMAGED WHEN USED. Position as shown in the above diagram.**

FLOOR BRACKET FIXING

Fitting to a stone or concrete floor:

First, make certain that there are no services that might be damaged by drilling into the floor. With the unit soundly fixed to the wall, extend the belt square across the bath and vertically down the side. Position the floor anchor bracket against the bath panel ensuring a snug fit. Use 7x No. 10 stainless steel screws into suitable rawlplugs to fix to this type of floor. Follow the rawlplug manufacturer's instructions for correct fitting.

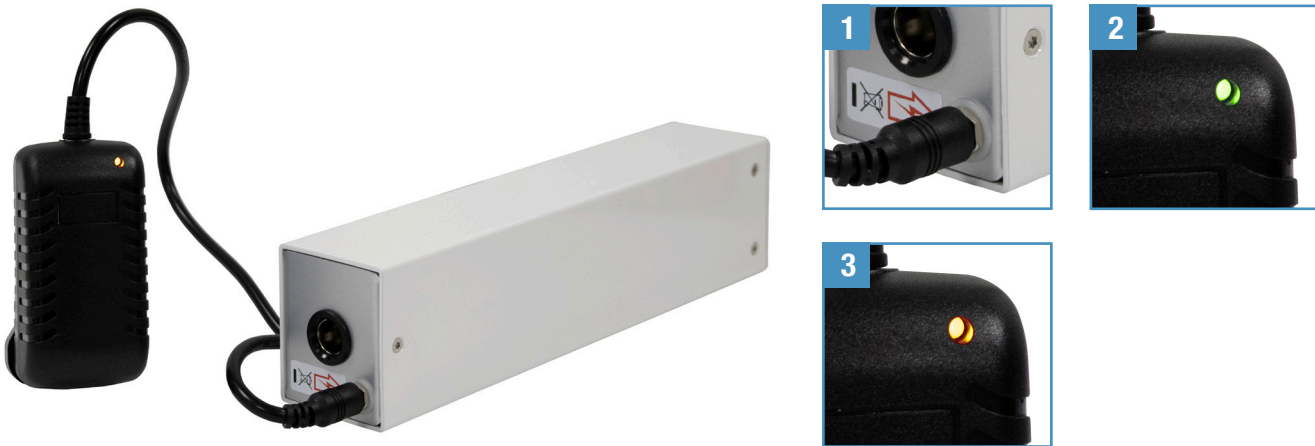
Fitting to a wooden boarded floor

Procedure as above. Use 7x No. 10 screws to fasten the mounting bar to the floor. If it is thought that the flooring is not adequate to take the strain, add a cross baton under the floor to reinforce the boarding.

THE PRODUCT

THE BATTERY AND BATTERY CHARGER

- Charge the battery for a minimum of 15 hours before first use.
- When charging the battery, ensure the battery lead is plugged into the small socket¹ on the battery, which is indicated by the arrow and **NOT** in the large central socket. Plug into a 12-amp mains socket.
- The battery weighs 1.5kg (3.3lbs) and should be handled carefully.
- The charger must not be used in the bathroom.
- The charger shows **Green**² when plugged in but not connected to the battery. Once connected to the battery an indicator light shows: **Orange**³ when the battery is charging and **Green**² when the battery has adequate charge.



BATTERY CARE

It is important that the battery is charged regularly, as this will prolong the life of the battery cells. It is recommended that the battery is charged at least once a week for 10 - 15 hours. As the battery becomes older it will require more frequent charging. The charging rate is small, so the battery can be left on charge without any detriment to the battery.

HANDHELD CONTROLLER

The handheld controller has 'UP' and 'DOWN' buttons and operates in the same way as the control buttons on the unit itself. It can be operated by the bather or by a helper. For easy recognition, the GREY arrowed button is for DOWN into the water. There is a suction pad on the controller to attach it to the bath lift or bathroom wall, whichever is convenient.

TEMPERATURE GAUGE AND PROBE

The probe is located on the bottom right hand side of the unit. The probe has a small plastic suction disc attached and should be fixed to the side of the bath, under the water line. Briefly press either button and the gauge will show the water temperature for 20 seconds.



THE PRODUCT

INDICATOR LIGHTS

When the buttons are pressed, the unit will 'come to life' and the green indicator light will illuminate, together with the temperature module. If the unit is not in use for more than 30 seconds it will go to sleep, to conserve the battery. When the button is pressed, the unit will again illuminate and the direction the belt is moving will be shown as arrows on the screen. When your finger is taken off the button, the screen will show the temperature of the water.



A red light will appear on the front of the bath lift to indicate that the battery is low, together with two beeps of an audible alarm. After hearing the alarm you should charge the battery IMMEDIATELY. If you continue to use the bath lift without charging the battery, the red light will continually flash and the alarm will sound constantly. An empty battery symbol will appear on the screen and the bath lift will not work in the down position. However it will work in the up position, thus enabling the bather to get back to the top of the bath and get out of the bath safely.

MAINTENANCE

- Should you find the tension on the belt is loose, release the belt fully and feed the belt back in slowly while applying tension to the belt.
- The belt should not be retracted when wet.
- Ensuring the battery is regularly charged will increase its lifespan and reliability. A replacement battery pack can be sourced from the supplier of the bath lift.
- As the unit must have entry point for the battery and belt, it is NOT waterproof **WATER CAN GAIN ACCESS.**
- When showering, care must be taken to avoid soaking the unit with an excess of water, which could damage the interior electronics. A purpose made shower cover is provided with the unit to help with this.
- Make sure the bath lift is dry before placing the shower cover.
- The bath lift will have a longer life expectancy if the unit is kept clean and hygienic. Routinely wipe down the bath lift unit and belt using a damp cloth. If contamination of the belt is suspected, you may wish to use an anti-bacterial cleaner. Bleach and other skin irritants should be avoided when cleaning the belt.
- If you were to attempt to remove the unit from the wall, please be aware that the unit is heavy and weighs 17kgs. You should only remove it if you feel able to do so and you may decide that the removal requires more than one person to bear the weight. We do not accept any liability in this regard.

Replacement parts can be purchased from Relaxa Mobility or one of our approved suppliers. A full list of parts and accessories is available on request.

OPERATION

When the battery is fully charged, and the temperature probe is in position the bath lift is ready to be used.

STEP 1



Place the battery in the hole on the left-hand side of the bath lift. Ensure it is firmly pushed into position.

STEP 2



Press the down button and feed out the belt sufficiently for it to reach the floor bracket by using the control buttons on the bath lift unit or the handheld controller.

STEP 3



To fit the belt sleeve, fold the belt as shown and slip on the sleeve.

STEP 4



By rotating the discs the floor anchor rod can be located into the floor bracket itself. Turn the discs to ensure the floor anchor rod is positively locked in.
THIS IS VERY IMPORTANT. Do NOT remove the Floor Anchor Rod

STEP 5



Tighten up the belt by pressing the 'UP' button until the belt is taut across the bath. The automatic cut out will stop the belt when it is tight. The bath lift is now ready for the bather to sit on the belt.

STEP 6



The bather should ease their legs over the side of the bath and into the water holding on to the grab rail for extra support. Sit in the middle of the belt sleeve, as close to the unit as possible, in an upright position.

STEP 7



Hold the DOWN button for 1-2 seconds before releasing and slide the belt sleeve to readjust positioning on the belt. Repeat this process to be slowly and gently lowered to the bottom of the bath. Now sit back and enjoy a relaxing bath.



When the bather is ready to exit the bath, press the UP button and this will raise and return the lift back to the original bath height, so that the bather can hold on to the grab rail and place their feet over the edge and onto the floor.



With the belt slackened, free the end secured to the floor bracket. Next **REMOVE THE BELT SLEEVE** and then press the UP button and the belt will retract. Ensure that the belt is level and square as it feeds back into the bath lift unit. Leave about 75mm (3") of the belt outside the unit so that it is easy to access for the next use. Allow the belt sleeve to dry naturally to avoid crinkling

GUARANTEE

MANUFACTURERS GUARANTEE

The manufacturer provides a 12 month guarantee, effective from the date of purchase of the bath lift subject to; (A) the bath lift being unable to fulfil its function due to proven faulty components and/or faulty workmanship and (B) that the faulty product is returned direct to the factory.

Please note the bath lift's **installation date** and **serial number** which can be found just underneath the battery, on the left hand side as you are facing the unit. Example only: 30-000133.

ENVIRONMENTAL INFORMATION

At the end of its useful life, this product contains materials which, when processed correctly, can be recovered and recycled. By participating in the responsible recycling of this product, you will be reducing the requirement for new raw materials and reducing the amount of material that would otherwise end up in landfill.

Batteries at the end of their working life must be disposed of in an environmentally safe manner. They must NOT be disposed of on an open fire or by any other hazardous means.

The bath lift and accessories can be taken to your local recycling centre. The local authority will advise you of the collection facilities available for waste electronic products in your area.

WEIGHTS AND MEASUREMENTS

Dimensions: Length 55.5cm (21.8")
 Height 32.5 cm (12.8")
 Depth 11.8 cm (4.6")
 Weight unpacked 11kg (24.5lbs)
 Weight packed 15.9kg (35.5lbs)



Any serious injury relating to the use of the Relaxa Bath Lift should be reported to Relaxa Mobility Ltd via the contact details below and the MHRA using the online form at www.mhra.gov.uk

CE CLASS 1 AND EMC APPROVED
EEE Producer Registration No. GA0292UQ

MANUFACTURED BY:

Relaxa Mobility Ltd
1 Kites Park,
Summerleys Road,
Princes Risborough
Buckinghamshire
HP27 9PX
t: 01844 397044
www.relaxamobility.co.uk

SUSTAINABILITY STATEMENT

Relaxa Mobility value the importance of producing high quality sustainable products. We support the reuse or reselling of our products which are yet to reach the end of their useful life. Re-using the Relaxa bath lift extends the life-cycle of the product and minimises its environmental impact.

(In the light of continuous improvement, the company reserves the right to change the specification of the product and manual)
Revision 4, May 2023