



# Instruction manual

**ALT-ST200 Alerta Move Assist**



UK Version

## IMPORTANT



Before use ensure the product has been assembled according to the instructions in this manual. All operators should have received or read and understood the instructions for safe and proper operation of the **Alerta MoveAssist** standing transfer aid.

## Product Features

The **Alerta MoveAssist** is a transfer assist unit which keeps the user actively engaged in the process. Transfer functions of all types are quick and require minimal caregiver assistance. Each unit is equipped with a crossbar where users can grasp and pull their self up into a standing position using their own strength. The padded split seats swing out allowing the user to stand up and board the unit. The caregiver then flips the split seats back into place to form a secure and comfortable seat for the user to sit on for the remainder of the transfer.

A patient or resident who qualifies to use the **Alerta MoveAssist** must have enough leg and lower body

strength to stand up and remain in the standing/sitting position. Adequate arm strength is required if the patient must use the crossbar. Users who satisfy these criteria and have difficulty walking or present a potential for falling down will find the **Alerta MoveAssist** a useful and safe transfer device. For patients who lack these requirements, a standaid hoist is recommended.

The **Alerta MoveAssist** standing transfer aid is suitable for the following types of transfers:

- Bed to Chair/Wheelchair
- Bed/Chair/Wheelchair to commode
- Room to Room

## Assembly

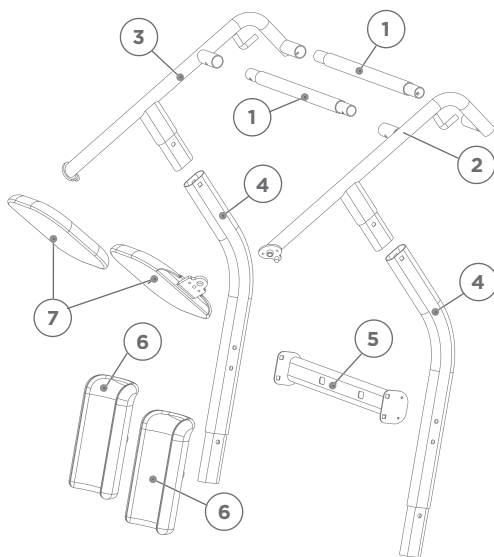
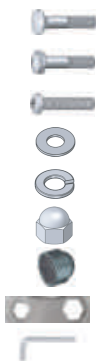
Prior to assembly, unpack all parts from the shipping carton and check for any missing parts. Contact your dealer immediately if a part is missing.

## Parts List

- |                         |                         |
|-------------------------|-------------------------|
| 1. Cross Bar x 2        | 5. Knee Pad Support Bar |
| 2. Right Side Arm       | 6. Knee Pad x 2         |
| 3. Left Side Arm        | 7. Seat x 2             |
| 4. Side Support Arm x 2 |                         |

## Tools & Fasteners

- |    |     |               |
|----|-----|---------------|
| A1 | 8x  | Carriage bolt |
| A2 | 2x  | Hex bolt      |
| A3 | 4x  | Hex screw     |
| A4 | 10x | Washer        |
| A5 | 10x | Lock washer   |
| A6 | 8x  | Lock nut      |
| A7 | 2x  | Plastic cap   |
| T1 | 1x  | Wrench        |
| T2 | 1x  | Allen key     |



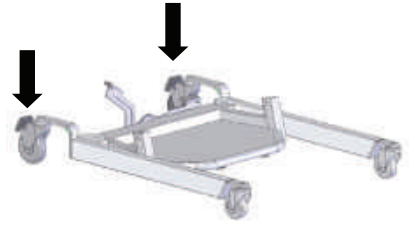
Factory assembled base with foot plate and castors

# Step By Step Assembly

## STEP ONE

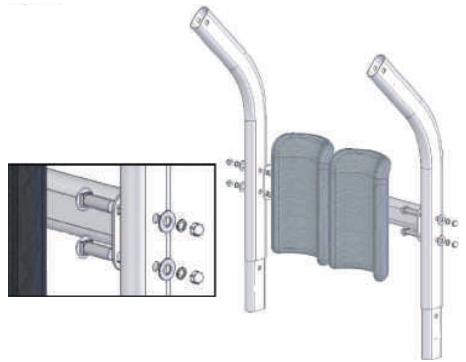
Place the base assembly on the floor and lock casters in place for ease of assembly.

Insert the kneepads into the support bar and secure them in place with bolts and washers (**A2 + A5 + A4**) as indicated below.



## STEP TWO

Cover the two bolt heads with black plastic caps (**A7**) to complete kneepad assembly.



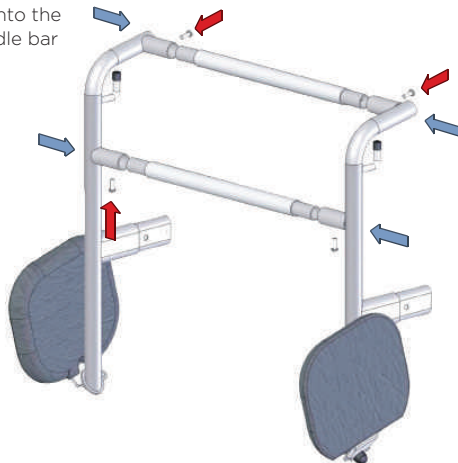
## STEP THREE

Install the kneepad assembly between the two side support arms as shown. Fasten in place with four carriage bolts, nuts and washers.

## STEP FOUR

Insert the two cross bars into the holes on the seat and handle bar support units.

Use the 4 hex screws (**A3**) with Allen key (**T2**) to tighten the completed assembly



Line up the small holes on the underside of the tubes with the holes in the support units.

# Step By Step Assembly

## STEP FIVE

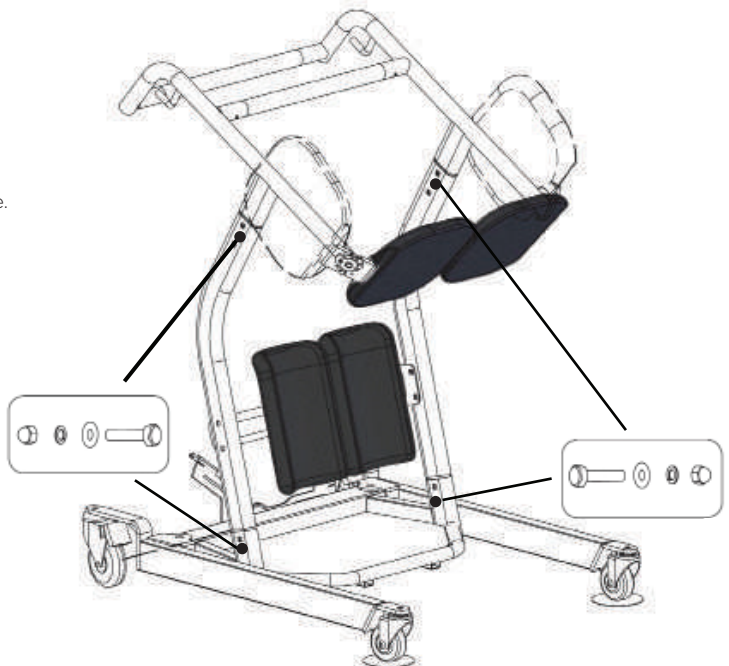
Insert the kneepad side support assembly into the base slots and then insert the seat assembly into the kneepad and side support assembly.



## STEP SIX

Use the remaining 4 carriage bolt assemblies to securely fasten the two sub assemblies to the base unit.

All of the square shoulders of the bolts should be on the inside and the washers and lock nuts on the outside. **(A1 + A4 +A5 +A6)**



# Operating Instructions

## IMPORTANT



Double check all assemblies for tightness and read operating instructions carefully prior to use.



## Seat Usage Instructions

The two black molded seat units can be rotated upwards to allow for patient loading. Once the patient is in an upward standing position the split seats must be lowered down to form a complete two-sided seat. Always make sure each of the two seat components are properly lowered forming a complete seat prior to having the patient sit down.

### STEP ONE

Raise the two split seat units up and parallel to the side of the **MoveAssist** as shown below.



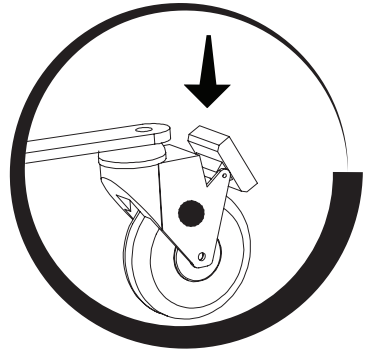
### STEP TWO

Have the patient positioned at the edge of the surface and move the standing transfer aid in front of the patient so that their feet are firmly on the platform and knees/shins are in contact with the two cupped knee/shin pads as shown below. The **MoveAssist** allows access around wider obstacles such as recliners. The base of the **MoveAssist** opens by stepping the foot pedal.

# Operating Instructions

## STEP THREE

Lock the casters by stepping on the caster clip and pushing down as shown below.



## STEP FOUR

Have the patient grasp the cross bar closest to them and using their own strength pull themselves up into a standing position firmly on the platform as shown.



## STEP FIVE

Lower both of the split seat units down into position to form a complete seat as shown.



## STEP SIX

Have the patient lower themselves down onto the seat while keeping their knees/shins in the knee/shin pads and while still holding the cross bar with both hands as shown.

## STEP SEVEN

Unlock the casters and place both hands on the cross bar furthest from the patient and move the standing transfer aid to the new surface. Make sure the patient is secure and in proper position as described in Step 6 above prior and during transfer as shown below.



## Maintenance & Inspection

- The **MoveAssist** Standing Transfer Aid is a manual unit and therefore requires minimal maintenance on an ongoing basis. However to insure safety and proper use the following steps should be taken on a monthly basis.
- Check all bolt/nut assemblies to make sure they are tight and no wear and tear is evident. Replace and tighten any worn assemblies prior to using the **MoveAssist**.
- Check the two seat assemblies to make sure they are not worn or damaged and that the bolts are tight. Replace any worn or damaged seat components before using the **MoveAssist**.
- Check the casters to make sure they are in working order and are secured firmly to the **MoveAssist**. Replace any worn or damaged casters prior to using the **MoveAssist**.

 EU 2017/745



**CS Lifesciences Europe Ltd**

The Black Church  
St. Mary's Place  
Dublin 7  
D07 P4AX  
Ireland

[eurep@cslifesciences.com](mailto:eurep@cslifesciences.com)

Rev: 2021.10

# Making **cutting-edge** medical equipment **affordable**

## **Head Office**

Alerta Medical  
4 Symington Place  
Riverside Business Park  
Irvine  
KA11 5DE  
United Kingdom

[www.alertamedical.com](http://www.alertamedical.com)

