



User's Manual

Remora Pro Hang-On Skimmer

Thank you for purchasing an AquaC protein skimmer! Please read the following User's Manual carefully to become acquainted with some of the important features of your new skimmer. This high-performance filtration device must be installed and operated properly in order to achieve the best possible results.

WARNING !!! AquaC protein skimmers utilize a new form of air injection designed to produce enormous quantities of waste-laden foam. Failure to follow these instructions may result in water leakage, skimmer overflow, or even electric shock. Care must be taken when installing and using your new filtration device.

Introduction to your AquaC High Performance Protein Skimmer

Your new skimmer will require several days of use before it begins to work properly. Trace quantities of oils and residues from the manufacturing process will prevent immediate skimming. In order to hasten this initial "break-in" period, please wash the unit thoroughly with warm water (the use of soap or other chemicals is not recommended).

AquaC skimmers inject water through a special port designed to create a powerful air-induction spray. As this spray bombards the water within the skimmer's main chamber, thousands of tiny bubbles are formed and allowed to react with unwanted proteins and waste. After the bubbles become coated with organic wastes, they rise up the foam tower and spill into the collection cup. Unlike traditional venturi or air-stone driven skimmers, your AquaC High Performance Skimmer processes aquarium waste with maximum efficiency.

Skimmer Installation

Place the skimmer on the back of the aquarium. Your skimmer includes either a Rio 1400 or Mag Drive 3 water pump. Simply push the output nozzle of the water pump directly into the 3/4" I.D. flexible hose at the end of the skimmer's intake arm. The Remora is NOT designed to be used with the venturi accessory if you are using the Rio 1400. No other fittings are needed, and do not use the venturi attachment that comes with the pump. We recommend that you use a pair of pliers to tighten down the two black hose clamps to ensure a tight connection. Next, adjust the black leveling screws at the bottom of the skimmer to make sure that the Remora is not tilted or in danger of falling off the back of the aquarium. Once you've made sure that the water pump is completely submerged and the skimmer is level, you can plug it in to begin operation.

Congratulations! Your new AquaC High Performance Protein Skimmer is completely installed and is already beginning to improve your water quality! You can adjust the quality of foam by raising or lowering the collection cup. Be aware that the skimmer will produce very little foam at first, but once it "kicks in" it will produce a large amount of froth. The collection cup can be set at the desired height by moving the black o-ring up or down on the cup. At its lowest setting, the skimmer may collect an extremely wet, light-colored froth at first. In order to collect a dry foam, raise the collection cup a small amount each day until you find the desired level. Applying a very small amount of petroleum jelly to the black o-ring will prevent it from cracking over time. Do not apply lubricant to the cup itself. Be aware that it is normal for the unit to stop skimming after feedings or other tank disturbances. Oils on your hands or in the fish food will prevent any foaming action for a period of several minutes to an hour, at which point the skimming should resume with great efficiency.

Break-In Period

Your skimmer will release a number of microbubbles back to the tank during its first week or so of operation. While it is breaking in it won't collect much foam, but it will create many microbubbles that escape back to the tank. This is completely normal and they should subside after 1-2 weeks. If you are using any water conditioners or stress coat it is normal for the skimmer to produce an excessive amount of wet foam. We recommend against the use of these products, especially during the break-in period as they can potentially overflow the skimmer collection cup in a very short amount of time.

Microbubbles and Noise

It is normal for the Remora to release microbubbles back to the tank, especially during the first week or two of operation. During this break-in period, the skimmer will also run louder than normal. You should see a decrease in microbubbles and noise after several days of operation.

Maintenance

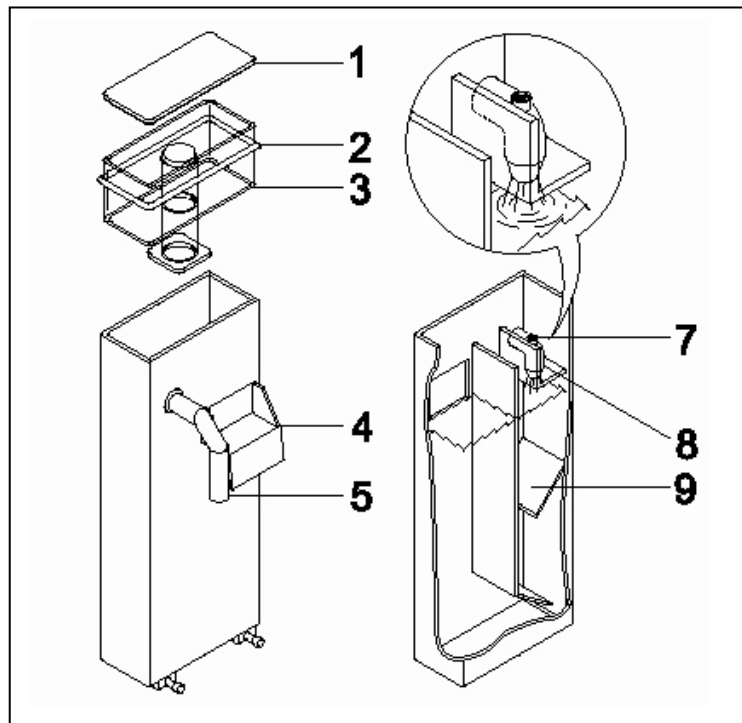
AquaC protein skimmers require very little maintenance. In order to achieve the maximum amount of efficiency from your skimmer, it is recommended that you clean the foam tower and collection cup at least twice a week. This is easily accomplished by wiping the foam tower with a wet rag and rinsing the cup thoroughly under warm water. The collection cup can be quickly removed for hassle-free cleaning. Never use any cleaners, chemicals, or soap to wash any part of the unit. The thick brown scum which rapidly accumulates along the sides of the foam tower greatly impedes the performance of the skimmer. Therefore, it is recommended that you clean the foam tower often. If possible, protein skimmer cleaning should be a daily priority.

The spray injector that powers your skimmer is designed to be maintenance free. In the unlikely event that a piece of algae or debris becomes clogged in the assembly, you can easily access the injector by unscrewing the small, white Injector Access Screw (see diagram below). **Be sure and unplug the water pump before performing injector maintenance!** Use a standard head screwdriver and remove the small screw by turning it counterclockwise – try not to let the screw fall into the skimmer once it is loose. Once removed, use the special injector brush to vigorously scrub the inside of the injector and spray port.

IMPORTANT!! When replacing the Injector Access Screw **DO NOT** thread the screw so far that it will fall into the injector. Only thread it deep enough so that it seals the hole. It is normal for a small amount of water to drip out of the sealed hole during operation, and this shouldn't be cause for concern.

It is a good idea to remove and clean the water pump every 3-6 months to maintain optimum performance. Use an old toothbrush or scrub pad to remove any debris or calcium/salt deposits from the impeller and shaft.

Skimmer Exploded View



- | | |
|----------------------------------|--------------------------|
| 1. Collection Cup Lid | 6. Leveling Screws |
| 2. Rubber O-ring | 7. Injector Access Screw |
| 3. Collection Cup and Foam Tower | 8. Spray Injector |
| 4. Water Return Ledge | 9. Internal Baffles |
| 5. Intake Arm | |

Important Safety Instructions

As with any electrical appliance, caution must be used in order to reduce the risk of shock or fire hazard. Failure to follow these instructions may result in flood, skimmer overflow, fire, or even electrocution. Care must be taken when installing and using your new filtration device. We strongly recommend that you install a GFCI on all outlets used near your aquarium.

General Do's and Don'ts

DO NOT clean your skimmer with any chemicals or soap. Use warm water and a non abrasive sponge. Many cleaners that contain alcohol, ammonia, or other chemicals can damage the acrylic and lead to stress cracks on the plastic's surface.

DO wash your new skimmer and pump with warm water prior to installation. This will help remove any oils and or manufacturing residues, which can prolong the break-in period.

DO NOT attempt to modify or retrofit your skimmer. This will void the warranty. The Remora and Urchin skimmers are not designed to be used with a venturi air adapter and doing so will result in a decrease in performance.

DO apply petroleum jelly to the collection cup o-ring. This will lubricate the ring and prevent it from breaking prematurely.

DO NOT run the skimmer on a timer with a rapid on/off cycle. It is OK to turn the skimmer off during feeding, trace element additions, etc. but frequent starting/stopping of the pump can wear out the impeller and motor prematurely.

DO NOT attempt to inject ozone into the skimmer. This skimmer is not intended for use with ozone.

DO use caution when hooking your skimmer up to a waste reservoir. It is normal for the skimmer to occasionally collect large amounts of wet foam in response to changing tank conditions, and a flood may result.

DO clean your skimmer's collection cup as often as possible. A dirty cup inhibits the collection of foam and will lead to poor performance.

DO NOT hesitate to contact our CUSTOMER SUPPORT TEAM if you have any questions regarding the installation or use of your new skimmer!

AquaC Limited Warranty

This AquaC protein skimmer is guaranteed to the original purchaser to be free from defects in materials and workmanship for a period of ninety (90) days from the date of purchase.

This warranty is limited to the original purchaser and is not transferable. The warranty shall only cover defects arising from workmanship or normal usage. AquaC shall accept no responsibility whatsoever for malfunctions, failures, or defects arising from misuse, alteration, modification, or improper installation or maintenance of this product.

At the time of request for warranty service, the purchaser must present proof of purchase documentation which includes date of purchase. Upon confirmation that the malfunction is a result of a defect covered by this warranty, AquaC shall, within ninety (90) days after receipt of the product, at its option, repair or replace the defective product.

Depending on your state of residence, some of the above terms may not be applicable.

Technical Questions? Email info@proteinskimmer.com

AquaC, Inc.

Visit us online at... www.proteinskimmer.com

7949 Stromesa Court, Ste. E
San Diego, CA 92126
info@proteinskimmer.com
858-689-1121 phone
858-564-3419 fax