

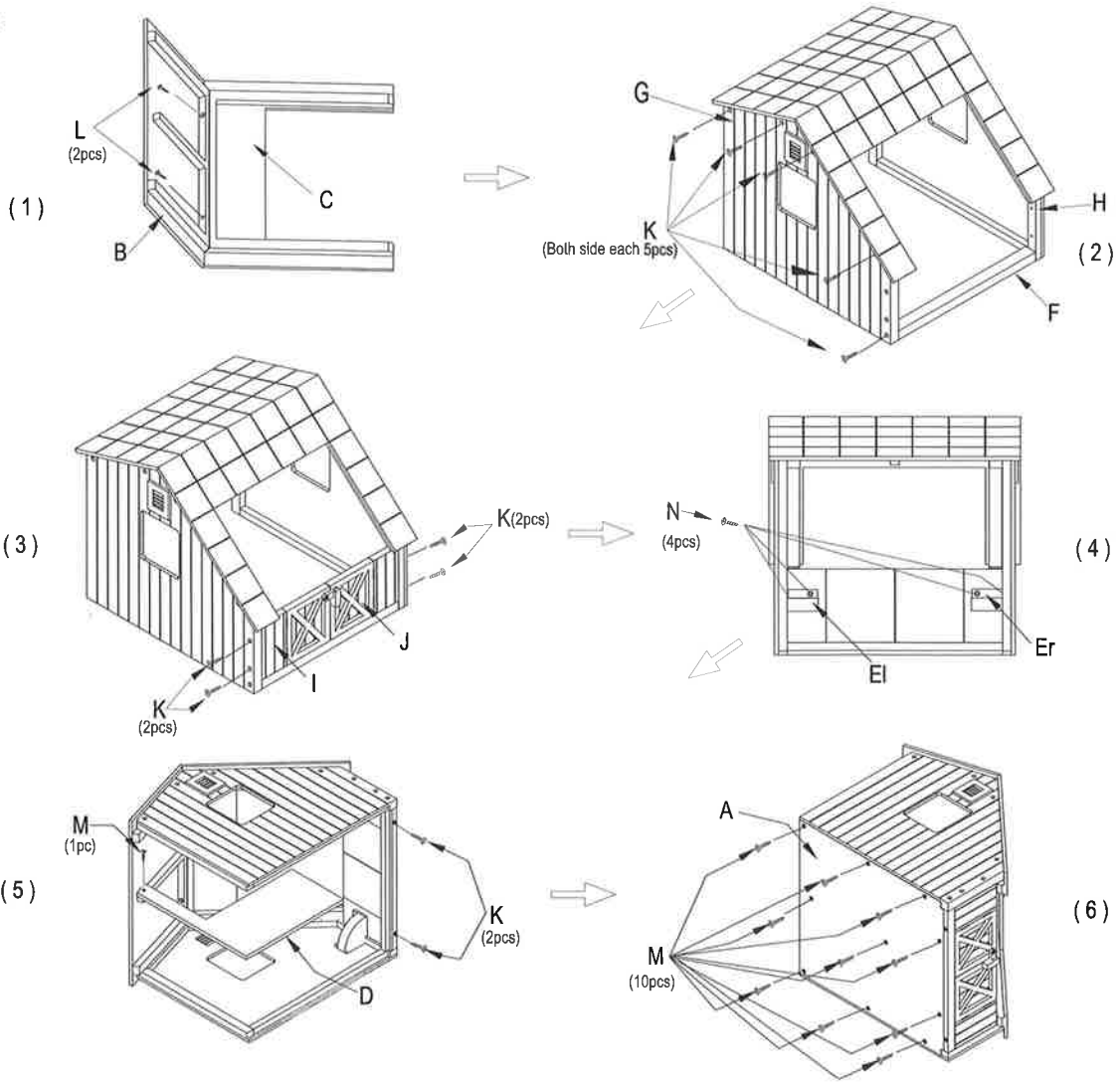


#306 Wood Stable Assembly sheet

Parts:

| | | | | |
|-----------|-----------|-----------|--------------------------|--|
| A 1pc | B 1pc | C 1pc | D 1pc E(l-r) 2pcs | F 1pc |
| G 1pc | H 1pc | I 1pc | J 1pc | K 16pcs L 2pcs M 11pcs N 4pcs |

Setting:



WARNING: Assembly should be done by adult or under adult supervision.

ASSEMBLY: The screws and joints must be correctly placed and tightened with Phillips screw driver before allowing children to play with the toy.

CAUTION: Check the equipment regularly for loose screws & joints. If the loose screws & joints not fixed before use, the toy may cause injury due to overturning or toppling. Check the equipment for wear & tear. Do not use if broken or damaged.

WARNING:
CHOKING HAZARD - Small parts.
Not for children under 3 years.