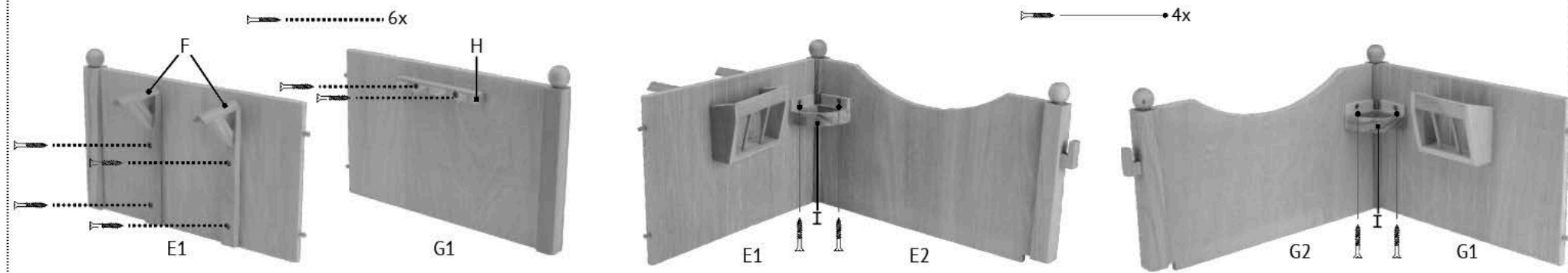
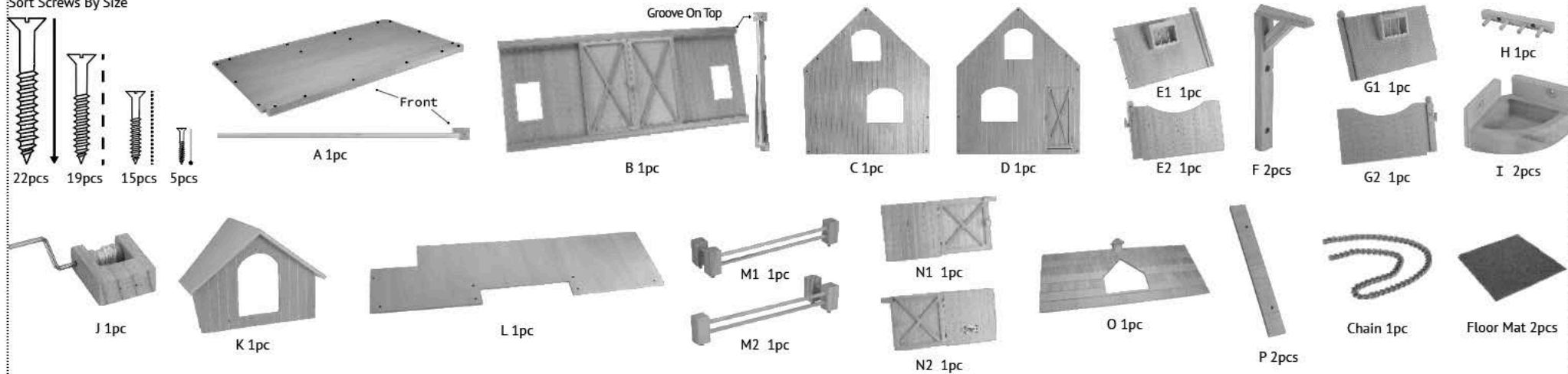
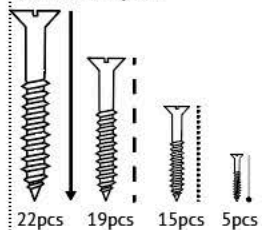




#302 Deluxe Wood Barn Assembly Sheet

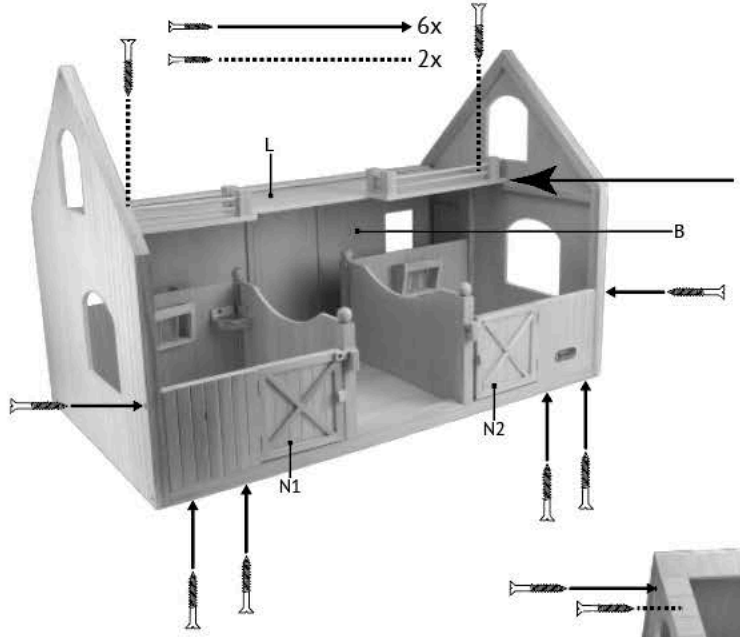
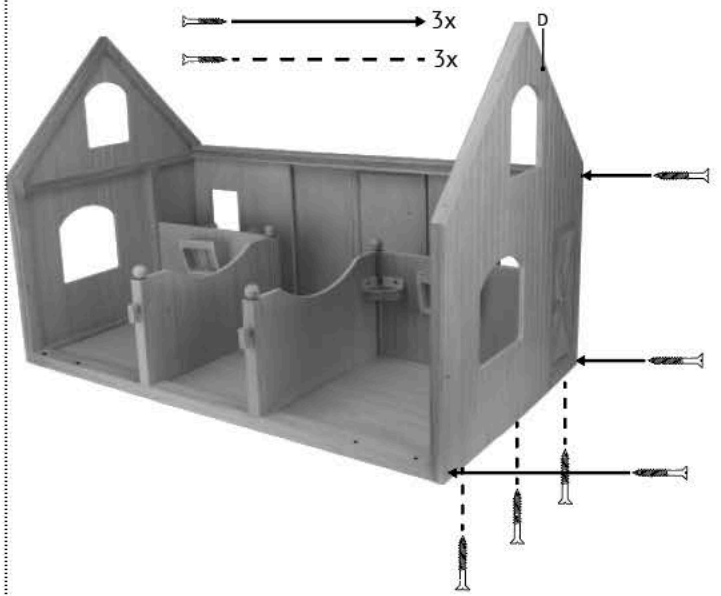
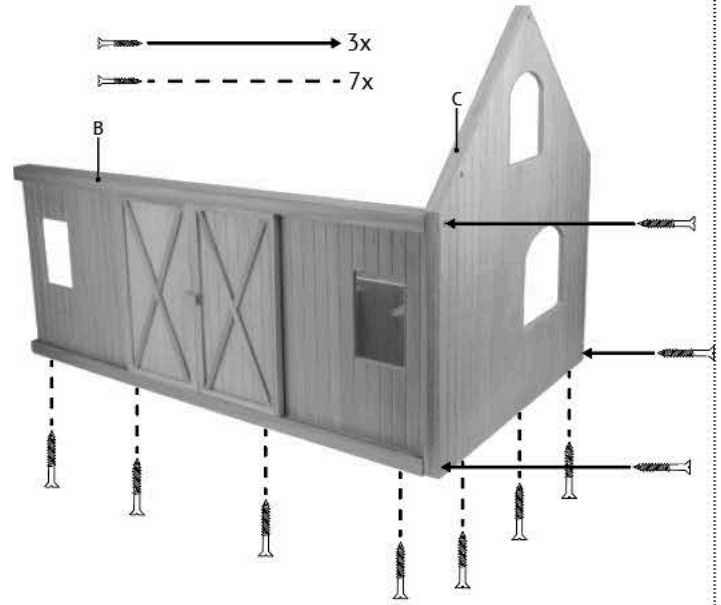
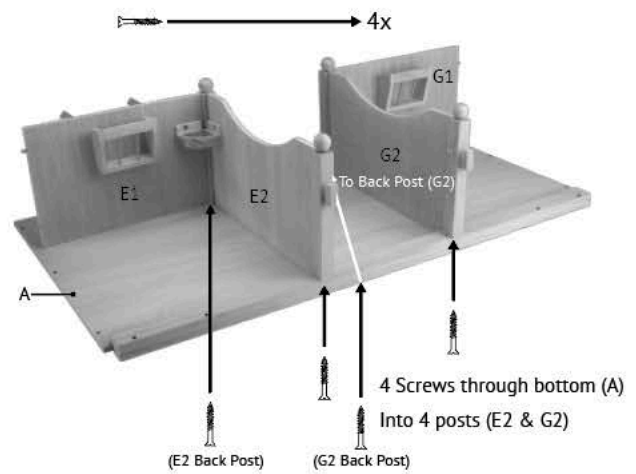
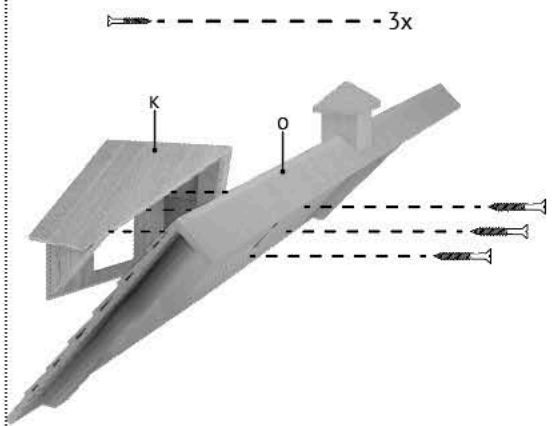
Sort Screws By Size



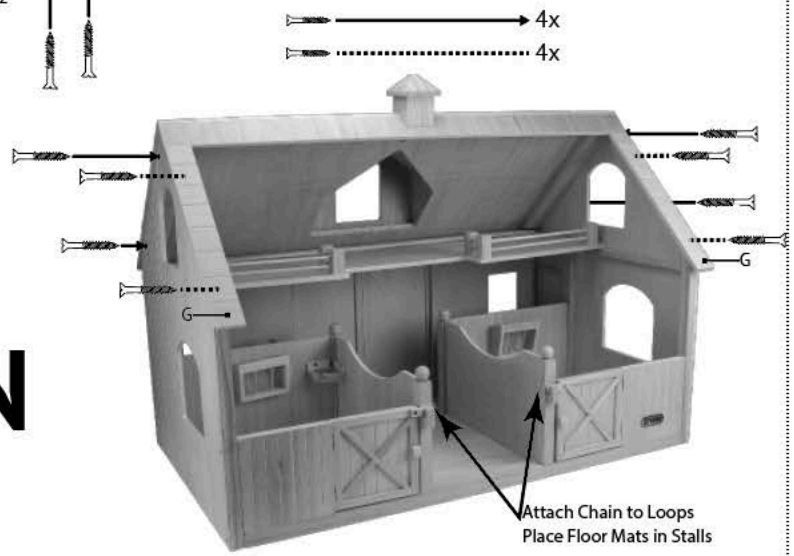
WARNING: Assembly should be done by an adult or under adult supervision.
ASSEMBLY: The screws and joints must be correctly placed and tightened with a Phillips head screw driver before allowing children to play with the toy. Sort your screws by size and follow the line code to make assembly easy!
CAUTION: Check the equipment regularly for loose screws & joints. If the loose screws and joints are not fixed before use, the toy may cause injury. Check the equipment for wear and tear. Do not use if broken or damaged. Give your screws a quarter turn every year or so to insure proper fitting as wood expands and contracts throughout the year.

©2019 BREYER ANIMAL CREATIONS®
 Division of Reeves International, Inc.,
 14 Industrial Road, Pequannock, NJ 07440 USA

WARNING:
CHOKING HAZARD - Small parts.
Not for children under 3 years.
 Made and printed in China



Top Floor (L) slides into top groove of Back Wall (B)
Top Floor (L) screws down on both ends.



Screw Guide

Large Screw —————→

Medium Screw - - - - -

Small Screw

Tiny Screw ————

22pcs 19pcs 15pcs 5pcs

DELUXE WOOD BARN

For TRADITIONAL® SERIES (1:9)
and FREEDOM SERIES (1:12) HORSES