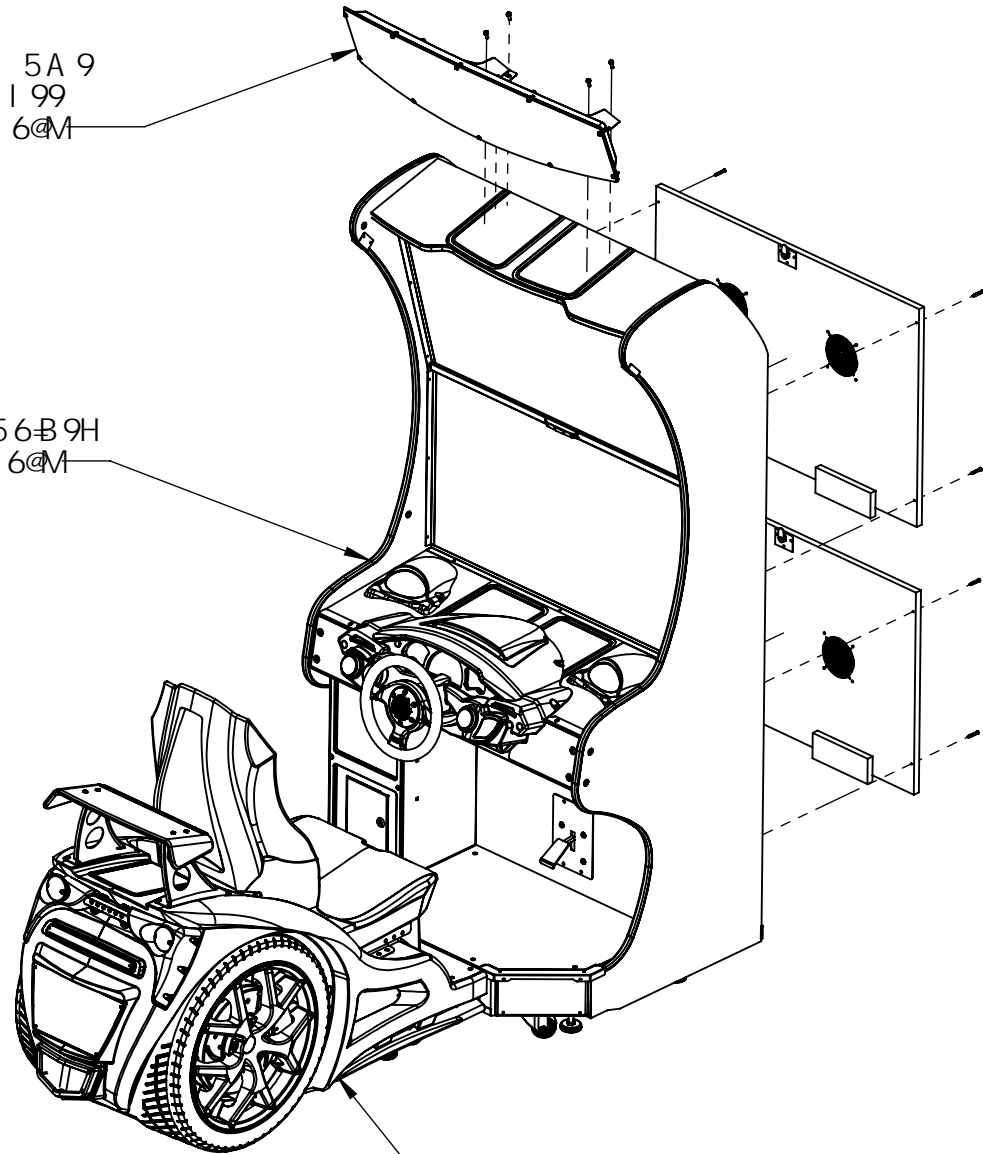


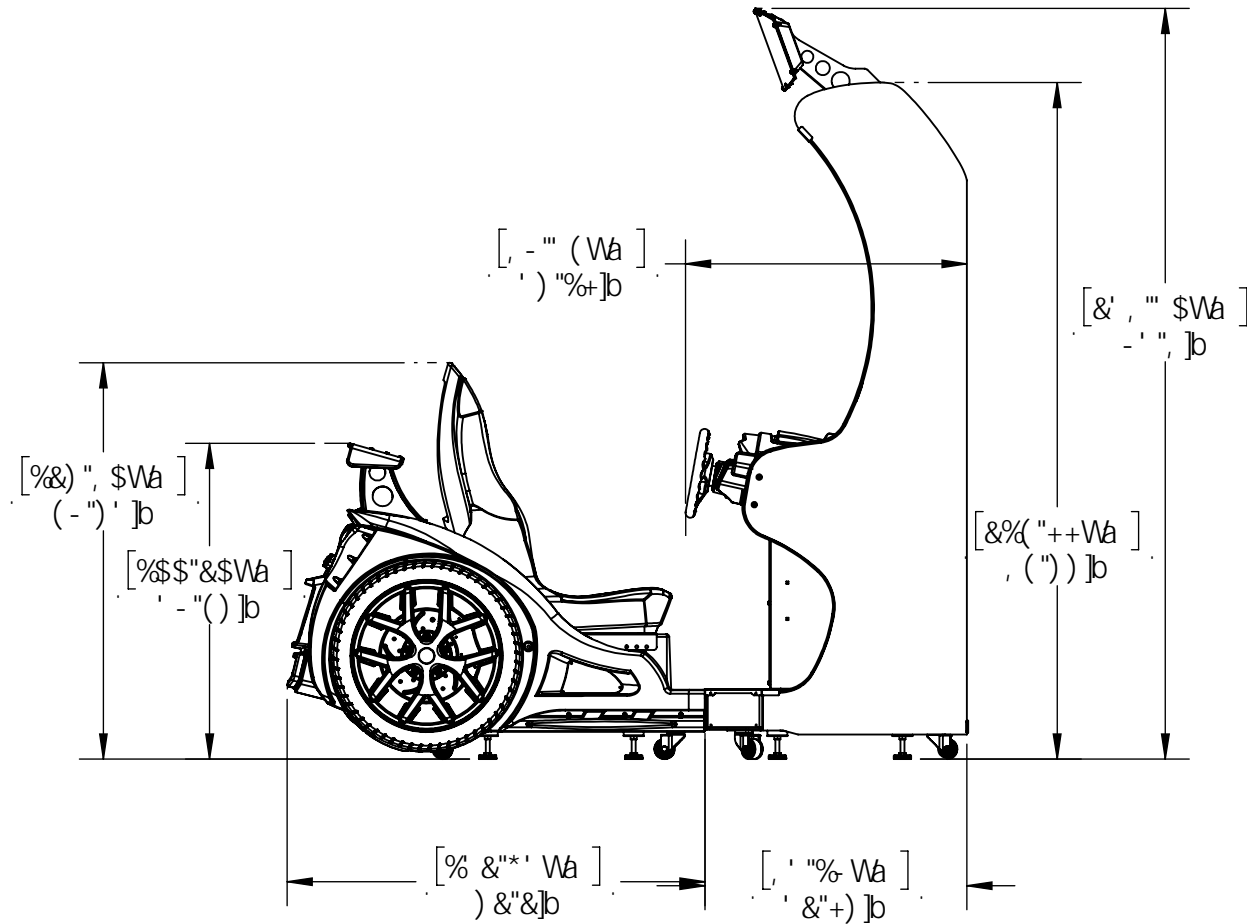
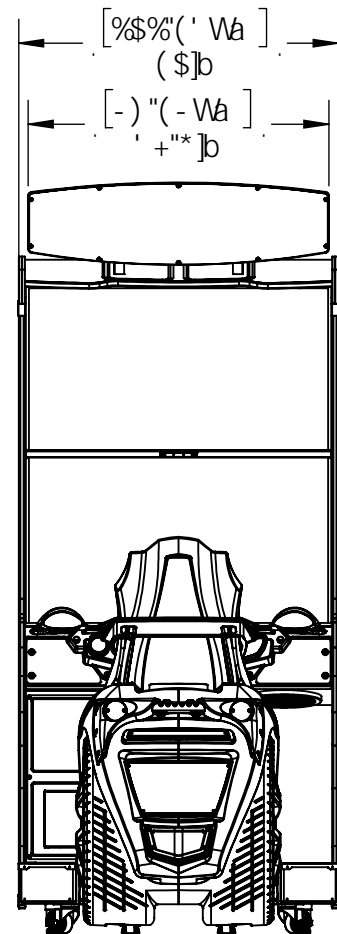
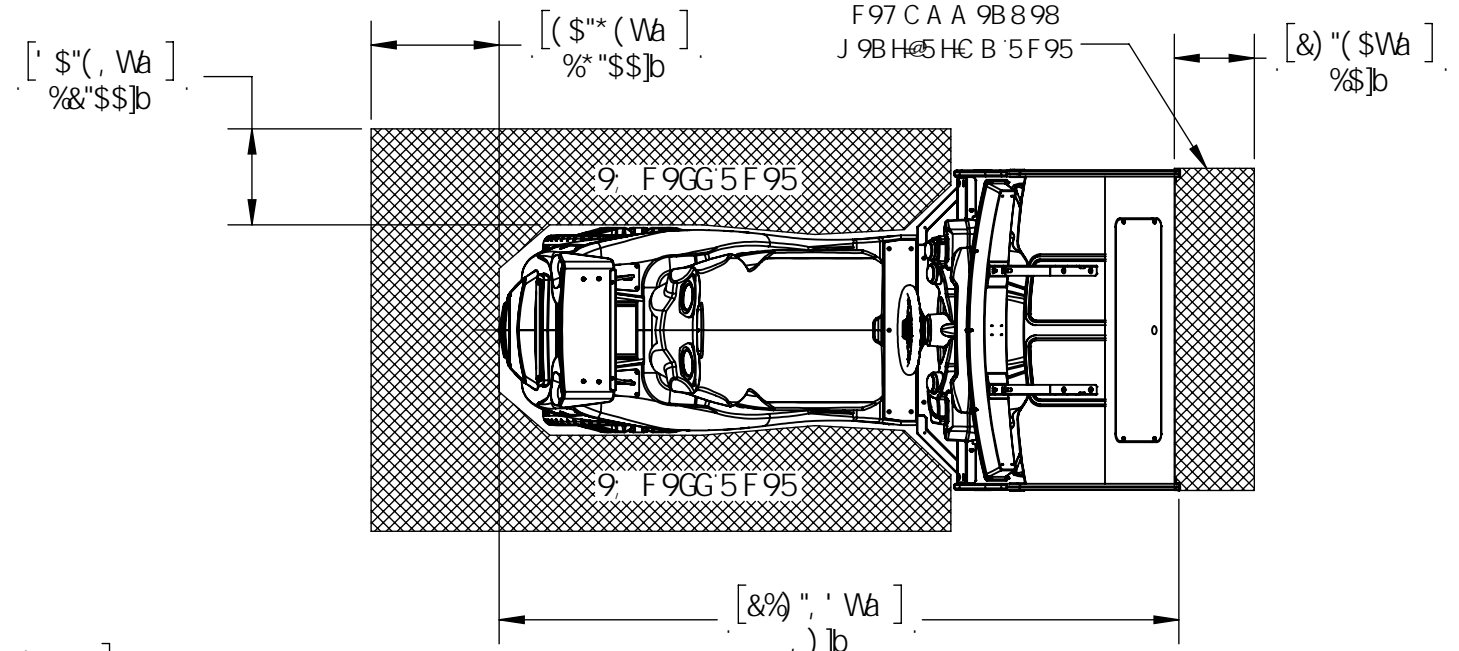
: 5GH5B8 : I F € I G (' " 8 I 5 @ G 7 F 9 9 B
 8 A 9 B G € B G ,) " @ L (\$ " K L ' - (" <
 K 9 > < H) \$ \$ @ G ! Y g j a U H X ' .

GB : @ : 5 A 9
 A 5 F E I 9 9
 5 G G 9 A 6 @ M

A 5 B 7 5 6 B 9 H
 5 G G 9 A 6 @ M



G 9 5 H D 9 8 9 G H 5 @
 5 G G 9 A 6 @ M



:5GH5B8:I F€I G(' ""GB; @; 5A 9'G9H D

%F9A CJ 9@K 9F'F95F'8CCF"

&F9A CJ 9I DD9F'F95F'8CCF"

'L1 BD57? GB; @; 5A 9A 5FE I 99'5B8' I G9'G DD@98 <5F8K 5F9

D-9F7 9H 9HC D'GF-9'897 5@HC '577 9GG<-889B '<C @G"

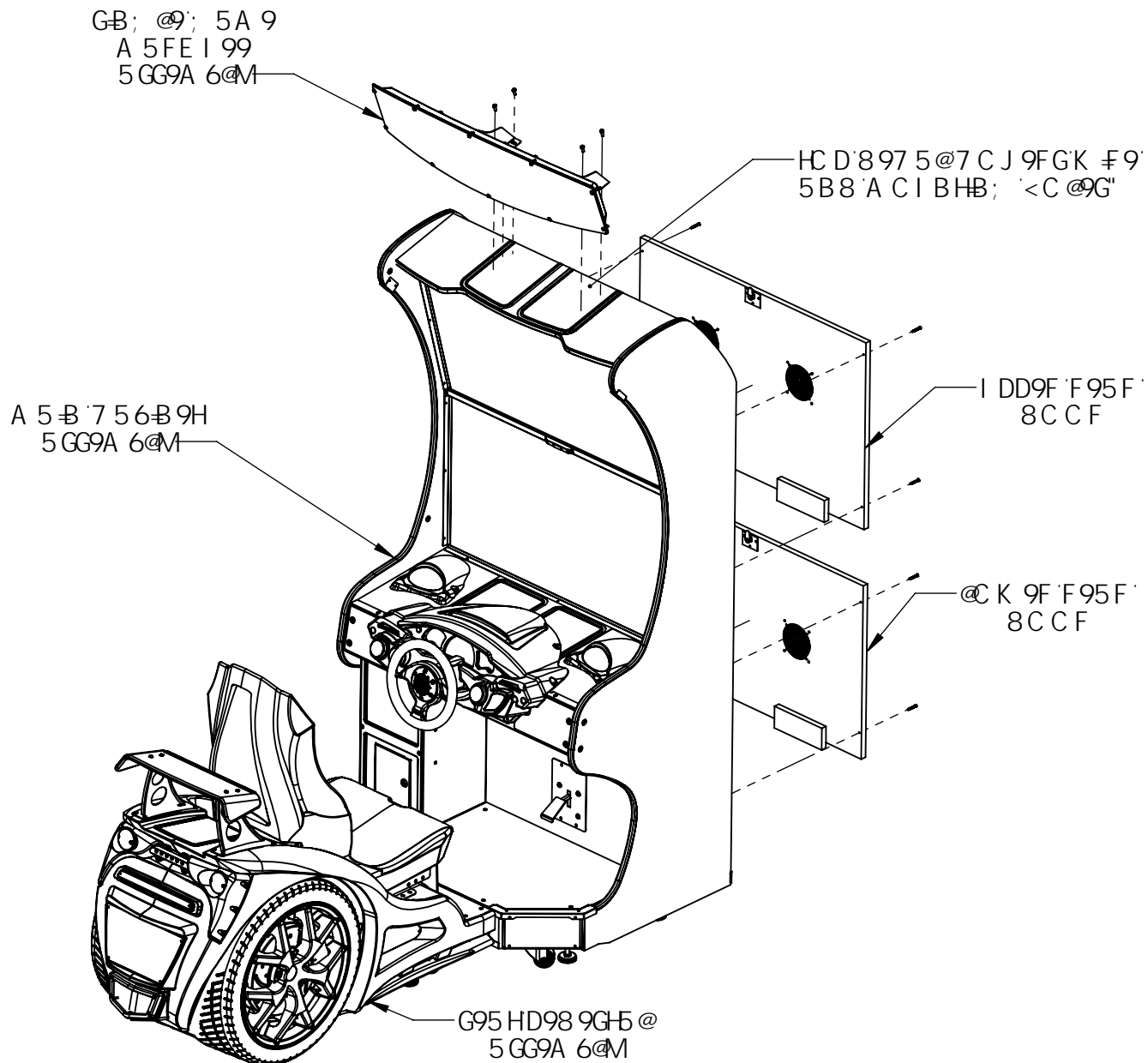
(LFI B'DCK 9F'756@HkFCI; <'<C @-B'HCDC: '756-B9H5B8'7CBB97H

BG89'756-B9HHC 'A 5HB; '7CBB97HCF"

)L'G9H@; '9J 9@FG-B'k'9'8CK B'DC G#HB"

*L'F9H FB'k'9'F95F'8CCFGHC'k'9'F'CD9F5HB; 'DC G#HB"

+L'D@; 'B'57'7CF8:FCA '657?'C:; 5A 9'5B8'DCK 9F'CB"



:5GH5B8:I F€I G(' ""8CI 6@; 5A 9'G9H D

%F9A CJ 9@K 9F'F95F'8CCFG"

&F9A CJ 9I DD9F'F95F'8CCFG"

'L1 BD57?'8CI 6@; 5A 9A 5FE I 99'5B8' I G9'G DD@98 <5F8K 5F9

""D-9F7 9H 9HC D'GF-9'897 5@HC '577 9GG<-889B '<C @G"

(LFI B'DCK 9F'756@HkFCI; <'F9GD97HJ 9<C @G-B'957<'756-B9H

""HC D'5B8'7CBB97HG9D9F5H9@M-BG89'k'9'F# <H5B8 '@: H756-B9H

""HC'k'9A 5HB; '7CBB97HCFG"

)L'BG#5@897CF5HJ 9'G89'5F7<9GHC'k'9'@: H5B8'F# <HC I H9F'756-B9H

""K 5@G I G-B; ; # 9'G7F9K G#@7?'5B8: @HK 5G<9FGDFCJ #98"

)L'5@ B; 5A 9GB9LHHC '957<'C'k'9'F'B'89GF98 '@75HC B'5B8'

""G9H@; '9J 9@FG-B'k'9'8CK B'DC G#HB"

*L'F9H FB'k'9'F95F'8CCFGHC'k'9'F'CD9F5HB; 'DC G#HB"

+L'D@; 'B'57'7CF8G:FCA '657?'C: '957<; 5A 9'5B8'DCK 9F'CB"

