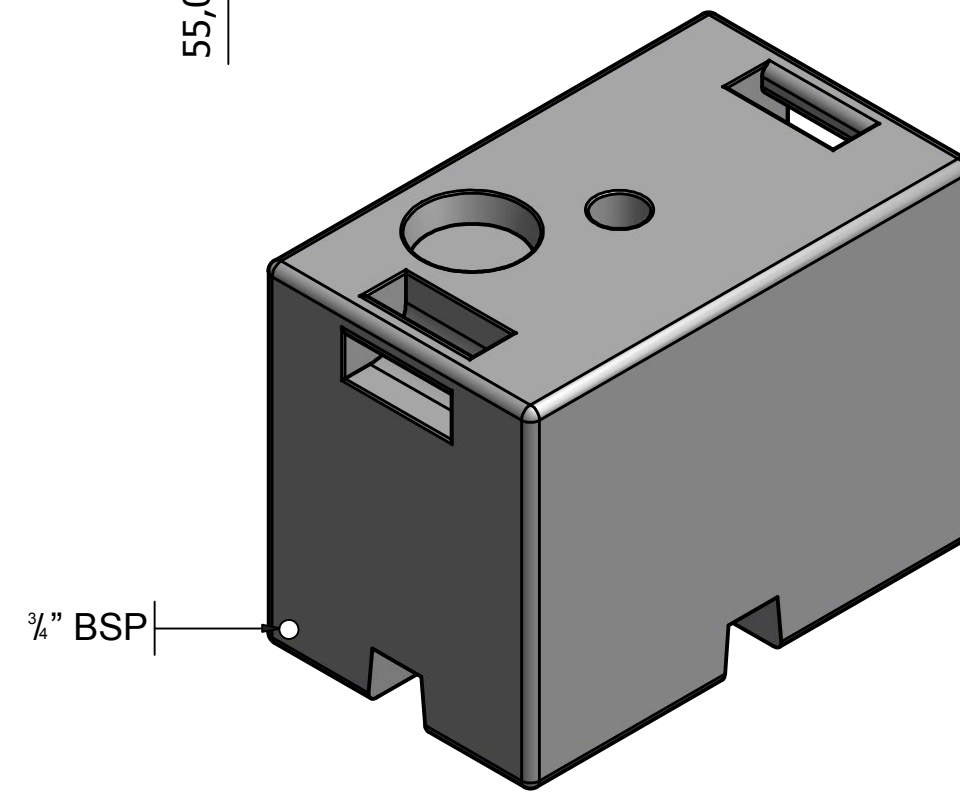
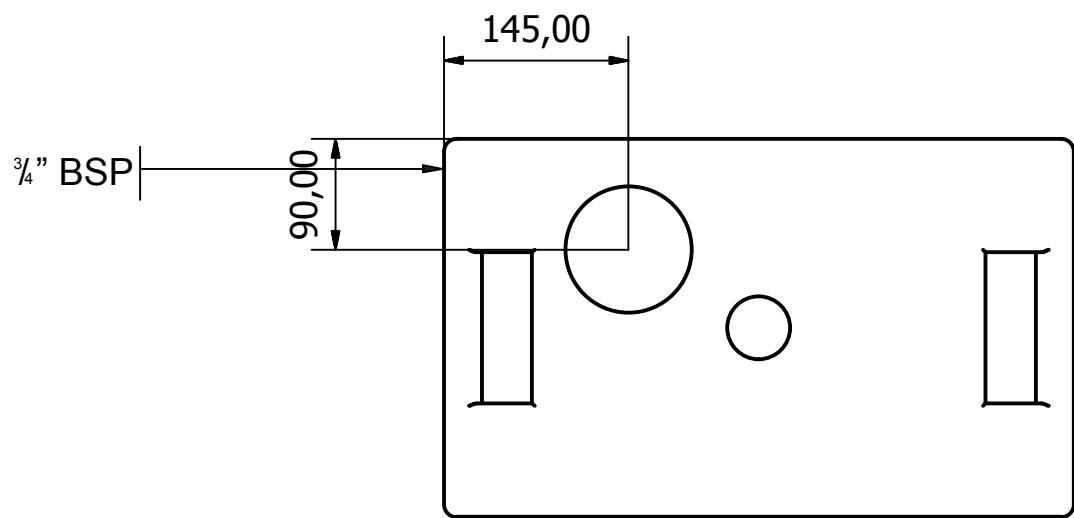
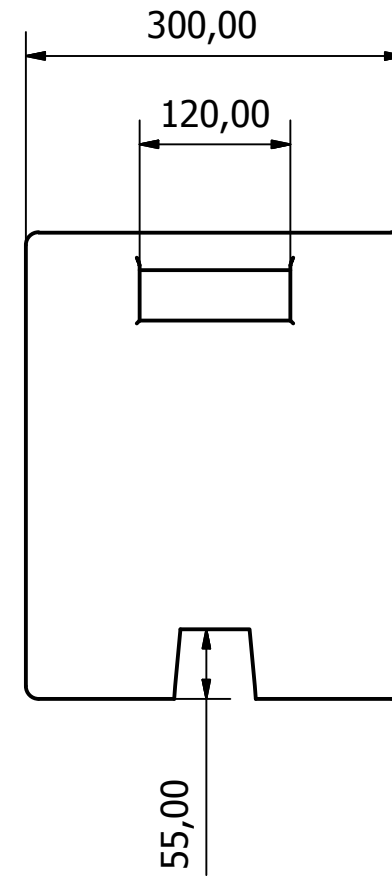
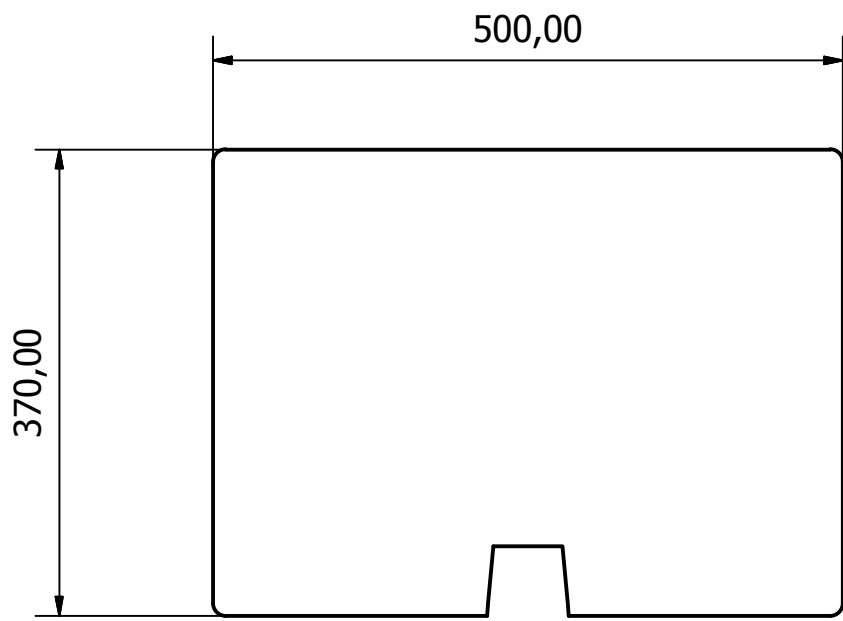


DO NOT SCALE UNLESS STATED - IF IN DOUBT ASK

Material	
Qty Req'd	



Stock Code	Volume (L)	Lid "	Outlet "
50M-NA-2	50	2	3/4

DIMENSIONS ARE ALL IN MM UNLESS OTHERWISE STATED.  
ALL TOLERANCES +/- 1MM UNLESS STATED.

CUSTOMER:		
PROJECT: 50 Litre Marquee Weight		
DRAWN DATE: 21/12/2012	DESIGNED BY:	CHECKED BY:
SHEET 1 OF 1	REV A	DRAWING NO:

