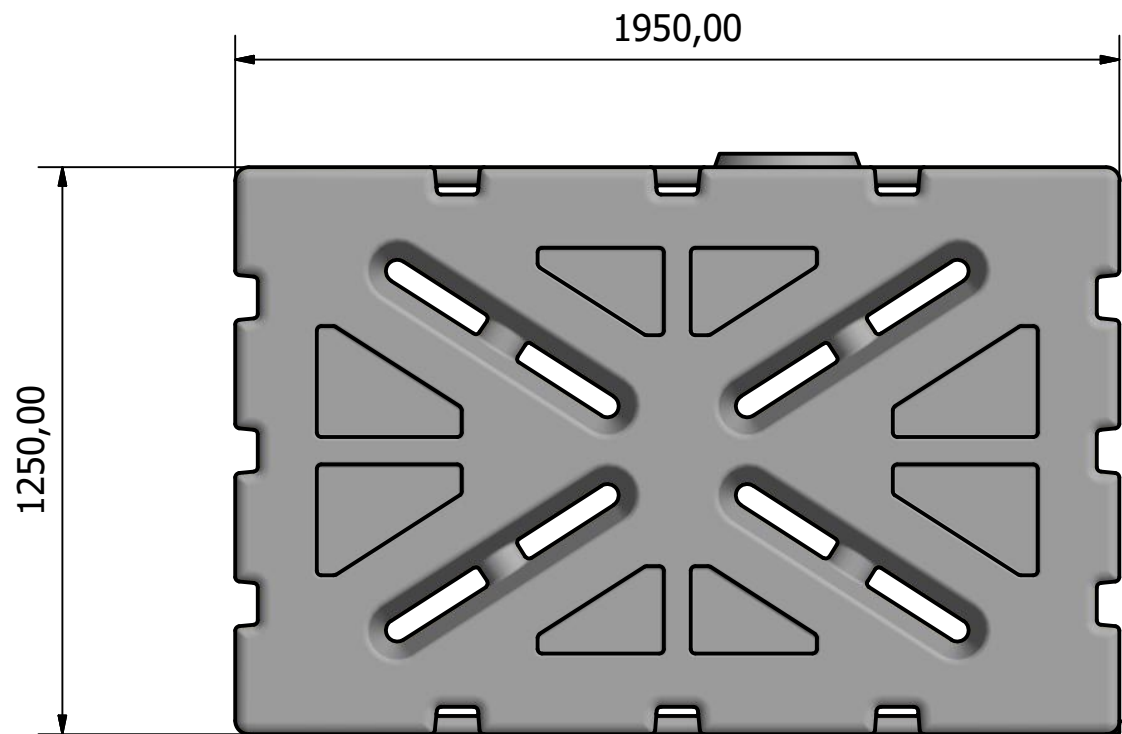
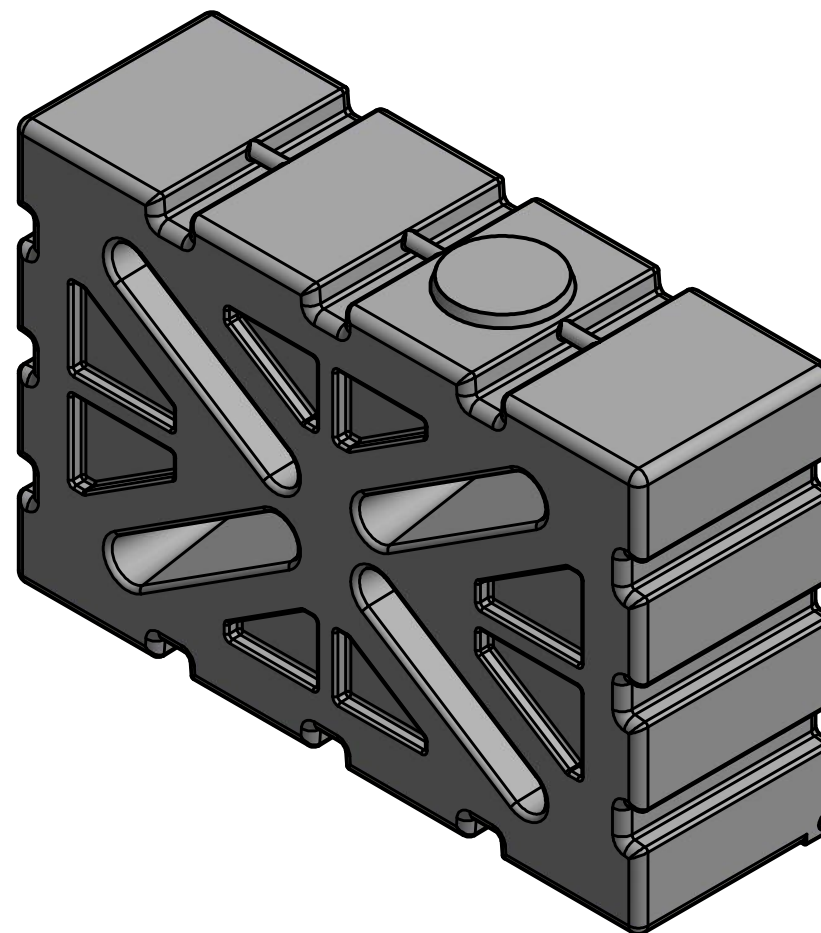
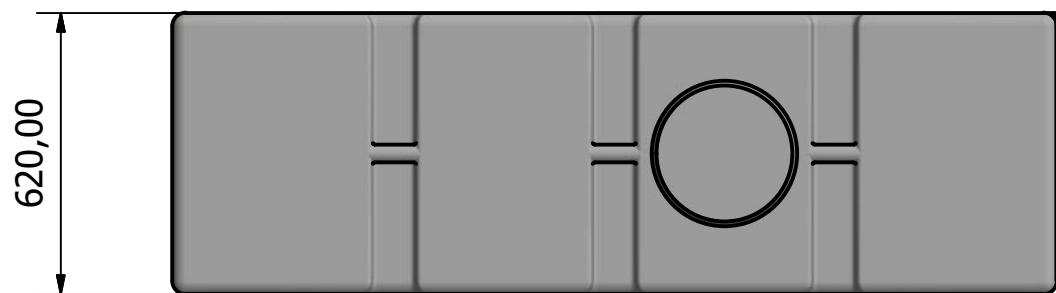


DO NOT SCALE UNLESS STATED - IF IN DOUBT ASK

Material	MDPE
Qty Req'd	



Outlet

Outlet

WYDALE PLASTICS LTD

Cathole Bridge Rd, Crewkerne, Somerset, TA18 8RF
Tel: 01460 73212 Fax: 01460 77348

THIS DRAWING AND THE INFORMATION THEREON IS THE SOLE PROPERTY OF WYDALE PLASTICS LTD AND SHALL NOT BE COPIED OR REPRODUCED WITHOUT THE CONSENT OF WYDALE PLASTICS LTD.

DIMENSIONS ARE ALL IN MM UNLESS OTHERWISE STATED.
ALL TOLERANCES +/- 1MM UNLESS STATED.

CUSTOMER: Wydale Plastics Ltd

PROJECT: 1250 Litre

DRAWN DATE:
09/01/2014

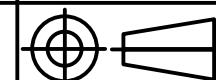
DESIGNED BY:
joshv

CHECKED BY:

SHEET 1 OF 1

REV
A

DRAWING NO:



REV	ZONE	DESCRIPTION	DATE