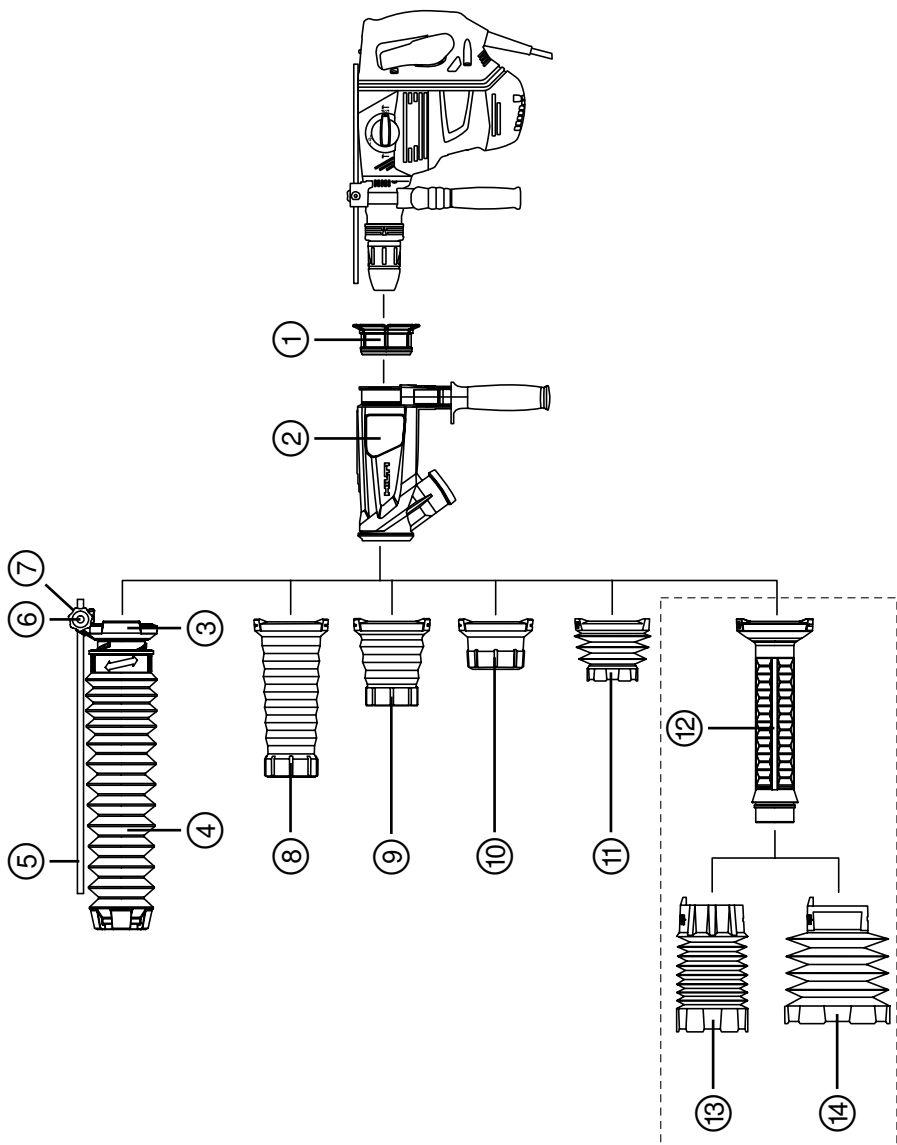


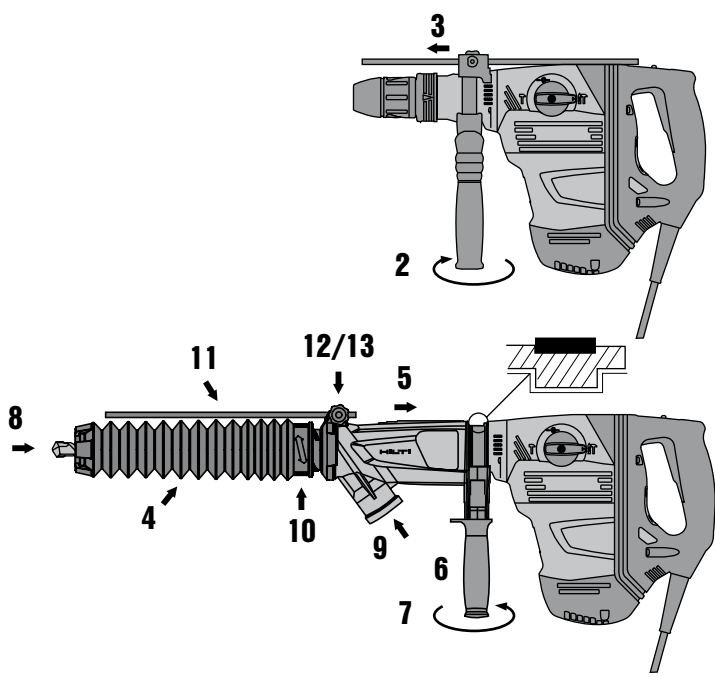
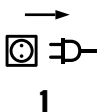
HILTI

TE DRS-Y

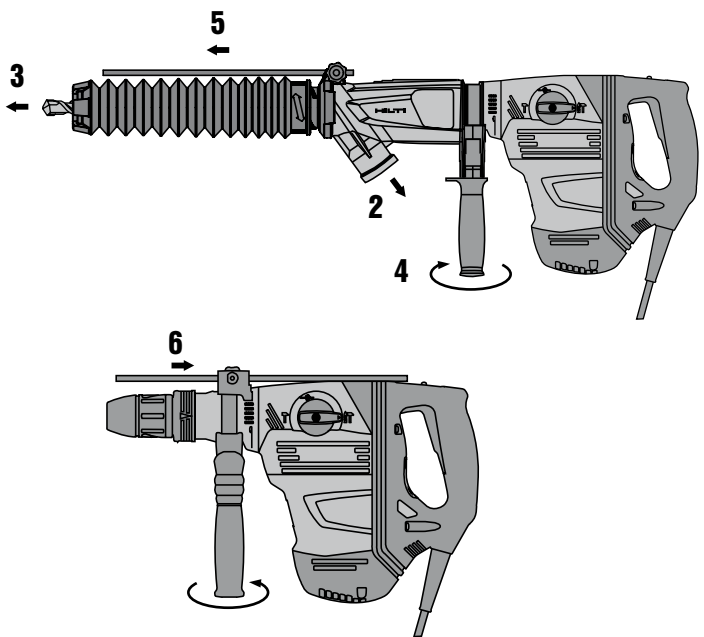
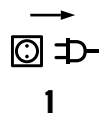
Bedienungsanleitung	de
Operating instructions	en
Mode d'emploi	fr
Istruzioni d'uso	it
Manual de instrucciones	es
Manual de instruções	pt
Gebruiksaanwijzing	nl
Brugsanvisning	da
Bruksanvisning	sv
Bruksanvisning	no
Käyttöohje	fi
Οδηγίες χρήσεως	el
Használati utasítás	hu
Instrukcja obsługi	pl
Инструкция по эксплуатации	ru
Návod k obsluze	cs
Návod na obsluhu	sk
Upute za uporabu	hr
Navodila za uporabo	sl
Ръководство за обслужване	bg
Instrucțiuni de utilizare	ro
Kullanma Talimatı	tr
دليل الاستعمال	ar
Lietošanas pamācība	lv
Instrukcija	lt
Kasutusjuhend	et
ІНСТРУКЦІЯ З ЕКСПЛУАТАЦІЇ	uk
Пайдалану бойынша басшылық	kk
取扱説明書	ja
사용설명서	ko
操作説明書	zh
操作说明书	cn

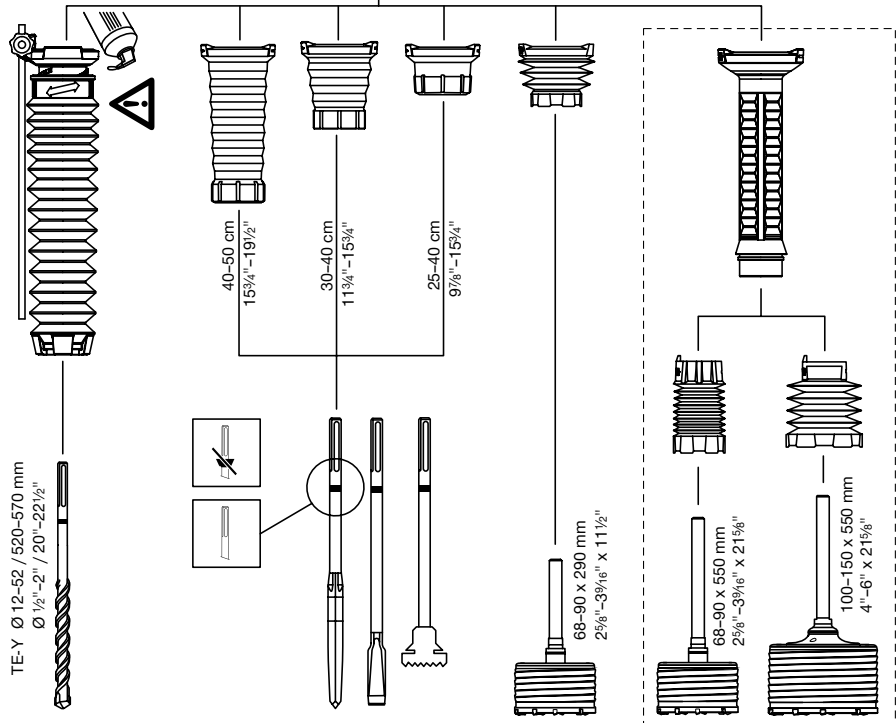


2



3

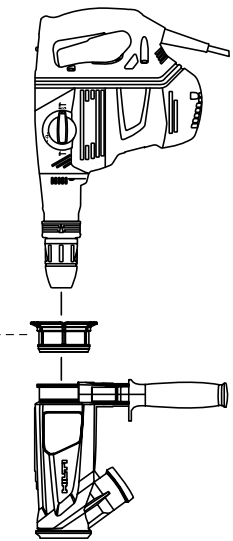




5 **TE 70-ATC**
Corporation, Scten, LI

⚠

<p>TE 50</p> <p>TE 60</p> <p>TE 70 01-02</p> <p>TE 70 03</p> <p>TE 80</p>	<p>TE 50</p> <p>TE 60</p> <p>TE 70 01-02</p> <p>TE 70 03</p> <p>TE 80</p>
---	---



5

⚠

TE 70-ATC 03

Model - Registered Patent of Inlet, Corporation, Scten, LI

Serial number see INSTRUCTIONS

230 V ~ 50-60Hz 1300W 6.9A

Iv: 0-350 /min

ORIGINAL OPERATING INSTRUCTIONS

TE DRS-Y dust modules

en

It is essential that the operating instructions are read before the appliance is operated for the first time.

Always keep these operating instructions together with the appliance.

Ensure that the operating instructions are with the appliance when it is given to other persons.

Contents	Page
1 General information	8
2 Description	9
3 Technical data	9
4 Safety instructions	10
5 Before use	11
6 Operation	12
7 Care and maintenance	13
8 Troubleshooting	13
9 Disposal	14
10 Manufacturer's warranty - tools	14

1 These numbers refer to the corresponding illustrations. The illustrations can be found on the fold-out cover pages. Keep these pages open while studying the operating instructions.

In these operating instructions the designation "the module" always refers to the TE DRS-Y dust removal module.

TE DRS-Y parts and operating controls **1**

- 1 Adapter
- 2 Suction unit with side grip
- 3 Connector
- 4 Bellows 12-52
- 5 Depth gauge
- 6 Star knob
- 7 Nut
- 8 Suction head, long
- 9 Suction head, medium
- 10 Suction head, short
- 11 68-90/ 290 mm bellows

Optional

- 12 Suction tube
- 13 68-90/550 mm bellows
- 14 100-150/ 550 mm bellows

1 General information

1.1 Safety notices and their meaning

DANGER

Draws attention to imminent danger that will lead to serious bodily injury or fatality.

WARNING

Draws attention to a potentially dangerous situation that could lead to serious personal injury or fatality.

CAUTION

Draws attention to a potentially dangerous situation that could lead to slight personal injury or damage to the equipment or other property.

NOTE

Draws attention to an instruction or other useful information.

1.2 Explanation of the pictograms and other information

Warning signs



General warning

Obligation signs



Wear breathing protection.



Wear protective gloves.



Wear safety shoes.

Symbols



Read the operating instructions before use.



Return waste material for recycling.

Location of identification data on the module

The type designation is shown on the appliance. Always refer to this information when contacting our representative or service center.

Type:

Generation: 01

Serial no.:

en

2 Description

2.1 Use of the product as directed

The TE DRS-Y dust removal module is an accessory for the Hilti TE 50, TE 60, TE 70 and TE 80 combihammers. The dust removal module can be attached to the power tool quickly and easily, i.e. to the combihammer in use. In order to avoid the risk of injury, use the dust removal module only in conjunction with the Hilti combihammers indicated in fig. 4.

The dust removal module is intended for professional use. The dust removal module may be operated, serviced and repaired only by authorized, trained personnel. This personnel must be informed of any particular hazards that may be encountered.

The dust removal module and the power tool may present hazards when used incorrectly by untrained personnel or when used not as directed.

Use the dust removal module only in conjunction with a vacuum cleaner recommended by Hilti.

Do not use the system to suck up water.

Do not use the dust removal module to pick up explosive substances or glowing, flammable, burning and aggressive dusts or liquids (e.g. magnesium or aluminum dust, gasoline, solvents, acids, coolants and lubricants).

In order to avoid electrostatic effects, a vacuum cleaner equipped with an antistatic hose should be used.

The working environment may be as follows: construction site, workshop, renovation, conversion or new construction.

Working on materials hazardous to the health (e.g. asbestos) is not permissible.

Tampering with or modification of the module is not permissible.

2.2 Items supplied

- 1 Suction unit with side grip
- 1 68-90/ 290 mm bellows
- 1 Suction head, short
- 1 Suction head, medium
- 1 Suction head, long
- 1 Hilti toolbox
- 1 Operating instructions
- 1 Adapter
- 1 Connector
- 1 Bellows 12-52
- 1 Depth gauge
- 1 Star knob
- 1 Nut

2.3 Optional

- 1 Suction tube
- 1 68-90/550 mm bellows
- 1 100-150/ 550 mm bellows

3 Technical data

Right of technical changes reserved.

Module	68-90/ 290 mm bellows	68-90/ 550 mm bellows	100-150/ 550 mm bellows	Bellows 12-52
Weight	660 g	880 g	920 g	1,000 g
Dimensions (L x W x H)	310 mm x 96 mm x 290 mm (12" x 3 7/8" x 11 1/2")	575 mm x 96 mm x 290 mm (22 5/8" x 3 7/8" x 11 1/2")	575 mm x 100 mm x 290 mm (22 5/8" x 4" x 11 1/2")	400 mm x Ø 96 mm (15 3/4" x Ø 3 7/8")

Module	68-90/ 290 mm bel- lows	68-90/ 550 mm bel- lows	100-150/ 550 mm bellows	Bellows 12-52
Type of drill bit or chisel	TE-Y-BK	TE-Y-BK	TE-Y-BK	TE-Y hammer drill bits
Drill bit diameter	68...90 mm (2 ⁵ / ₈ "-3 ¹ / ₁₆ ")	68...90 mm (2 ⁵ / ₈ "-3 ¹ / ₁₆ ")	100...150 mm (4"-6")	12...52 mm (1/2"-2")
Bit / chisel lengths	290 mm (11 ¹ / ₂ ")	550 mm (21 ⁵ / ₈ ")	550 mm (21 ⁵ / ₈ ")	520...570 mm (20"...22 ¹ / ₂ ")
Application	Drilling with HBK core bits	Drilling with HBK core bits	Drilling with HBK core bits	Hammer drilling
Power tool	TE 60, TE 70, TE 80	TE 60, TE 70, TE 80	TE 60, TE 70, TE 80	TE 50, TE 60, TE 70, TE 80

Module	Suction head, short	Suction head, medium	Suction head, long
Weight	660 g	710 g	760 g
Dimensions (L x W x H)	65 mm x \varnothing 96 mm (2 ¹ / ₂ " x 3 ⁷ / ₈ ")	130 mm x \varnothing 96 mm (5 ¹ / ₂ " x 3 ⁷ / ₈ ")	205 mm x \varnothing 96 mm (8 ¹ / ₂ " x 3 ⁷ / ₈ ")
Type of drill bit or chisel	Pointed and flat chisels, bushing tools	Pointed and flat chisels, bushing tools	Pointed and flat chisels, bushing tools
Bit / chisel lengths	250...400 mm (9 ⁷ / ₈ "-15 ³ / ₄ ")	300...400 mm (11 ³ / ₄ "-15 ³ / ₄ ")	400...500 mm (15 ³ / ₄ "-19 ¹ / ₂ ")
Application	Chiseling	Chiseling	Chiseling
Power tool	TE 50, TE 60, TE 70, TE 80	TE 50, TE 60, TE 70, TE 80	TE 50, TE 60, TE 70, TE 80

NOTE

Triaxial vibration values

Vibration information	TE 50-AVR(2)	TE 60-ATC/AVR(3)	TE 70-ATC(2)	TE 80-ATC/AVR(1)
Drilling without the TE DRS-Y	11.4 m/s ²	7.5 m/s ²	22 m/s ²	8.8 m/s ²
Drilling with the TE DRS-Y	10.8 m/s ²	6.1 m/s ²	15.5 m/s ²	8.2 m/s ²

4 Safety instructions

WARNING! Read all instructions! Observe the safety information and the operating instructions for the Hilti electric tool used. Failure to observe the instructions could lead to serious personal injury. KEEP THESE INSTRUCTIONS IN A SAFE PLACE.

4.1 Electrical safety



- Avoid body contact with earthed or grounded surfaces, such as pipes, radiators, ranges and refrigerators.** There is an increased risk of electric shock if your body is earthed or grounded.
- Hold power tool by insulated gripping surfaces, when performing an operation where the cutting accessory may contact hidden wiring or its own**

cord. Cutting accessory contacting a "live" wire may make exposed metal parts of the power tool "live" and could give the operator an electric shock.

- Check beforehand (e.g. using a metal detector) to ensure there are no concealed electric cables or gas and water pipes present the area in which you are working.** External metal parts of the appliance may become live, for example, when an electric cable is damaged accidentally. This presents a serious risk of electric shock.

4.2 Personal safety

- Stay alert, watch what you are doing and use common sense when operating a power tool. Do not use a power tool while you are tired or under the influence of drugs, alcohol or medication.** A moment of inattention while operating power tools may result in serious personal injury.

- b) **Use personal protective equipment. Always wear eye protection.** Protective equipment such as dust mask, non-skid safety shoes, hard hat, or hearing protection used for appropriate conditions will reduce personal injuries.
- c) **Keep children and bystanders away while operating a power tool.** Distractions can cause you to lose control.

4.3 Power tool use and care

- a) **Use the power tool, accessories and tool bits etc. in accordance with these instructions, taking into account the working conditions and the work to be performed.** Use of the power tool for operations different from those intended could result in a hazardous situation.
- b) **Store idle power tools out of the reach of children and do not allow persons unfamiliar with the power tool or these instructions to operate the power tool.** Power tools are dangerous in the hands of untrained users.
- c) **Disconnect the plug from the power source and/or the battery pack from the power tool before making any adjustments, changing accessories, or storing power tools.** Such preventive safety measures reduce the risk of starting the power tool accidentally.
- d) **Always hold the machine securely with both hands on the grips provided. Keep the grips dry, clean and free from oil and grease.**
- e) **Remove any adjusting key or wrench before turning the power tool on.** A wrench or a key left attached to a rotating part of the power tool may result in personal injury.
- f) **Maintain power tools. Check for misalignment or binding of moving parts, breakage of parts and any other condition that may affect the power tool's operation. If damaged, have the power tool repaired before use.** Many accidents are caused by poorly maintained power tools.

4.4 Work area safety

Ensure that the workplace is well ventilated. Exposure to dust at a poorly ventilated workplace may result in damage to the health.

4.5 Dusts

This appliance collects a significant percentage of the dust produced, but not all of it.

- a) **WARNING: Some types of dust created by working on materials contain chemicals known to cause cancer, birth defects or other reproductive harm, or serious and permanent respiratory or other injury.** Some examples of these chemicals are: lead from lead-based paints, crystalline silica from bricks, concrete and other masonry products and natural stone, arsenic and chromium from chemically-treated lumber. Your risk from these exposures varies, depending on how often you do this type of work. **To reduce exposure to these chemicals, the operator and bystanders should work in a well-ventilated area using approved safety equipment such as respiratory protection appropriate for the type of dust generated, and designed to filter out microscopic particles. Direct dust away from face and body. Avoid prolonged contact with dust. Wear protective clothing and wash exposed areas with soap and water.** Allowing dust to get into your mouth, nose, eyes, or to remain on your skin may promote absorption of harmful chemicals.
- b) **Before beginning the work, check to determine the hazard classification of the dust produced. Use an industrial vacuum cleaner of the appropriate officially approved safety class and in compliance with your local dust hazard control regulations.**
- c) **If the power tool is operated without dust extraction, you must wear at least a lightweight form of breathing protection. CAUTION Dust is injurious to health and can provoke respiratory illness, skin disease and allergic reactions.**

en

5 Before use



CAUTION

Check that the function selector switch is in the correct position.

5.1 Fitting the TE DRS-Y dust removal module 2

NOTE

For optimum suction performance with chisels, the length of chisel projecting from the suction head must not exceed 145 mm but must be at least 30 cm.

NOTE

Ensure that the outer surfaces of the gearing section neck where the side handle is fitted are free from oil and grease. If parts of the TE DRS-Y dust removal module are oily and/or greasy when fitted, the TE DRS-Y dust removal module and side handle may rotate out of position while the power tool is in use. Accordingly, take care to ensure that the suction unit at the side handle clamping band is not oily or greasy. Only parts that are free of grease guarantee adequate friction between the side handle and the power tool. Use a cleaning cloth to remove any oil or grease from the outer surfaces of the gearing section neck where the side handle is attached.

CAUTION

Only the pointed chisels, flat chisels, bushing tools, percussion core bits and hammer drill bits shown in fig. 4 may be used.

Remove any drill bit or chisel from the power tool before attaching the dust removal module.

1. Disconnect the mains plug from the power outlet.
2. Turn the side handle counterclockwise to release it from the power tool.
3. Remove the side handle from the power tool.
4. Select the correct dust removal system components in accordance with fig. 4 and fit the parts to the suction unit.
5. Slide the assembled system, complete with the side handle, over the chuck and onto the neck of the gearing section, i.e. to the side handle position. Use the adapter for the TE 50, TE 60, TE 70(2) and TE 80.
6. Rotate the suction unit and side handle into the desired position.
7. Secure the side handle by tightening the grip so that it cannot rotate out of position.
8. Before using the drill bit or chisel, grease the connection end with the Hilti grease specified for this purpose. Insert the drill bit or chisel in the chuck. Please refer to the operating instructions for the power tool for instructions on how to fit the drill bit or chisel.

9. Connect the vacuum cleaner to the dust removal module.

NOTE Only for hammer drilling:

10. Adjust the bellows so that the tip of the drill bit projects about 15 mm.
11. Fit the depth gauge.
12. Adjust the depth gauge to the desired drilling depth.
13. Tighten the star knob to secure the depth gauge so that it can't slip.

5.2 Detaching the dust removal module 3

**CAUTION**

Wear protective gloves when changing insert tools as the insert tools get hot during use.

1. Disconnect the mains plug from the power outlet.
2. Disconnect the vacuum cleaner from the dust removal module.
3. Remove the drill bit or chisel from the chuck.
4. Release the side handle by turning the grip.
5. Pull the complete dust removal module away from the power tool.
6. Fit the side handle to the power tool.

6 Operation

**CAUTION**

Observe the operating instructions for the Hilti power tool used. Use the appliance only in conjunction with the power tools listed in fig. 4. Failure to observe this point may present a risk of personal injury.

CAUTION

Take care to ensure that the module does not overheat. The material from which it is made will melt at a temperature of over 80°C.

CAUTION

Do not hold the power tool by the suction head or suction hose while in use.

CAUTION

Check that the function selector switch is in the correct position.

CAUTION

Do not use the suction unit or the suction tube/dust module extraction heads to carry the system or hold it by these parts when in use. Use the grips provided for that purpose.

6.1 Operation

NOTE

To prevent electrostatic effects, use an antistatic vacuum cleaner.

NOTE

When a dust removal module is fitted, the vacuum cleaner must always be switched on while the power tool is in use.

NOTE

Empty the vacuum cleaner at regular intervals.

1. Connect the vacuum cleaner and switch it on.
2. Switch on the power tool.

7 Care and maintenance

CAUTION

Unplug the supply cord from the power outlet or remove the battery from cordless tools.

7.1 Caring for the module

CAUTION

Do not use oil, grease or cleaning agents to clean the inside surfaces of parts.

Clean off any dirt adhering to parts and check that the suction opening in the suction unit is unobstructed. Clean the module with cold water at regular intervals. Clean the inside surface of the adapter at regular intervals to remove grease and dust deposits.

7.2 Maintenance

Check all external parts of the module for damage at regular intervals and check that all controls operate faultlessly. Do not use the module if parts are damaged or if the controls do not function faultlessly.

en

8 Troubleshooting

Fault	Possible cause	Remedy
Excessive dust emission.	The vacuum cleaner is full.	Empty the vacuum cleaner.
	The suction head / bellows are defective.	Replace the suction head or bellows.
	The suction channel is blocked.	Clean the suction channel.
	The protruding length of drill bit / chisel is greater than 145 mm.	Use a shorter drill bit / chisel or the long suction head.
	The suction hose from the vacuum cleaner was not pushed in fully.	Push the suction hose from the vacuum cleaner fully into the unit.
	Core residues are blocking the extraction holes.	Remove core and drillings.
	The suction head / bellows are worn.	Replace the suction head and / or bellows.
	Distance between percussion core bit and suction tube too wide.	Use only Hilti percussion core bits.
Dust module falls off.	The dust module had not been fitted correctly.	Fit the dust module according to the operating instructions. Main unit must be fitted in the intended position.
	Main unit, power tool neck are oily and greasy.	Remove oil and grease from the unit and outer surfaces with a cleaning cloth.
	Side grip not fully tightened.	Fully tighten the side grip.
	Side grip broken.	Fit a new side grip.
	The adapter was forgotten.	Fit the adapter.
Dust module can not be removed.	Side grip clamping band not sufficiently opened.	Undo the grip further, i.e. the clamping band opens more.
The industrial vacuum cleaner makes a permanent beeping sound.	The dimples on the bellows are worn.	Replace the bellows.
Side grip not fitted to unit.	Substantial force used to separate the side grip from the main unit.	Fit both parts together. Check the fitting direction of the side grip.
The suction tube length cannot be adjusted.	Dust or dirt on the threaded section of the suction head.	Apply a little grease or oil to the surface of the threaded section.
Suction tube: The bellows comes off the threaded section.	The bellows was rotated beyond the end stop.	Screw the bellows on to the threaded section.

9 Disposal



en

Most of the materials from which Hilti tools or appliances are manufactured can be recycled. The materials must be correctly separated before they can be recycled. In many countries, Hilti has already made arrangements for taking back old tools and appliances for recycling. Ask Hilti customer service or your Hilti representative for further information.

Disposal of drilling dust

The drilling dust collected must be disposed of in accordance with the applicable national regulations.

10 Manufacturer's warranty - tools

Hilti warrants that the tool supplied is free of defects in material and workmanship. This warranty is valid so long as the tool is operated and handled correctly, cleaned and serviced properly and in accordance with the Hilti Operating Instructions, and the technical system is maintained. This means that only original Hilti consumables, components and spare parts may be used in the tool.

This warranty provides the free-of-charge repair or replacement of defective parts only over the entire lifespan of the tool. Parts requiring repair or replacement as a result of normal wear and tear are not covered by this warranty.

Additional claims are excluded, unless stringent national regulations prohibit such exclusion. In particular, Hilti is not obligated for direct, indirect, incidental or consequential damages, losses or expenses in connection with, or by reason of, the use of, or inability to use the tool for any purpose. Implied warranties of merchantability or fitness for a particular purpose are specifically excluded.

For repair or replacement, send the tool or related parts immediately upon discovery of the defect to the address of the local Hilti marketing organization provided.

This constitutes Hilti's entire obligation with regard to warranty and supersedes all prior or contemporaneous comments and oral or written agreements concerning warranties.



Hilti Corporation

LI-9494 Schaan

Tel.: +423/234 21 11

Fax: +423/234 29 65

www.hilti.com

Hilti = registered trademark of Hilti Corp., Schaan

W 4265 | 0113 | 00-Pos. 1 | 1

Printed in Germany © 2013

Right of technical and programme changes reserved S. E. & O.

2055779 / A2



2055779