



SB 4-A22

English

1 Information about the documentation

1.1 About this documentation

- Read this documentation before initial operation or use. This is a prerequisite for safe, trouble-free handling and use of the product.
- Observe the safety instructions and warnings in this documentation and on the product.
- Always keep the operating instructions with the product and make sure that the operating instructions are with the product when it is given to other persons.

1.2 Explanation of symbols used

1.2.1 Warnings

Warnings alert persons to hazards that occur when handling or using the product. The following signal words are used:

DANGER

DANGER !

- ▶ Draws attention to imminent danger that will lead to serious personal injury or fatality.

WARNING

WARNING !

- ▶ Draws attention to a potential threat of danger that can lead to serious injury or fatality.





CAUTION

CAUTION !

- ▶ Draws attention to a potentially dangerous situation that could lead to slight personal injury or damage to the equipment or other property.





1.2.2 Symbols in the documentation

The following symbols are used in this document:

	Read the operating instructions before use.
	Instructions for use and other useful information
	Dealing with recyclable materials
	Do not dispose of electric equipment and batteries as household waste

1.2.3 Symbols in the illustrations

The following symbols are used in illustrations:

	These numbers refer to the corresponding illustrations found at the beginning of these operating instructions
3	The numbering reflects the sequence of operations shown in the illustrations and may deviate from the steps described in the text
	Item reference numbers are used in the overview illustrations and refer to the numbers used in the product overview section
	This symbol is intended to draw special attention to certain points when handling the product.
	Wireless data transfer

1.3 Product information

products are designed for professional users and only trained, authorized personnel are permitted to operate, service and maintain the products. This personnel must be specifically informed about the possible hazards. The product and its ancillary equipment can present hazards if used incorrectly by untrained personnel or if used not in accordance with the intended use.

The type designation and serial number are printed on the rating plate.

- ▶ Write down the serial number in the table below. You will be required to state the product details when contacting Hilti Service or your local Hilti organization to inquire about the product.

Product information

Bandsaw	SB 4-A22
Generation:	01
Serial no.:	

1.4 Declaration of conformity

We declare, on our sole responsibility, that the product described here complies with the applicable directives and standards. A copy of the declaration of conformity can be found at the end of this documentation.

The technical documentation is filed here:

Hilti Entwicklungsgesellschaft mbH | Tool Certification | Hiltistrasse 6 | 86916 Kaufering, Germany

2 Safety

2.1 General power tool safety warnings

⚠ WARNING Read all safety warnings, instructions, illustrations and specifications provided with this power tool. Failure to follow all instructions listed below may result in electric shock, fire and/or serious injury. **Save all warnings and instructions for future reference.**

The term "power tool" in the warnings refers to your mains-operated (corded) power tool or battery-operated (cordless) power tool.

Work area safety

- ▶ **Keep work area clean and well lit.** Cluttered or dark areas invite accidents.
- ▶ **Do not operate power tools in explosive atmospheres, such as in the presence of flammable liquids, gases or dust.** Power tools create sparks which may ignite the dust or fumes.
- ▶ **Keep children and bystanders away while operating a power tool.** Distractions can cause you to lose control.

Electrical safety

- ▶ **Power tool plugs must match the outlet. Never modify the plug in any way. Do not use any adapter plugs with earthed (grounded) power tools.** Unmodified plugs and matching outlets will reduce risk of electric shock.
- ▶ **Avoid body contact with earthed or grounded surfaces, such as pipes, radiators, ranges and refrigerators.** There is an increased risk of electric shock if your body is earthed or grounded.
- ▶ **Do not expose power tools to rain or wet conditions.** Water entering a power tool will increase the risk of electric shock.
- ▶ **Do not abuse the cord. Never use the cord for carrying, pulling or unplugging the power tool. Keep cord away from heat, oil, sharp edges or moving parts.** Damaged or entangled cords increase the risk of electric shock.
- ▶ **When operating a power tool outdoors, use an extension cord suitable for outdoor use.** Use of a cord suitable for outdoor use reduces the risk of electric shock.
- ▶ **If operating a power tool in a damp location is unavoidable, use a residual current device (RCD) protected supply.** Use of an RCD reduces the risk of electric shock.

Personal safety

- ▶ **Stay alert, watch what you are doing and use common sense when operating a power tool. Do not use a power tool while you are tired or under the influence of drugs, alcohol or medication.** A moment of inattention while operating power tools may result in serious personal injury.
- ▶ **Use personal protective equipment. Always wear eye protection.** Protective equipment such as a dust mask, non-skid safety shoes, hard hat or hearing protection used for appropriate conditions will reduce personal injuries.

- ▶ **Prevent unintentional starting.** Ensure the switch is in the off-position before connecting to power source and/or battery pack, picking up or carrying the tool. Carrying power tools with your finger on the switch or energising power tools that have the switch on invites accidents.
- ▶ **Remove any adjusting key or wrench before turning the power tool on.** A wrench or a key left attached to a rotating part of the power tool may result in personal injury.
- ▶ **Do not overreach. Keep proper footing and balance at all times.** This enables better control of the power tool in unexpected situations.
- ▶ **Dress properly. Do not wear loose clothing or jewellery. Keep your hair and clothing away from moving parts.** Loose clothes, jewellery or long hair can be caught in moving parts.
- ▶ **If devices are provided for the connection of dust extraction and collection facilities, ensure these are connected and properly used.** Use of dust collection can reduce dust-related hazards.
- ▶ **Do not let familiarity gained from frequent use of tools allow you to become complacent and ignore tool safety principles.** A careless action can cause severe injury within a fraction of a second.

Power tool use and care

- ▶ **Do not force the power tool. Use the correct power tool for your application.** The correct power tool will do the job better and safer at the rate for which it was designed.
- ▶ **Do not use the power tool if the switch does not turn it on and off.** Any power tool that cannot be controlled with the switch is dangerous and must be repaired.
- ▶ **Disconnect the plug from the power source and/or remove the battery pack, if detachable, from the power tool before making any adjustments, changing accessories, or storing power tools.** Such preventive safety measures reduce the risk of starting the power tool accidentally.
- ▶ **Store idle power tools out of the reach of children and do not allow persons unfamiliar with the power tool or these instructions to operate the power tool.** Power tools are dangerous in the hands of untrained users.
- ▶ **Maintain power tools and accessories. Check for misalignment or binding of moving parts, breakage of parts and any other condition that may affect the power tool's operation. If damaged, have the power tool repaired before use.** Many accidents are caused by poorly maintained power tools.
- ▶ **Keep cutting tools sharp and clean.** Properly maintained cutting tools with sharp cutting edges are less likely to bind and are easier to control.
- ▶ **Use the power tool, accessories and tool bits etc. in accordance with these instructions, taking into account the working conditions and the work to be performed.** Use of the power tool for operations different from those intended could result in a hazardous situation.
- ▶ **Keep handles and grasping surfaces dry, clean and free from oil and grease.** Slippery handles and grasping surfaces do not allow for safe handling and control of the tool in unexpected situations.

Battery tool use and care

- ▶ **Recharge only with the charger specified by the manufacturer.** A charger that is suitable for one type of battery pack may create a risk of fire when used with another battery pack.
- ▶ **Use power tools only with specifically designated battery packs.** Use of any other battery packs may create a risk of injury and fire.
- ▶ **When battery pack is not in use, keep it away from other metal objects, like paper clips, coins, keys, nails, screws or other small metal objects, that can make a connection from one terminal to another.** Shorting the battery terminals together may cause burns or a fire.
- ▶ **Under abusive conditions, liquid may be ejected from the battery; avoid contact. If contact accidentally occurs, flush with water. If liquid contacts eyes, additionally seek medical help.** Liquid ejected from the battery may cause irritation or burns.
- ▶ **Do not use a battery pack or tool that is damaged or modified.** Damaged or modified batteries may exhibit unpredictable behaviour resulting in fire, explosion or risk of injury.
- ▶ **Do not expose a battery pack or tool to fire or excessive temperature.** Exposure to fire or temperature above 265 °F may cause explosion.
- ▶ **Follow all charging instructions and do not charge the battery pack or tool outside the temperature range specified in the instructions.** Charging improperly or at temperatures outside the specified range may damage the battery and increase the risk of fire.

Service

- ▶ **Have your power tool serviced by a qualified repair person using only identical replacement parts.** This will ensure that the safety of the power tool is maintained.
- ▶ **Never service damaged battery packs.** Service of battery packs should only be performed by the manufacturer or authorized service providers.

2.2 Additional safety instructions for saws

Personal safety

- ▶ Keep your hands away from the cutting area and the blade. Keep your second hand on the auxiliary grip or the motor housing. If both hands are holding the saw, they cannot be injured by the saw.
- ▶ Only use the product if it is in perfect working order.
- ▶ Never tamper with or modify the tool in any way.
- ▶ Avoid touching rotating parts – risk of injury!
- ▶ Wear protective gloves also when changing the accessory tool. Touching the accessory tool presents a risk of injury (cuts or burns).
- ▶ Before starting work, check the hazard class of the dust that will be produced when working. Use an industrial vacuum cleaner with an officially approved protection class in compliance with the locally applicable dust protection regulations. Dust from materials such as lead-based paint, certain types of wood and concrete/masonry/stone containing quartz, minerals or metal may be harmful to health.
- ▶ Make sure that the workplace is well ventilated and, where necessary, wear a respirator appropriate for the type of dust generated. Contact with or inhalation of the dust may cause allergic reactions and/or respiratory or other diseases to the operator or bystanders. Material containing asbestos may be handled only by specialists.
- ▶ Blade depth and bevel adjusting locking levers must be tight and secure before making cut. If the blade adjustment mechanism shifts while cutting, it may cause the saw blade to bind and kick back.
- ▶ Adjust the cutting depth to the thickness of the workpiece. Less than a full tooth of the blade should be visible below the workpiece.
- ▶ When ripping, always use a rip fence or straight edge guide. This improves the accuracy of the cut and reduces the chance of the blade binding.
- ▶ Do not reach underneath the workpiece. The guard cannot protect you from the saw below the workpiece.
- ▶ Never hold the piece being cut in your hands or across your leg. Secure the workpiece to a stable support.
- ▶ Always hold the tool with both hands on the grips provided and bring your arms into a position in which they can take up the force of any kickback.
- ▶ Keep the grips clean and dry.
- ▶ Position your body to either side of the blade, but not in line with the blade. The saw may jump back if kickback occurs.
- ▶ If the saw blade binds or sticks, or if the cutting operation has to be interrupted, switch the saw off and hold the saw steady until the saw blade comes to a complete standstill. Never attempt to remove the saw from the workpiece or pull the saw back while the blade is in motion. Kickback may otherwise occur.
- ▶ When restarting the saw in the workpiece, center the saw blade in the kerf and check that saw teeth are not engaged in the material to be cut.
- ▶ Use extra caution when cutting into existing walls or other blind areas. The protruding blade may cut into concealed objects, causing stalling and kickback.

Electrical safety

- ▶ Before beginning the work, check the working area for concealed electric cables or gas and water pipes. External metal parts of the power tool may become live, presenting a risk of electric shock, if the blade inadvertently cuts into a live electric cable.
- ▶ Hold the power tool by the insulated gripping surfaces when performing work in which the accessory tool might come into contact with concealed wiring. If the accessory tool comes into contact with a live wire, metal parts of the power tool can also become live, presenting a risk of electric shock.

Careful handling and use of electric tools

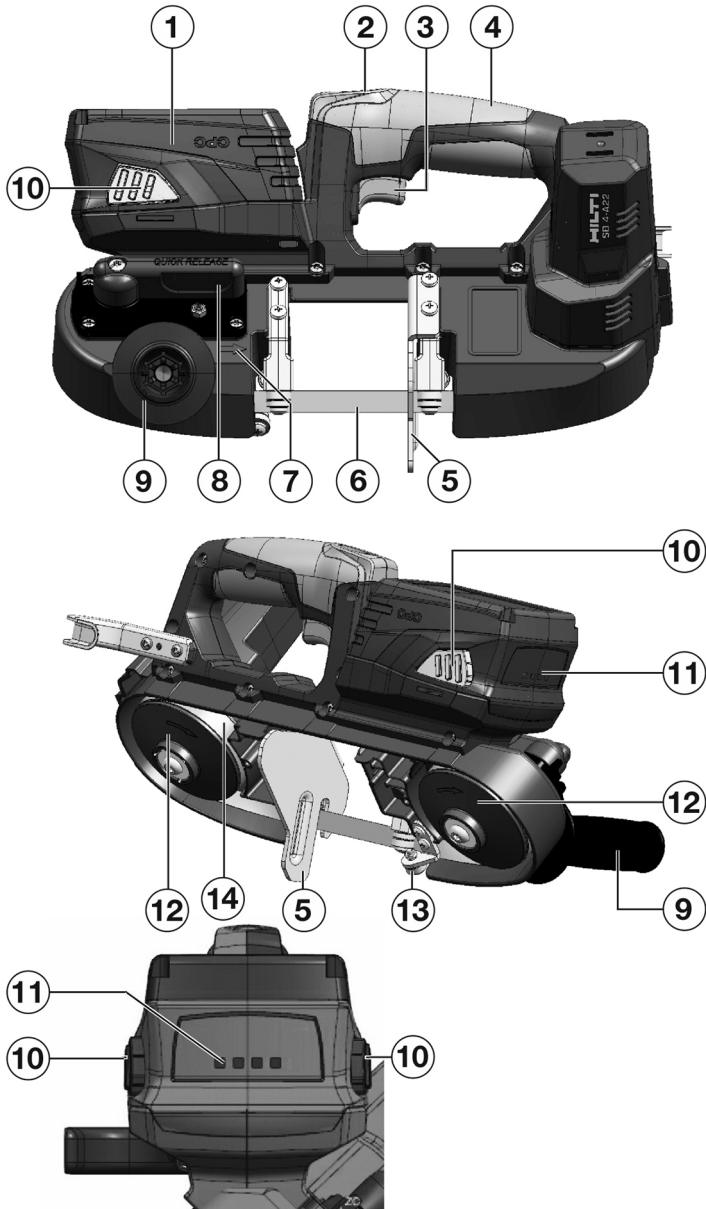
- ▶ Always use only saw blades of the specified dimensions and with an arbor hole of the correct size.
- ▶ Do not use dull/blunt or damaged blades. These cause increased friction and present a high risk of the saw blade binding or kicking back.
- ▶ Never use damaged or incorrect blade washers or bolts.
- ▶ Observe the manufacturer's instructions regarding the handling and storage of saw blades.

2.3 Safety instructions for bandsaws

- ▶ **Hold the power tool by the insulated gripping surfaces, when performing an operation where the cutting accessory may contact hidden wiring** Cutting accessories contacting a "live" wire may make exposed metal parts of the power tool "live" and could give the operator an electric shock.

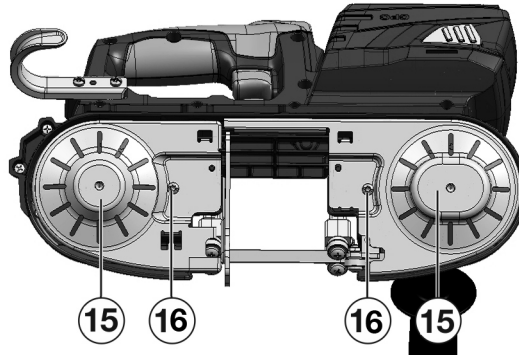
2.4 Battery use and care

- ▶ Observe the special regulations and instructions applicable to the transport, storage and use of Li-ion batteries.
- ▶ Do not expose batteries to high temperatures, direct sunlight or fire.
- ▶ Do not disassemble, crush or incinerate batteries and do not subject them to temperatures over 80 °C.
- ▶ Do not use or charge batteries that have suffered mechanical impact, have been dropped from a height or show signs of damage. In this case, always contact your **Hilti Service**.
- ▶ If the battery is too hot to touch it may be defective. In this case, place the product in a non-flammable location, well away from flammable materials, where it can be kept under observation and allowed to cool down. In this case, always contact your **Hilti Service**.

3 Description**3.1 Product overview**

- ① Battery
- ② Control switch safety lock (switch-on interlock)
- ③ Control switch
- ④ Grip (insulated gripping surface)
- ⑤ Guide
- ⑥ Bandsaw blade
- ⑦ Direction-of-rotation arrow on casing
- ⑧ Lever for tensioning bandsaw blade
- ⑨ Side handle (insulated gripping surface)
- ⑩ Battery release button
- ⑪ Battery state of charge indicator
- ⑫ Roller for bandsaw blade
- ⑬ Blade guide
- ⑭ Rubber ring

3.2 Product overview



- ⑮ Saw blade guard
- ⑯ Saw blade guard fastening screw

3.3 Intended use

The product described is a cordless bandsaw. It is designed for cutting metals and plastics. The product is designed for two-handed operation.

- ▶ Use only **Hilti** Li-ion batteries of the B 22 series with this product.
- ▶ Use only **Hilti** battery chargers of the C4/36 series to charge these batteries.

3.4 Possible misuse

- ▶ Do not use the power tool to cut bricks, concrete, cellular concrete, natural stone or tiles.
- ▶ Do not use the product to cut pipes containing liquids.
- ▶ Do not saw into unknown materials.

3.5 Li-ion battery status indicator

The charge state of the Li-ion battery and malfunctions of the power tool are indicated by the indicator of the Li-ion battery. Press either of the battery release buttons to check the charge state of the Li-Ion battery.

Status	Meaning
4 LEDs light up.	• Charge state: 75 % to 100 %
3 LEDs light up.	• Charge state: 50 % to 75 %
2 LEDs light up.	• Charge state: 25 % to 50 %
1 LED lights up.	• Charge state: 10 % to 25 %
1 LED flashes.	• Charge state: < 10 %
1 LED flashes, the power tool is not in working order.	• The battery has overheated or is completely discharged.
4 LEDs flash, the power tool is not in working order.	• The power tool is overloaded or has overheated.

i Battery charge state cannot be indicated while the control switch is pressed and for 5 seconds after the control switch has been released. If the LEDs of the charge state indicator flash, follow the instructions in the 'Troubleshooting' section.

3.6 Items supplied.

Bandsaw, operating instructions.

i Spare parts, consumables and accessories approved by Hilti for use with the product can be found at your local **Hilti Store** or online at: **www.hilti.group** | USA: **www.hilti.com**

4 Technical data

4.1 Bandsaw

	SB 4-A22
Rated voltage	21.6 V
Ambient temperature	-17 °C ... 60 °C
Weight in accordance with EPTA procedure 01	4 kg
No-load speed	167 m/min
Max. cutting depth	63.5 mm
Bandsaw blade (Length x width x thickness)	733 mm x 12.7 mm x 0.5 mm
Operating temperature	-10 °C ... 50 °C
Storage temperature range (without battery)	-30 °C ... 70 °C

4.2 Battery

Battery operating voltage	21.6 V
Ambient temperature for operation	-17 °C ... 60 °C
Storage temperature	-20 °C ... 40 °C
Battery charging starting temperature	-10 °C ... 45 °C

4.3 Noise information and vibration values determined in accordance with EN 60745

The sound pressure and vibration values given in these instructions were measured in accordance with a standardized test and can be used to compare one power tool with another. They can also be used for a preliminary assessment of exposure. The data given represents the main applications of the electric tool. However, if the power tool is used for different applications, with different accessory tools, or is poorly maintained, the data can vary. This can significantly increase exposure over the total working period. An accurate estimation of exposure should also take into account the times when the tool is switched off, or when it is running but not actually being used for a job. This can significantly reduce exposure over the total working period. Identify additional safety measures to protect the operator from the effects of noise and/or vibration, for example: maintaining the power tool and accessory tools, keeping the hands warm, organization of work patterns.

Noise emission values

	SB 4-A22
Sound power level (L_{WA})	84 dB(A)
Uncertainty for the sound power level (K_{WA})	3 dB(A)
Sound pressure level (L_{pA})	73 dB(A)
Uncertainty for the sound pressure level (K_{pA})	3 dB(A)

Total vibration

	SB 4-A22
Vibration emission value for cutting in metal (ah,CM)	1.5 m/s ²
Uncertainty (K)	1.5 m/s ²
Vibration emission value for cutting in wood (ah,CW)	1.3 m/s ²
Uncertainty (K)	1.5 m/s ²

5 Operation

5.1 Charging the battery

1. Before charging the battery, read the operating instructions for the charger.
2. Make sure that the contacts on the battery and the contacts on the charger are clean and dry.
3. Use an approved charger to charge the battery.

5.2 Inserting the battery

WARNING

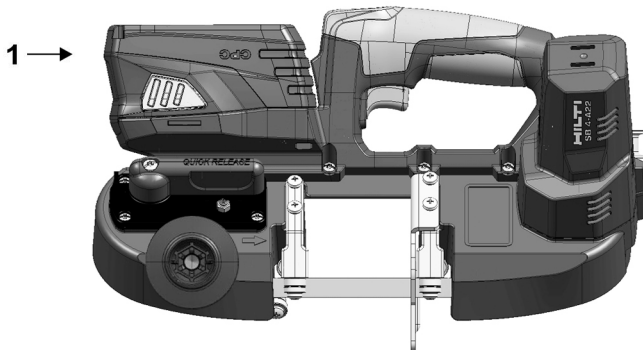
Electrical hazard Risk of short-circuit.

- ▶ Before inserting the battery, check that the battery contacts and the contacts on the saw are free of foreign matter.

WARNING

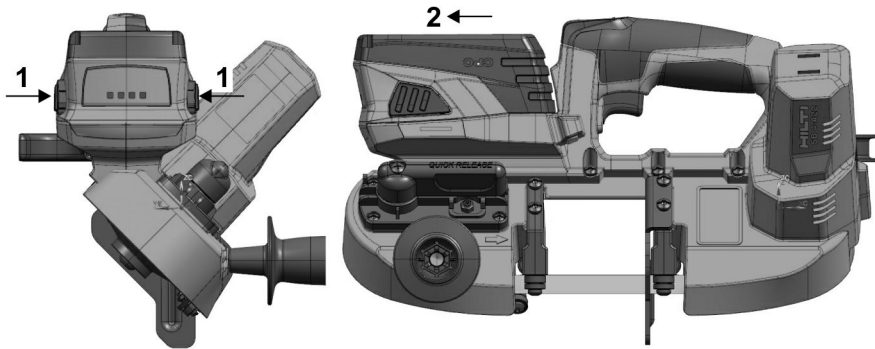
Risk of injury Falling battery hazard.

- ▶ A falling battery could injure you or others. Check that the battery is securely engaged in the bandsaw.



- ▶ From the front, push the battery back into the product until it engages with an audible double click.

5.3 Removing the battery



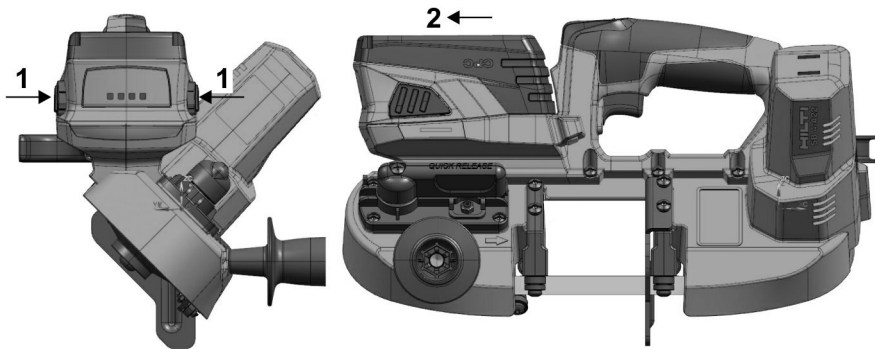
1. Press and hold down the two release buttons.
2. Pull the battery forward and out of the product.

5.4 Safe operation

CAUTION

Risk of injury by inadvertent starting!

- ▶ Before inserting the battery, make sure that the product is switched off.
- ▶ Remove the battery before making any adjustments to the power tool or before changing accessories.



- ▶ Press and hold down the two release buttons.
- ▶ Pull the battery forward and out of the product.

5.5 Inserting/changing the bandsaw blade

WARNING

Risk of damage

An unsuitable or incorrectly fitted bandsaw blade can damage the saw.

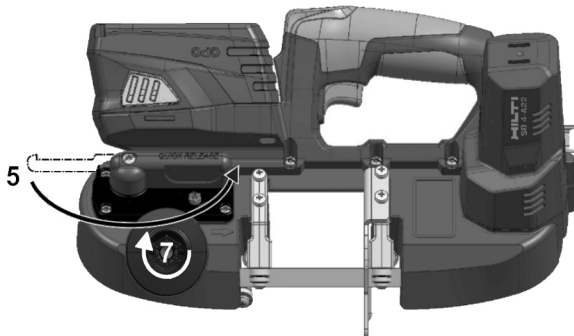
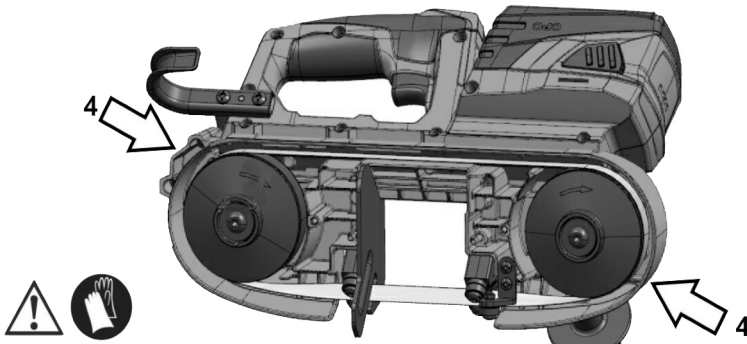
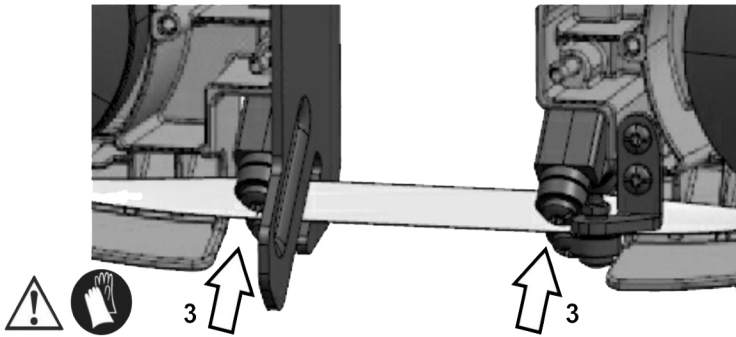
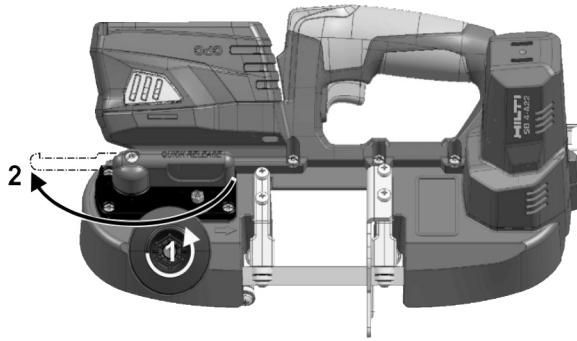
- ▶ Use only bandsaw blades that are suitable for this saw.

WARNING


Risk of injury

by contact with the bandsaw blade.

- ▶ Wear protective gloves when fitting the bandsaw blade.



1. Slacken the 2 screws securing the blade cover and remove the cover.
2. Turn the side handle counterclockwise to unscrew it from the casing of the bandsaw.
3. Swivel the lever in the direction of rotation through its full 180 ° of travel.

 The side handle has to be removed to allow the lever to pivot.

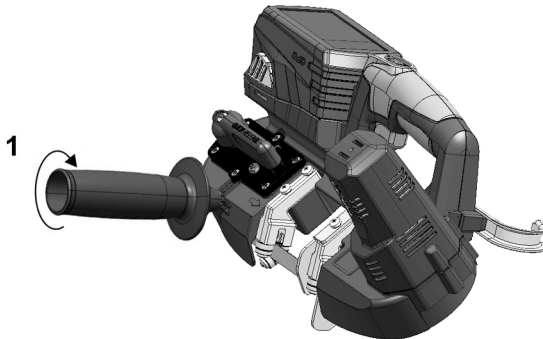
4. Slip the bandsaw blade into the blade guides, one after the other. The back of the blade must touch the bearings in the bottom of the blade guides.
5. Slip the bandsaw blade over both rollers, one after the other.
6. Swivel the lever in the direction of rotation through its full 180 ° of travel.
7. Check that the bandsaw blade tool is correctly guided over both rollers.
8. Reinstall the blade cover.
 - Make sure that the cover is correctly seated.
9. Engage the threads of the side handle and turn it clockwise to screw it into the casing of the bandsaw.
10. Check that the bandsaw blade is correctly seated by repeatedly switching the bandsaw on and then off again.

5.6 Fitting the side handle

CAUTION

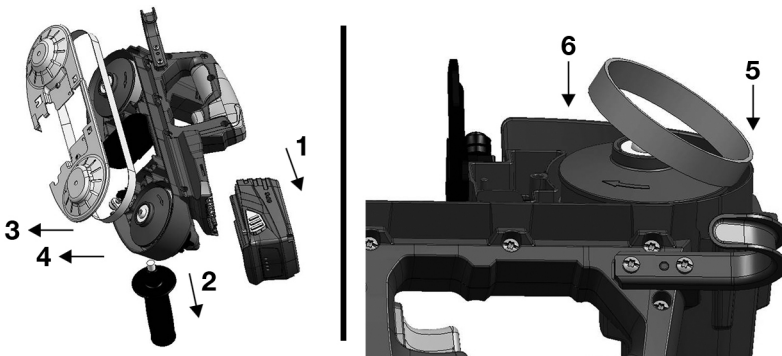
Risk of injury Loss of control over the bandsaw.

- ▶ Use the product only with the side handle fitted. Screw the side handle into the corresponding tapped hole in the casing.



- ▶ Fit the side handle.

5.7 Replacing the rubber ring



1. Remove the battery. → page 10

2. Slacken the 2 screws securing the blade cover and remove the cover.
3. Turn the side handle counterclockwise to unscrew it from the casing of the bandsaw.
4. Pivot the lever in the direction of rotation through its full 180° of travel.



The side handle has to be removed to allow the lever to pivot.

5. Remove the bandsaw blade.
6. Check that the guide grooves are free of foreign matter and clean them if necessary.
7. Remove the rubber ring.
8. Pull the new rubber ring over the roller for the bandsaw blade.
9. Push the rubber ring fully into the guide recess.
 - ↳ The rubber ring lies correctly in the guide recess.
 - ↳ The rubber ring does not lie correctly in the guide recess.
 - Realign the rubber ring.
10. Slip the bandsaw blade into the blade guides, one after the other. The back of the blade must touch the bearings in the bottom of the blade guides.
11. Slip the bandsaw blade over both rollers, one after the other.
12. Pivot the lever in the direction of rotation through its full 180° of travel.
13. Check that the bandsaw blade tool is correctly guided over both rollers.
14. Refit the blade cover.
 - ↳ Make sure that the cover is correctly seated.
15. Screw the side handle into the casing of the bandsaw, turning the side handle clockwise.
16. Check that the bandsaw blade is correctly seated by repeatedly switching the bandsaw on and then off again.

5.8 Switching on

1. Press the safety lock.
2. Press the control switch.



For safety reasons, the control switch cannot be locked and has to be held down while the tool is in operation.

5.9 Switching off

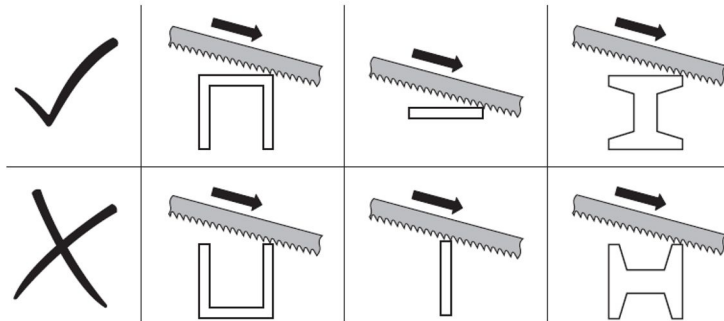


WARNING

Risk of injury by saw run-on.

- Do not lift the product away from the workpiece until it has stopped completely.
 - Wait until the product stops completely before you lay it down.
-
- Release the control switch.

5.10 Alignment, workpiece



- ▶ Bring the workpiece and the bandsaw into alignment.

Incorrect alignment increases the risk of kickback.

6 Care, maintenance, transport and storage

6.1 Care and maintenance

WARNING

Risk of injury with battery inserted !

- ▶ Always remove the battery before carrying out care and maintenance tasks!

Care and maintenance of the tool

- Carefully remove stubborn dirt.
- Clean the air vents carefully with a dry brush.
- Use only a slightly damp cloth to clean the casing. Do not use cleaning agents containing silicone as these can attack the plastic parts.

Care of the Li-ion batteries

- Keep the battery free from oil and grease.
- Use only a slightly damp cloth to clean the casing. Do not use cleaning agents containing silicone as these may attack the plastic parts.
- Avoid ingress of moisture.

Maintenance

- Check all visible parts and controls for signs of damage at regular intervals and make sure that they all function correctly.
- Do not operate the product if signs of damage are found or if parts malfunction. Have it repaired immediately by **Hilti** Service.
- After cleaning and maintenance, fit all guards or protective devices and check that they function correctly.

To help ensure safe and reliable operation, use only genuine Hilti spare parts and consumables. Spare parts, consumables and accessories approved by Hilti for use with the product can be found at your local **Hilti Store** or online at: www.hilti.group | USA: www.hilti.com

6.2 Transport and storage of cordless tools

Transport

CAUTION

Accidental starting during transport !

- ▶ Always transport your products with the batteries removed!
- ▶ Remove the battery.

- ▶ Transport the tool and batteries individually packaged.
- ▶ Never transport batteries in bulk form (loose, unprotected).
- ▶ Check the tool and batteries for damage before use after long periods of transport.

Storage

CAUTION

Accidental damage caused by defective or leaking batteries !

- ▶ Always store your products with the batteries removed!
-
- ▶ Store the tool and batteries in a place that is as cool and dry as possible.
 - ▶ Never store batteries in direct sunlight, on heating units or behind a window pane.
 - ▶ Store the tool and batteries in a place where they cannot be accessed by children or unauthorized persons.
 - ▶ Check the tool and batteries for damage before use after long periods of storage.

7 Troubleshooting

If the trouble you are experiencing is not listed in this table or you are unable to remedy the problem by yourself, please contact **Hilti Service**.

7.1 Bandsaw is not in working order

Malfunction	Possible cause	Action to be taken
No response from the LEDs.	The battery is not correctly inserted.	▶ Push the battery in until it engages with a double click.
	The battery is empty.	▶ Charge the battery.
	Safety lock not pressed.	▶ Press the safety lock.
1 LED flashes.	The battery is discharged.	▶ Change the battery and charge the empty battery.
	The battery is too hot or too cold.	▶ Bring the battery to the recommended working temperature.
4 LEDs flash.	Bandsaw momentarily overloaded.	▶ Release the control switch and then press it again.
	Bandsaw too hot.	▶ Allow the bandsaw to cool down.
	Tool is blocked	▶ Check whether the saw blade is fitted correctly and/or damaged.

7.2 Bandsaw is in working order

Trouble or fault	Possible cause	Action to be taken
The tool does not develop full power.	The control switch is not fully pressed.	▶ Press the control switch fully.
	The battery is discharged.	▶ Change the battery and charge the empty battery.

8 Disposal

Most of the materials from which **Hilti** tools and appliances are manufactured can be recycled. The materials must be correctly separated before they can be recycled. In many countries, your old tools, machines or appliances can be returned to **Hilti** for recycling. Ask **Hilti Service** or your Hilti representative for further information.

Battery disposal

Improper disposal of batteries can result in health hazards from leaking gases or fluids.

- ▶ DO NOT send batteries through the mail!
- ▶ Cover the terminals with a non-conductive material (such as electrical tape) to prevent short circuiting.
- ▶ Dispose of your battery out of the reach of children.

- ▶ Dispose of the battery at your **Hilti Store**, or consult your local governmental garbage disposal or public health and safety resources for disposal instructions.



- ▶ Do not dispose of power tools, electronic equipment or batteries as household waste!

9 RoHS (Restriction of Hazardous Substances)

Click on the link to go to the table of hazardous substances: qr.hilti.com/r5962279.

There is a link to the RoHS table, in the form of a QR code, at the end of this document.

10 Manufacturer's warranty

- ▶ Please contact your local **Hilti** representative if you have questions about the warranty conditions.



Hilti Corporation
Feldkircherstraße 100
9494 Schaan | Liechtenstein

SB 4-A22 (01)

[2016]

2006/42/EC

EN ISO 12100

2011/65/EU

EN 60745-1

2014/30/EU

EN 60745-2-20

2006/66/EC

Schaan, 07/2016

Paolo Luccini

Head of Quality and
Process-Management
BA Electric Tools & Accessories

Tassilo Deinzer

Executive Vice President
BU Electric Tools & Accessories



SB 4-A22



Hilti Corporation
LI-9494 Schaan
Tel.: +423 234 21 11
Fax: +423 234 29 65
www.hilti.group



2164701



Hilti Connect