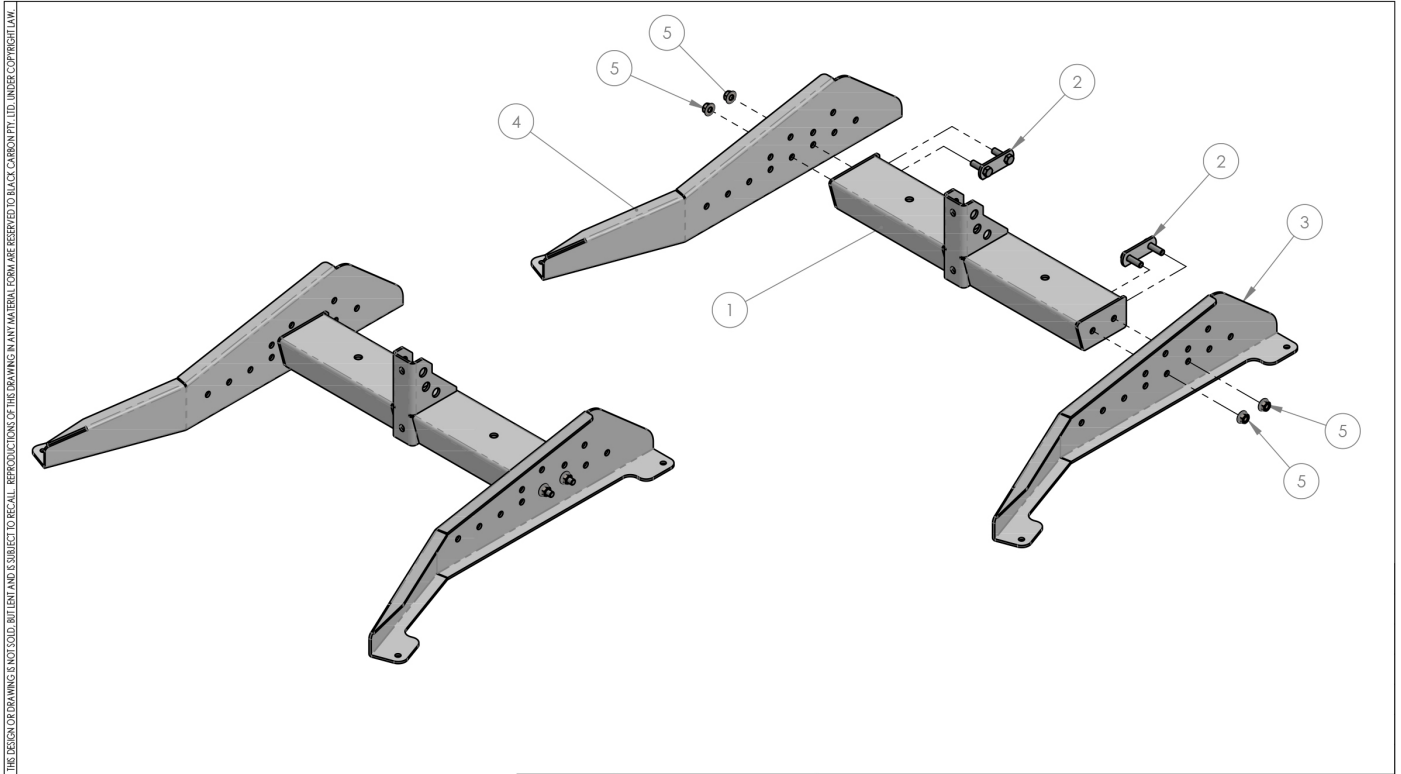


# Upright Target Stand



# Upright Target System



THIS DESIGN OR DRAWING IS NOT SOLD, BUT LENT AND IS SUBJECT TO RECALL. REPRODUCTIONS OF THIS DRAWING IN ANY MATERIAL FORM ARE RESERVED TO BLACK CARBON PTY. LTD. UNDER COPYRIGHT LAW.

5	HFN M12	HEX FLANGE NUT - STANDARD METRIC M12	4
4	403001	LEG LEFT - TARGET STAND	1
3	403000	RIGHT LEG - TARGET STAND	1
2	401007	CLAMP PLATE	2
1	401005	CENTRE BEAM WELDMENT - BASE	1
ITEM NO.	PART NUMBER	DESCRIPTION	QTY.

## STEP ONE:

Take either the left or right leg (item 3 or 4) and place leg against the centre beam weldment base. ( item 1 ) Once you have matched up the thread holes, take the thread clamp plate (item 2) and thread it through your desired holes.

*Note: The centre beam can be sitting flat or you can tilt it forward to have targets and posts on an angle, When targets are on a forward angle, the stress to the Bissalloy plate is reduced. All thread holes are aligned so you can alter your angle at any time.*

## STEP TWO:

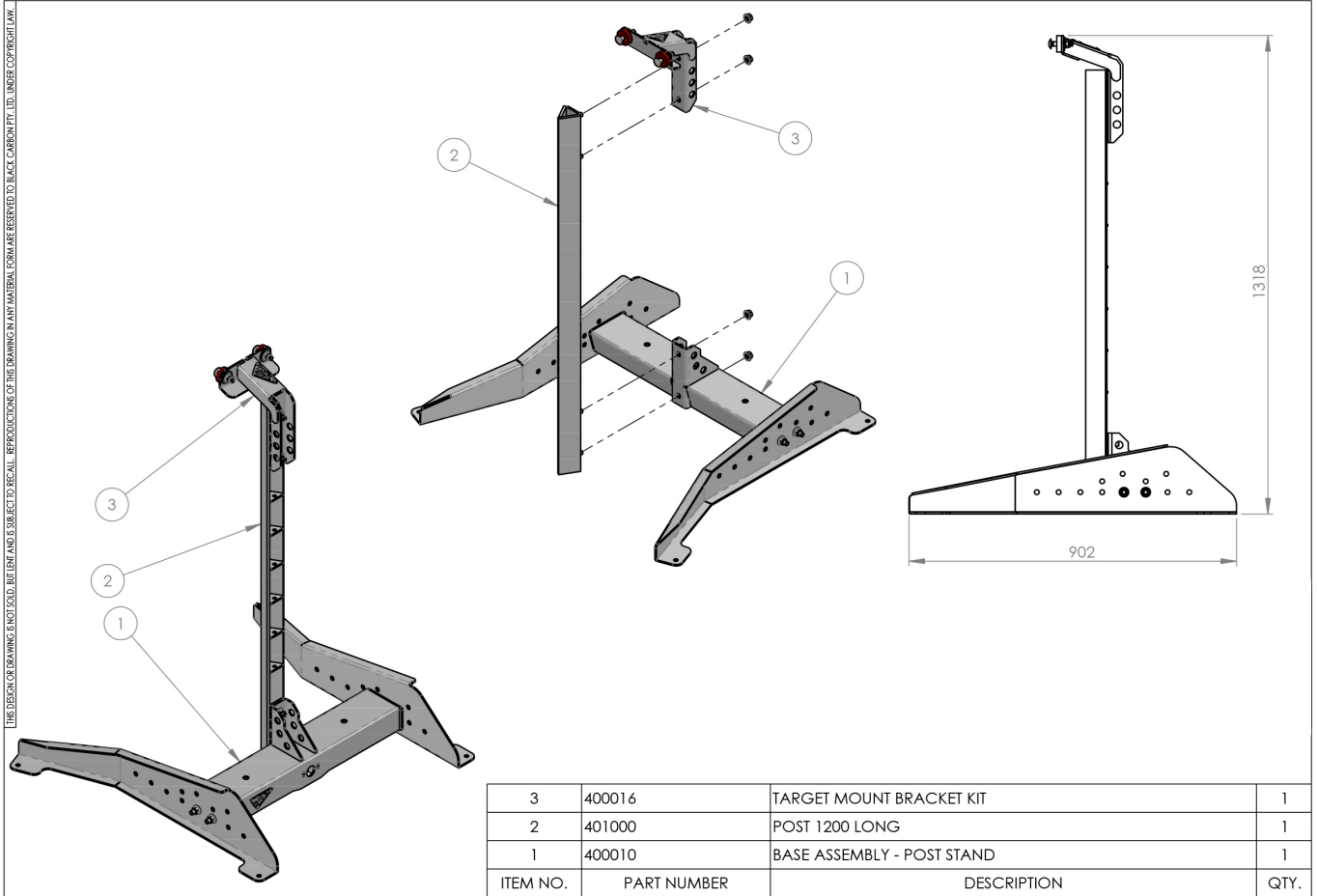
Once you have aligned your leg (item 3/4) to the centerbeam (item 1) and threaded your clamp plate (item 2) through the holes, complete the bolt by adding your Hex Flange Nut - Standard Metric M12 (item 5) to the clamp plate and begin tightening the nut with your fingers.

## STEP THREE:

Once you have tightened the Hex Nuts (item 5) to your threaded clamp plate rods, use a deep socket 18mm wrench and/or a 18mm wrench to tighten nuts. Complete one side, then follow the steps again to complete the other leg, insuring that you align your holes as you did on the first side.



# Upright Target System



3	400016	TARGET MOUNT BRACKET KIT	1
2	401000	POST 1200 LONG	1
1	400010	BASE ASSEMBLY - POST STAND	1
ITEM NO.	PART NUMBER	DESCRIPTION	QTY.

## STEP FOUR:

Now that your base is complete, take your Bisalloy Post ( item 2 ) and hold this vertically. Whilst holding your post ( item 2 ) vertically, align the threaded rods which appear on either ends of the post, and slot them into the Center base ( item 1 ) holes.

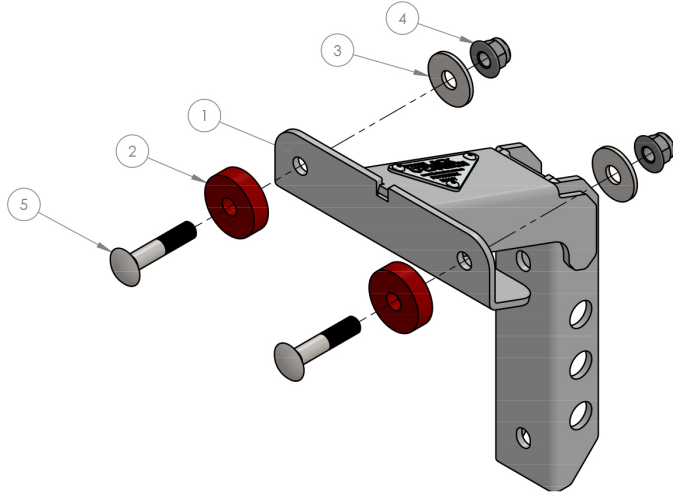
## STEP FIVE

Once you have slid the post ( item 2 ) through the center base mounting holes ( item 1 ) you can then get your Hex Nuts and tighten with fingers. Once Hex nuts are firm, please take your deep socket 18mm wrench or 18mm wrench to retighten the hex nuts to the threaded rods.



# Upright Target System

THIS DESIGN OR DRAWING IS NOT TO BE REPRODUCED OR TRANSMITTED IN ANY FORM OR BY ANY MEANS, ELECTRONIC OR MECHANICAL, INCLUDING PHOTOCOPYING, RECORDING, OR BY ANY INFORMATION STORAGE AND RETRIEVAL SYSTEM. ALL RIGHTS RESERVED TO BLACK CARBON PTY LTD. UNDER COPYRIGHT LAW.



5	CHB M12x60 SS316	CUP HEAD BOLT SS316 M12 x 60 LONG	2
4	FHXN8 M12	HEX FLANGE NUT - METRIC NYLOC M12	2
3	FWLI 0.5x1.5HD	FLAT WASHER - LARGE IMPERIAL 0.5" x 1.5" HD	2
2	404014	POLYURETHANE SPACER	2
1	401003	TARGET POST MOUNT WELDMENT	1
ITEM NO.	PART NUMBER	DESCRIPTION	QTY.

## STEP SIX:

Now that your base and post is assembled, You can complete your target mount bracket kit.

Take your target post mount weldment (item 1) and lay down on its side. From here, take the cup head bolt (item 5) and thread it through your polyurethane spacer (item 2). Once the spacer is on the bolt, thread the bolt through the target post mount (item 1).

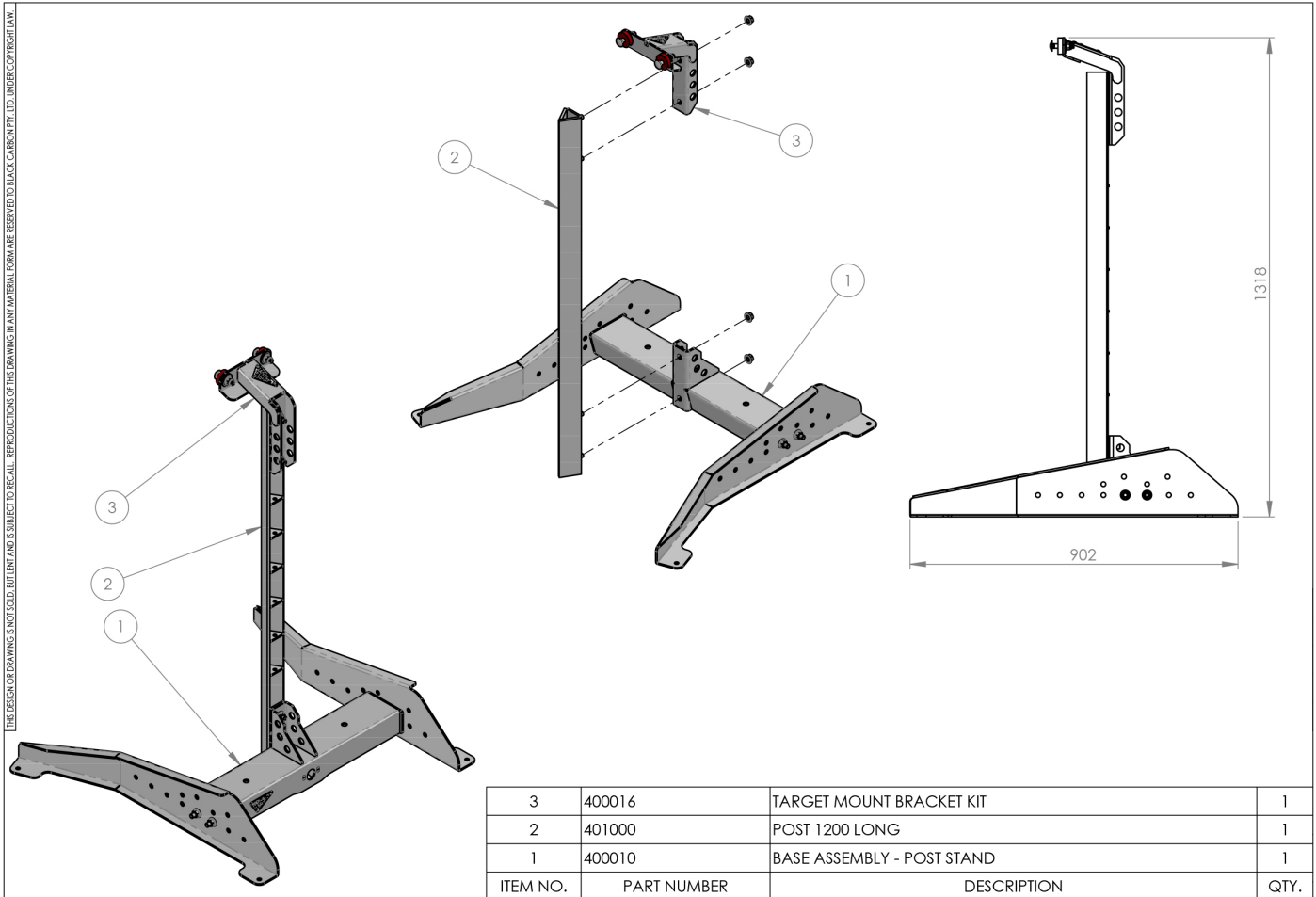
## STEP SEVEN:

With the bolt through the hole, simply take the flat washer (item 3) and place over the bolt followed by the hex flange nub (item 4)

Tighten with fingers on either side, followed by using a deep socket 18mm wrench or 18mm wrench to retighten the Hex nut in place.



# Upright Target System



## STEP EIGHT

Take your completed target mounting bracket kit (item 3) and hold it up towards the post (item 2) until the post's threaded rods and bracket holes match. Slide the target mounting bracket kit (item 3) onto the post (item 2) ensuring not to damage the threads on the rods. Once the target mounting bracket (item 3) is on the post (item 2), take the hex nuts (item 4) and begin tightening with your fingers, followed by using a deep socket 18mm wrench to tighten further.

## STEP NINE:

The final step to completing your upright target system is to add our *Black Carbon* target!

To do this, go back to "**STEP SEVEN**" and remove the hex nut and flat washer from the target mounting bracket kit (item 3)

Whilst holding up a flat target, slide the polyurethane spacer and cup head bolt out of the target mounting bracket kit (item 3) hole, place target plate against the target mounting bracket kit (item 3) and then re-insert the polyurethane spacer and cup head bolt through the target and mounting bracket hole. Add spacer, hex nut and tighten with finger, then complete the other side.

Complete your target by re-tightening your hex nuts with a deep socket 18mm wrench.