

Your FW3 trolley features a new Plug'n'Play battery system. Batteries available are as follows:

Standard 18Hole | Extended 36Hole* | Lithium 18Hole | Lithium Extended 36Hole*

*In normal conditions the Extended batteries will do 36 holes when used on a PowaKaddy trolley. Conditions such as long or exceptionally hilly courses, wet ground conditions and excessively heavy golf bags may reduce the range of the battery. Always fully recharge this battery regardless of the number of holes played. Most lead acid batteries reach the end of their life in the second or third season and often without any apparent reason. Very hot or cold weather does not help. Even batteries that are treated identically have different life spans. Please note the Extended lead acid battery is not available on the Plug'n'Play system although an adaptor plate is provided.

Do:

- Place the charger on a hard flat heat resistant surface, in a well ventilated area.
- Connect the charger to the battery before switching on the power.
- Charge your battery for 12 hours before first use.
- Switch off the power before disconnecting the charger from the battery.
- Recharge your battery (12 Hours Minimum) within 24 hours of use, no matter how many holes played.
- Leave the battery on charge even when not in regular use to maintain optimum life and performance. It is perfectly safe to leave the battery plugged in on charge. Once charged the charger will use virtually no electricity but guarantee you a fully charged battery for your next round.
- Secure the battery when transporting ensuring metal objects cannot come into contact with the terminals.
- Ensure your Plug'n'Play Lithium's isolation switch is in the off position when the battery is connected but not in use. for example during transportation.

Do Not:

- Expose the charger to rain, moisture or damp, if you suspect any of these have occurred then do not use the charger.
- Wrap or cover the charger, as chargers generate heat in use.
- Use the charger or battery if the leads, contacts or casings are damaged.
- Leave the charger connected to the battery with the mains supply switched off.
- Leave the battery in a discharged condition, this will dramatically reduce the life of the battery and your charger may be unable to recharge it.
- Discharge your battery other than in normal use. The charger will not charge an over-discharged battery.
- Submerge the lithium battery in water, or deliberately spray with water or other liquids. To clean use a lightly dampened cloth. IMPORTANT - if submerged under water or if water may have entered due to damage to casing, place outdoors in a non-combustible container covered in sand well away from other flammable material, and contact PowaKaddy or your Local Authority for further advice.
- Leave on charge in temperatures below 0 C or expose the lithium battery to temperatures below -5 C or above 40 C.
- Use a non-PowaKaddy charger with your battery. A mismatch of battery and charger could cause damage.
- Charge your Plug'n'Play Lithium battery with the isolation switch in the off position.

Other Useful Information:

- Chargers have two lights (can be combined in one bulb), when connecting a discharged battery red/amber will illuminate, the light will turn green during the charging cycle, this does not mean the charge has finished, the battery must remain on charge for a minimum of 12 Hours.
- Batteries can sometimes take 2-3 rounds of golf before they become fully 'activated'. We have found that on rare occasions there is not enough capacity to complete a full round of golf. Our advice is to play only 9 holes on their first outing.
- Check with your airline before attempting to transport by air.
- If you have a golf trolley battery that you would like to use with the new Plug'n'Play battery system you can purchase a fitting kit and case. The kit requires some DIY but will convert your existing battery into a convenient Plug'n'Play battery for use with our new system.

Additional information: Please refer to the product labels on your battery and charger.
Recycling and disposal: At the end of the battery's life dispose at your local recycling centre.



Instruction Manual



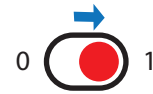
Thank you for purchasing the new PowaKaddy FW3. We hope you enjoy your new trolley and welcome your feedback and comments. Please read these instructions carefully. Battery care is very important, please refer to the back page of this manual for battery care instructions.

When you receive your new PowaKaddy FW3 you will have the following:

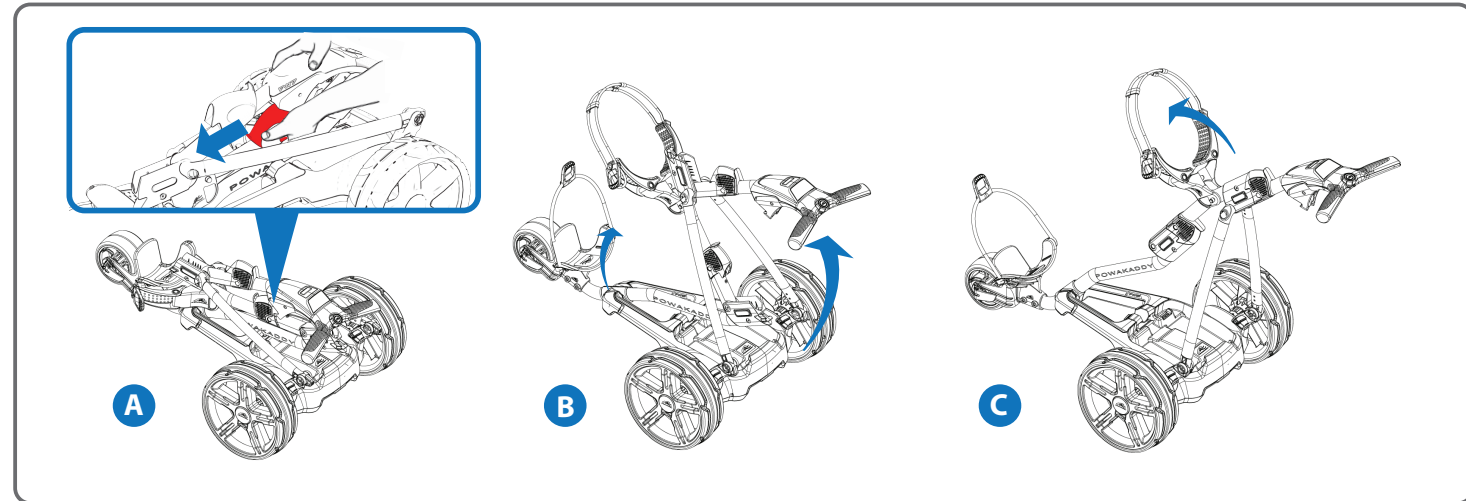
1 x Trolley | 1 x Battery (lead acid or lithium) | 1 x Charger | 2 x Wheels | 1 x Instruction pack

IMPORTANT- you must fully charge your battery for a minimum of 12 hrs before using your trolley. Always recharge your battery within 24 hrs of use. Failure to do so could reduce the life of your battery.

Note: if you have purchased a Lithium or Lithium Extended product the battery is stored in the frame. Remove the battery and activate using the isolation switch located on the underside of the battery. (See image 2 for battery removal)



1 Fit the wheels by pressing the yellow release clip and pushing onto the axle until the clutch is engaged. Note: the wheels can be locked into two positions; push onto the inner groove to engage drive. The outer groove can be used when drive is not required. To open, slide the main lock (highlighted below) forward to release the handle latch and open as shown below.



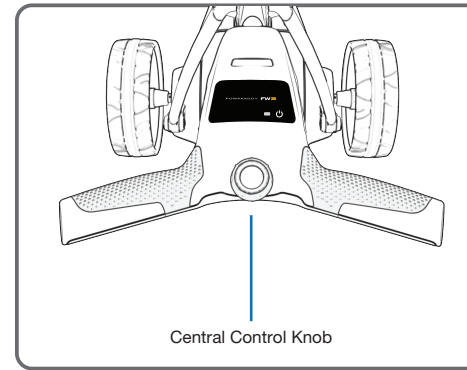
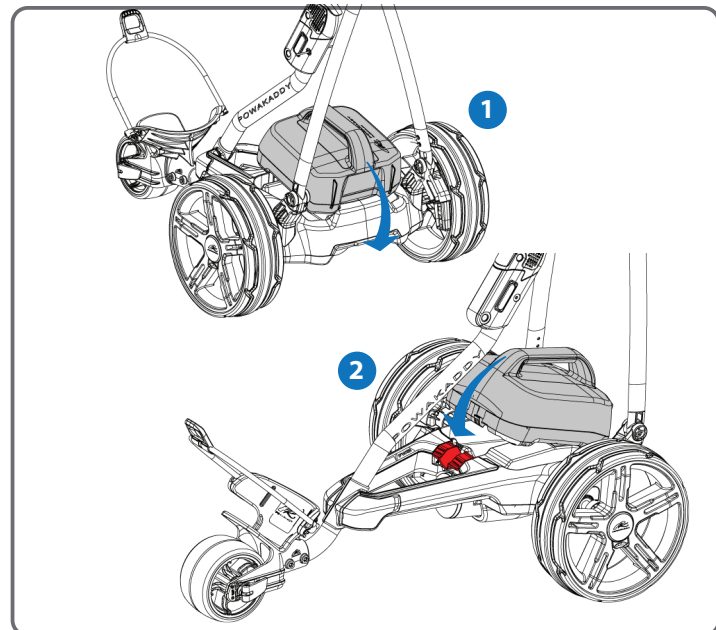
2 PLUG'n'PLAY™

Plug'n'Play Battery System: Once your battery is charged and trolley assembled connect your battery as shown.

- 1** Engage the rear of the battery first.
- 2** Press the front until the battery clips into position. The trolley's power will automatically be connected.

To remove the battery depress the front latch (highlighted) and lift the battery out. The lithium battery operates in the same way.

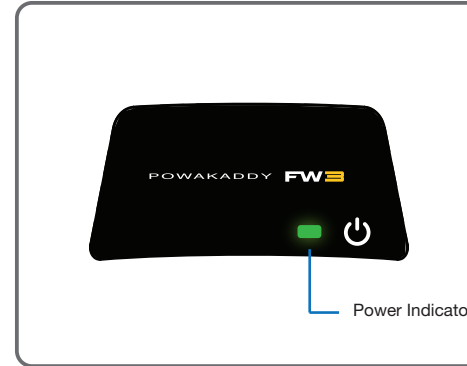
Note: The lithium battery can be stored within the tray for transportation and storage. Please ensure you de-activate the battery using the red isolation switch located on the underside. Leaving your battery in the on (1) position could lead to your battery discharging or trolley activating during transportation.



Central Control Knob

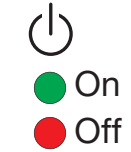
3 FW3 Controls: Once your battery is connected your trolley will be ready to use. The control functions are detailed below:

Central control knob: Turn to control the speed of the trolley in normal operation. Press to pause and resume your selected speed.

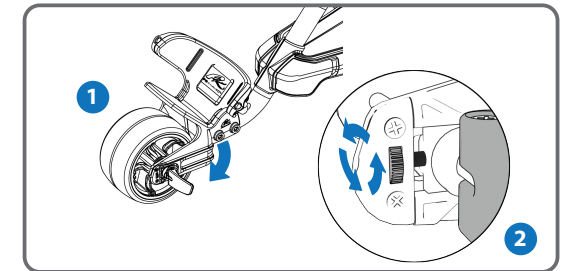


Power Indicator

Power Indicator: Displays whether power is being applied to the drive system. (on/off)



4 Front wheel steering adjustment: Your trolley will already be pre-set to run straight. If you find your trolley tracking to the left or right you can re-adjust this by releasing the front wheel lever and rotating the adjustment roller. Rotate up to make your trolley track more to the LEFT and rotate down to track more to the RIGHT. Once you are happy the trolley is running straight re-apply the lever to lock in position.



Maintenance: Your PowaKaddy trolley is simple to maintain. Follow these steps for optimal performance.

- Store in a dry, protected place.
- Never jet wash your trolley or immerse it into water. Avoid using detergents, oils or solvents to clean your trolley. Wipe using a damp cloth and always dry your trolley if used in wet conditions.
- Occasionally remove the wheels and apply grease to the axle and moving parts.

Your serial number can be found on the underside of the central tube.