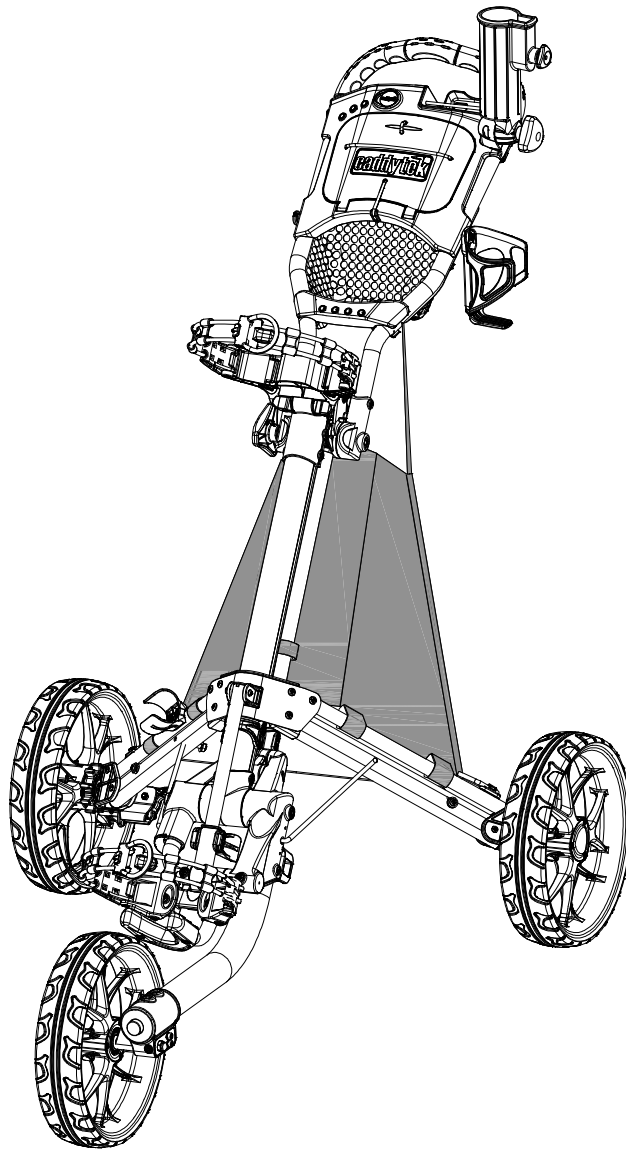


# **caddytek**

## **CaddyLite EZ V2**



### **User's Manual**

CaddyTek Inc.  
20175 S. Atlantic Blvd., # C  
Monterey Park, CA 91754, USA  
[www.caddytek.net](http://www.caddytek.net)

## **WARNING:**

FOR YOUR OWN SAFETY, PLEASE REVIEW THESE WARNINGS AND KEEP THIS USER GUIDE FOR FUTURE REFERENCE.

- Before using this golf cart, please read and understand the important instructions and warnings in this user guide.
- AVOID injury by always following the folding and unfolding the cart instructions carefully
- AVOID INJURY by keeping clear of moving parts while adjusting, folding or unfolding this cart.
- ALWAYS make sure the cart is fully extended and locked before use.
- ALWAYS make sure the cart is folded and locked properly before lifting or transporting.
- ALWAYS use the brake when parking the cart.
- DO NOT run while using this cart.
- DO NOT use accessories other than those designed specifically for this cart.
- Keep hands and fingers away from moving parts or sliding sections of the cart!

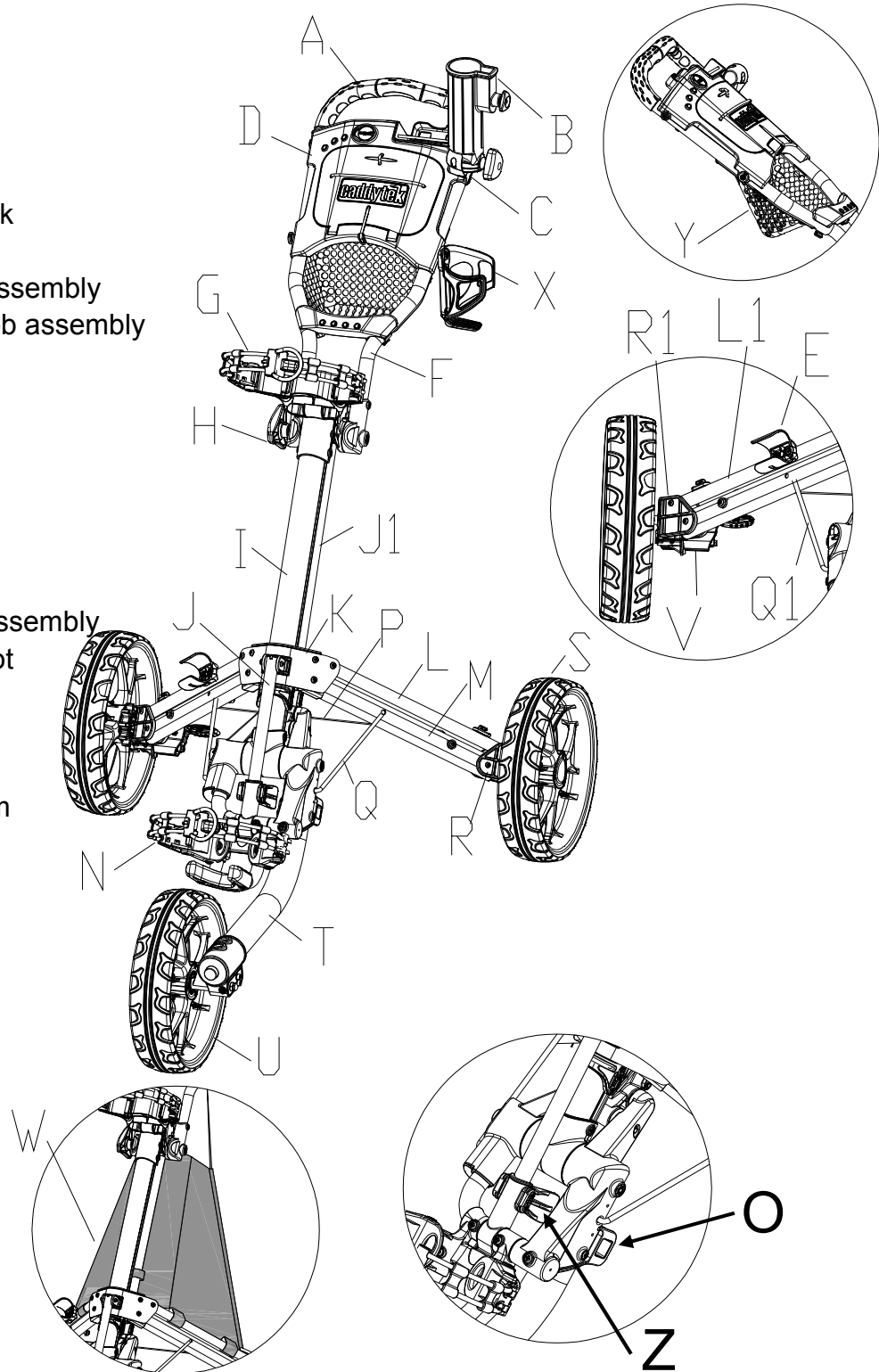
**Package contents:**

1. The main frame of the cart with the front wheel
2. Two main wheels
3. Umbrella holder
4. Drink holder
5. This user manual
6. Tools for adjustment

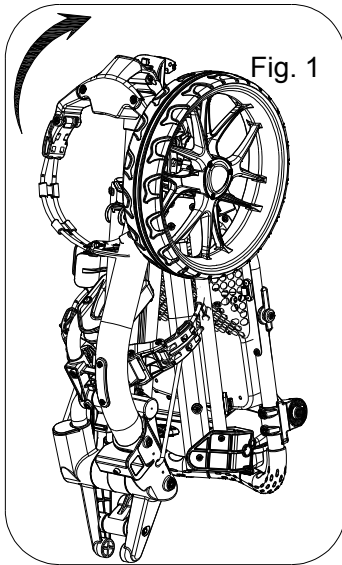
In case any of above item is missing or damaged, please call **800-906-6918** or email [caddytek@gmail.com](mailto:caddytek@gmail.com) to report.

**Parts identification:**

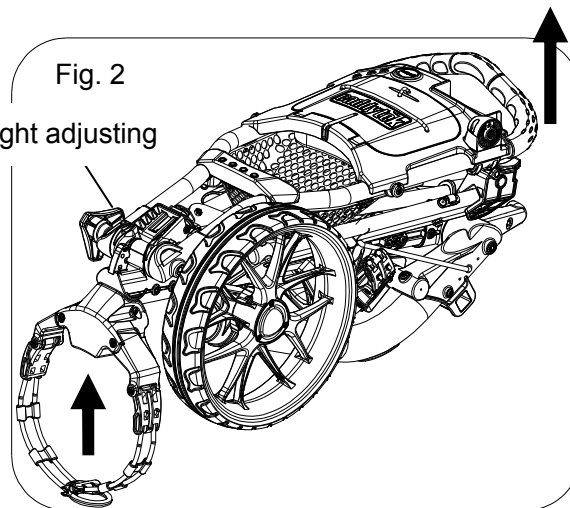
- A: TPE handle grip
- B: Umbrella holder
- C: Umbrella holder base
- D: Scorecard holder assembly
- E: Umbrella holder storage rack
- F: Handle frame
- G: Upper bag holder bracket assembly
- H: Handle height adjusting knob assembly
- I: Main frame
- J: Front connection Rod
- J1: Main connection Rod
- K: Leg frame bracket
- L: 2 holes right leg frame
- L1: 2 holes left leg frame
- M: 4 holes right leg frame
- N: Lower bag holder bracket assembly
- O: Optional seat installation slot
- P: Supporting cable
- Q: Right stabilization bar
- Q1: Left stabilization bar
- R: Right wheel lock mechanism
- R1: Left wheel lock mechanism
- S: Rear wheel assembly
- T: Front wheel fork assembly
- U: Front wheel assembly
- V: Foot brake assembly
- W: Basket with cooler
- X: Drink holder
- Y: Handle mesh net
- Z: Main frame folding holder



## Assembly the car



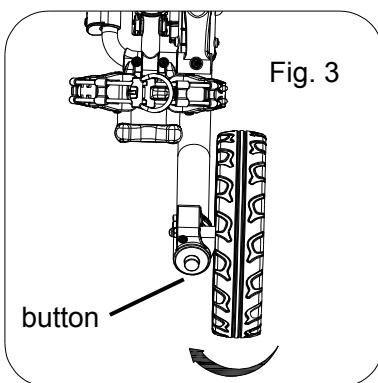
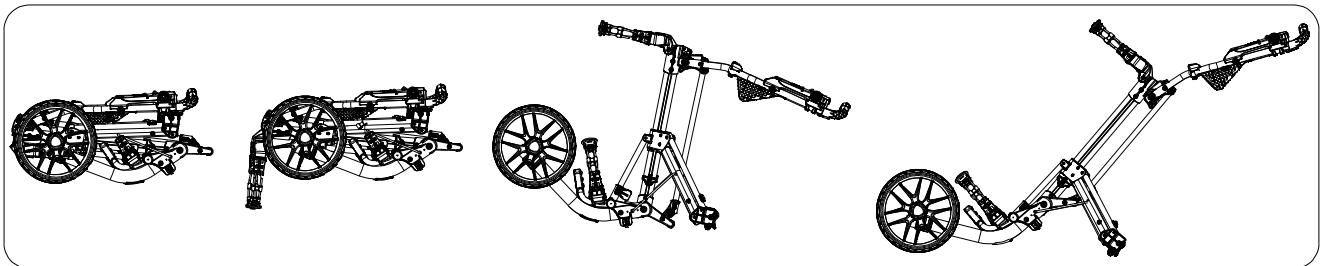
Lift the upper bag holder bracket



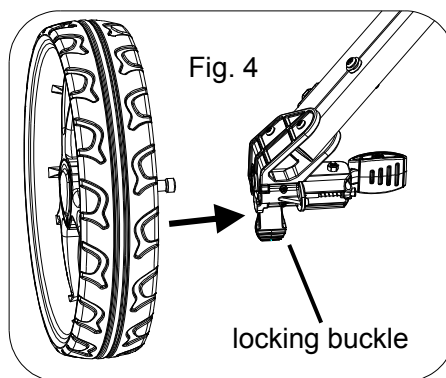
handle height adjusting

Make sure the handle height adjusting knob is fully tighten . Pull the handle and upper bag bracket as shown in Fig. 2 to extend the cart. (Shake the cart slightly to release the main frame from the holding slot if necessary.)

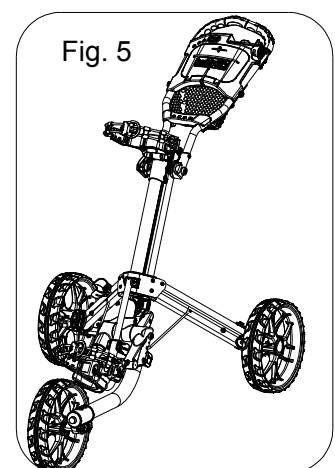
## Unfolding motion



As shown in Fig 3, press the button and rotate the front wheel 180 degree clockwise so the front wheel is at center of the cart.

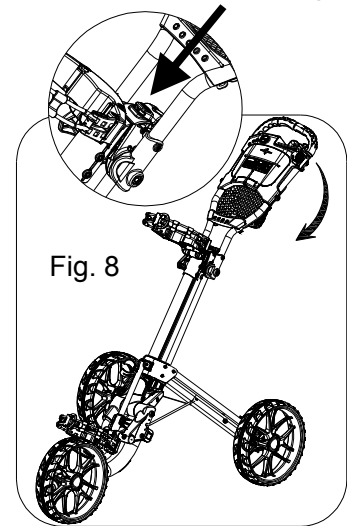
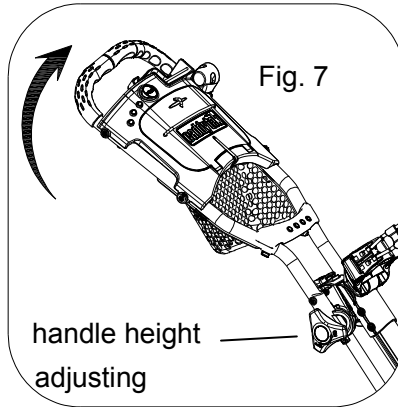
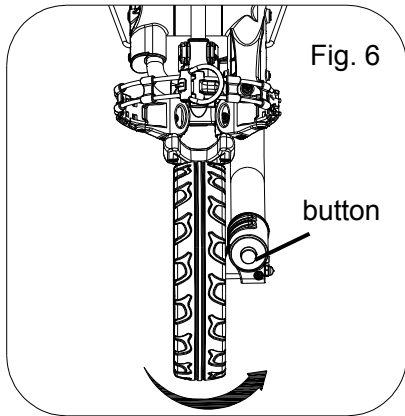


Release the wheel locking buckle, insert the wheel axel into the wheel holder completely and then tighten the locking buckle.



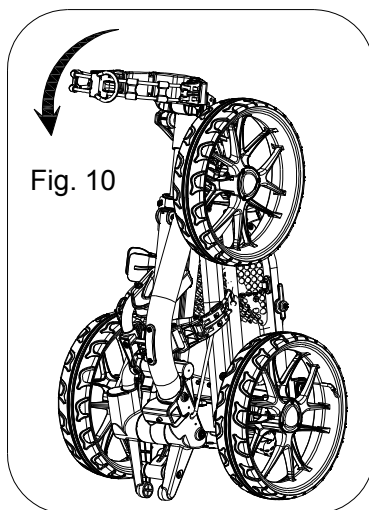
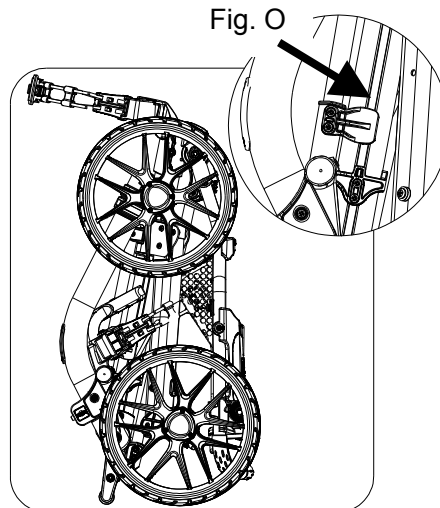
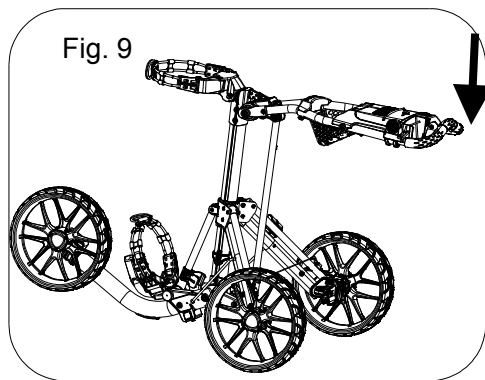
The cart is fully extended as shown in Fig. 5

## Folding the cart

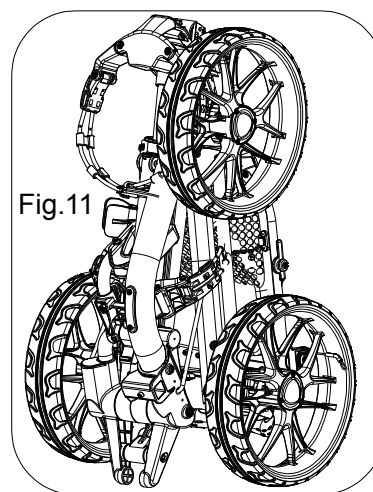


Press the button and rotate the front wheel 180 degree counterclockwise so the front wheel is on the right of the front wheel fork (when you stand in front of the cart).

Make sure the handle height adjusting knob is fully tighten .Slightly lift up the handle as Fig. 7 then press the folding button and push the handle downward as shown in Fig. 8 , Fig. 9 to fold the cart till the main frame clicks into the holding slot as in Fig. O.



Fold down the upper bag holder bracket



The cart is fully folded.



## Install the drink holder

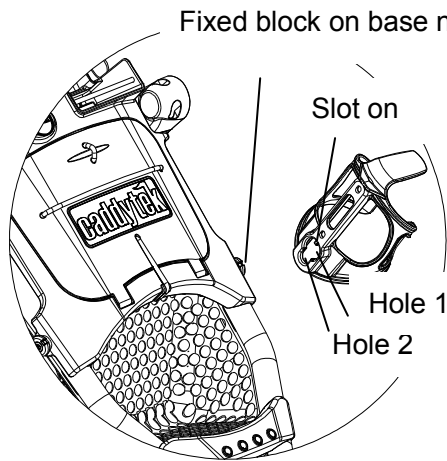


Fig. 12

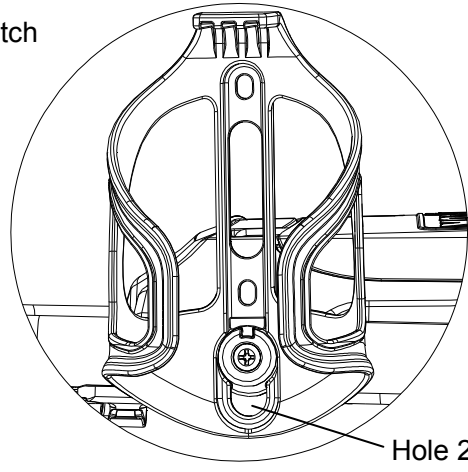
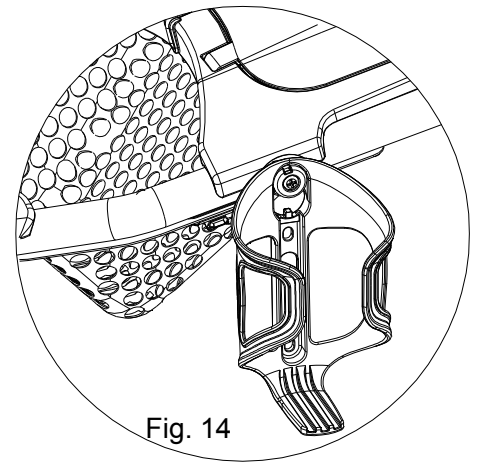


Fig. 13



When installing the drink holder as Fig.12, align the smallest part of the slot on the holder with the fixed blocks. Then pull horizontally to fit the holder on the base as Fig.13 & 14.

## Umbrella Holder

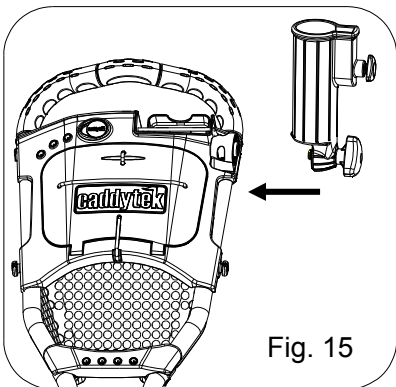


Fig. 15

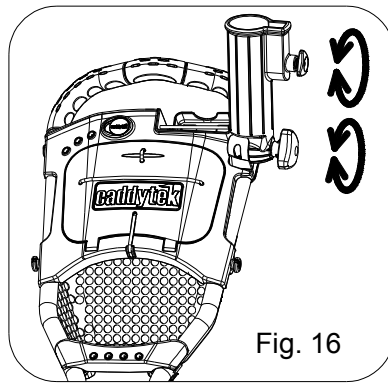


Fig. 16

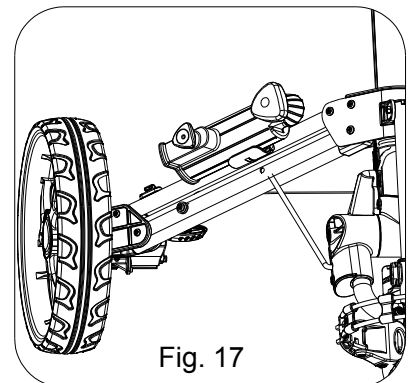


Fig. 17

**To put in use:**  
Simply attach the umbrella holder onto the cart as in fig. 15/16

**To store:**  
Attach the umbrella holder to the storage rack on the right leg frame as in Fig. 17.

## Use the brake

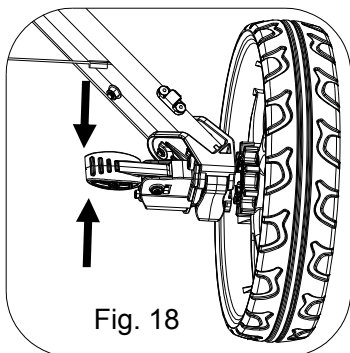


Fig. 18

Press the foot brake to brake, lift it up to release as Fig. 18

## To open the scorecard holder cover

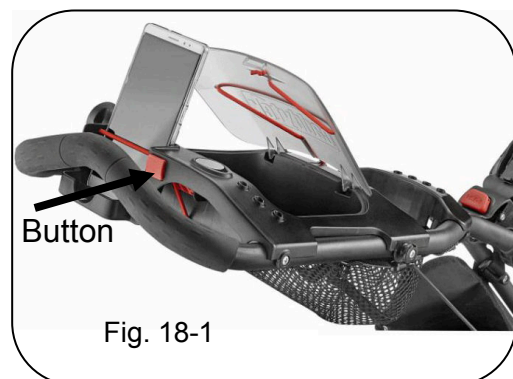
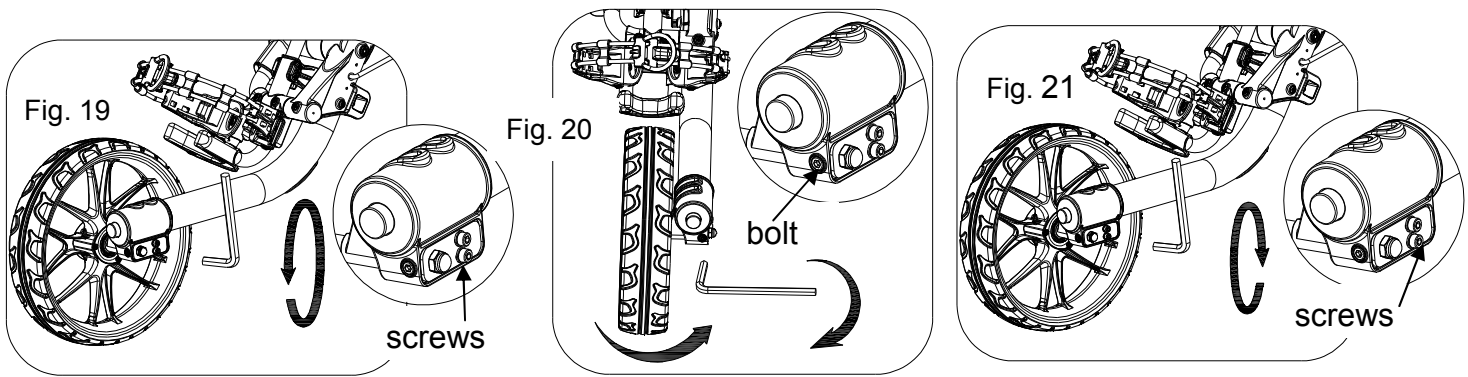


Fig. 18-1

Press the button to open the scorecard holder cover as Fig. 18-1

## Front Wheel Alignment



If the cart veers to the right:

Step 1: Face the front wheel of the cart and use the provided Allen wrench to loose the two side screws as in fig. 19.

Step 2: Then use the Allen wrench to adjust the front bolt clockwise until the front wheel is centered as in Fig. 20. Then tighten the two side screws as in fig. 21.

If the cart veers to the left:

Step1: The same as above.

Step 2: Adjust the front bolt counterclockwise until the front wheel is centered as in fig.20. Then tighten the two side screws as in fig. 21.



## **WARRANTY**

CaddyTek Inc. warrants its products to be free of defects and workmanship for one year from the date of purchase. We will either repair or replace defective products at our option.

Normal wear and fading of products are not considered manufacturer's defect. This warranty does not apply to claim of damage to items used in connection with CaddyTek Inc. products. In the case of deterioration due to normal use we will repair the item for a normal charge. CaddyTek Inc. is the sole judge of any claim or warranty.

For customers in North America, please contact CaddyTek Inc. for the service. For customers outside of North America, please contact with your dealer for the warranty service or you are welcome to contact CaddyTek Inc. directly.



## **PRODUCT REGISTRATION**

I have read and understand this product's operation and warranty, and wish to record my purchase:

Model: \_\_\_\_\_

Name (Mr./Mrs./Miss): \_\_\_\_\_

Address: \_\_\_\_\_

City: \_\_\_\_\_ State: \_\_\_\_\_ ZIP: \_\_\_\_\_

Tel: \_\_\_\_\_ E-Mail \_\_\_\_\_

Date of Purchase: \_\_\_\_\_ Name of Store/Dealer: \_\_\_\_\_

Round of Golf per Month: \_\_\_\_\_ HCAP \_\_\_\_\_

Signed: \_\_\_\_\_ Date: \_\_\_\_\_

Failure to return this card may result in delayed response to you warranty claim

**Stamp**

**Caddytek Inc.**  
**20175 S. Atlantic Blvd., # C**  
**Monterey Park, CA 91754**  
**USA**

You can also register your golf cart on [www.caddytek.net](http://www.caddytek.net)

