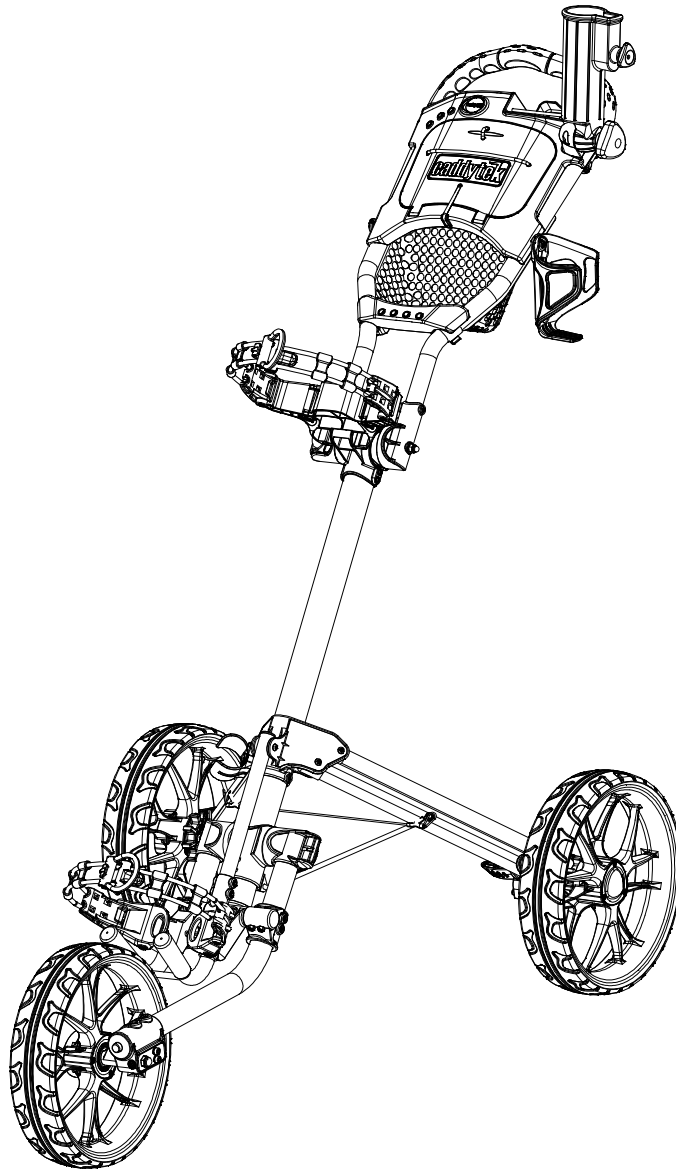


caddytek

CaddyLite 15.3 V2



User's Manual

CaddyTek Inc.
20175 S. Atlantic Blvd., # C
Monterey Park, CA 91754, USA
www.caddytek.net

WARNING:

FOR YOUR OWN SAFETY, PLEASE REVIEW THESE WARNINGS AND KEEP THIS USER GUIDE FOR FUTURE REFERENCE.

- Before using this golf cart, please read and understand the important instructions and warnings in this user guide.
- AVOID injury by always following the folding and unfolding the cart instructions carefully
- AVOID INJURY by keeping clear of moving parts while adjusting, folding or unfolding this cart.
- ALWAYS make sure the cart is fully extended and locked before use.
- ALWAYS make sure the cart is folded and locked properly before lifting or transporting.
- ALWAYS use the brake when parking the cart.
- DO NOT run while using this cart.
- DO NOT use accessories other than those designed specifically for this cart.
- Keep hands and fingers away from moving parts or sliding sections of the cart!

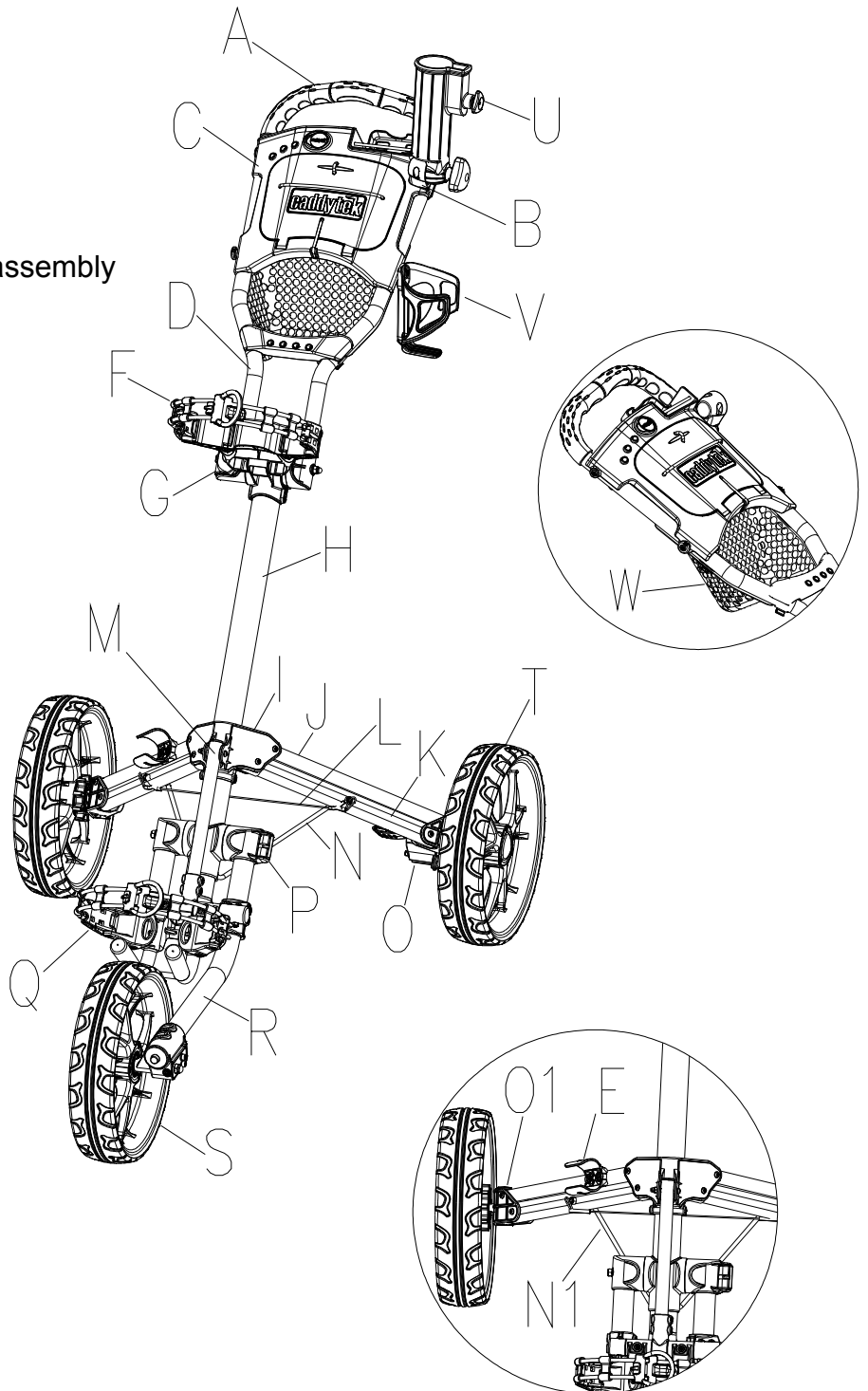
Package contents:

1. The main frame of the cart with the front wheel
2. Two main wheels
3. Umbrella holder
4. Drink holder
5. This user manual
6. Tools for adjustment

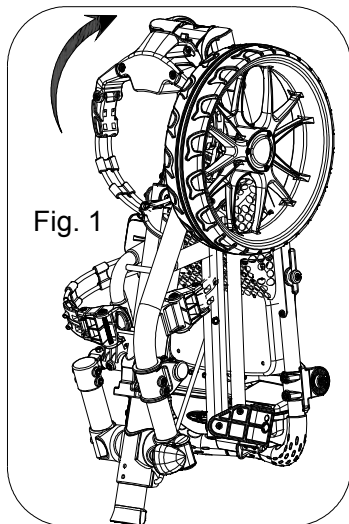
In case any of above item is missing or damaged, please call 800-906-6918 or email caddytek@gmail.com to report.

Parts identification:

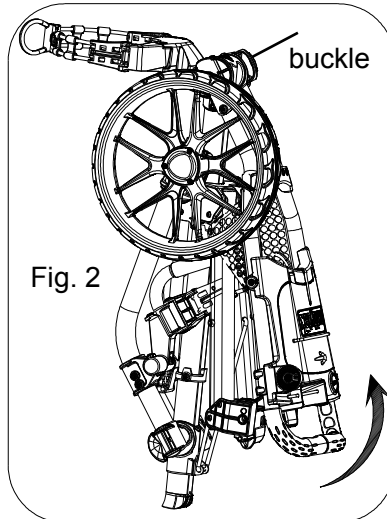
- A: TPE handle grip
- B: Umbrella holder base
- C: Scorecard holder assembly
- D: Handle frame
- E: Umbrella holder storage rack
- F: Upper bag holder bracket
- G: Handle height adjusting knob assembly
- H: Main upper frame tube
- I: Leg frame bracket
- J: 2 holes right leg frame
- K: 4 holes right leg frame
- L: Supporting cable
- M: Front connection Rod
- N: Right stabilization bar
- N1: Left stabilization bar
- O: Right wheel lock mechanism
- O1: Left wheel lock mechanism
- P: Lower frame lock mechanism
- Q: Lower bag holder bracket
- R: Front wheel fork assembly
- S: Front wheel assembly
- T: Main wheel
- U: Umbrella holder
- V: Drink holder
- W: Handle mesh net



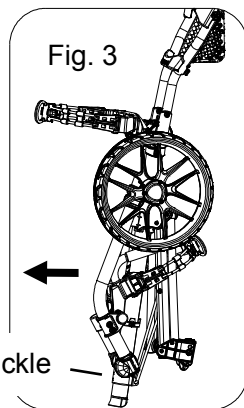
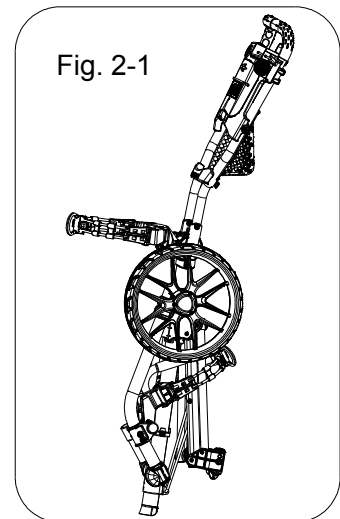
Assembly the car



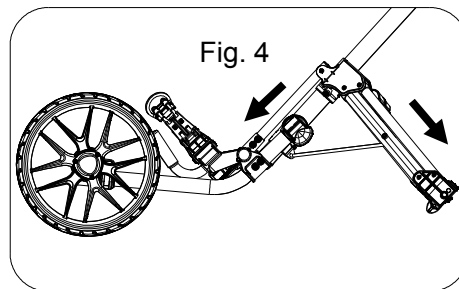
Lift the upper bag bracket till it click to position as in Fig.1



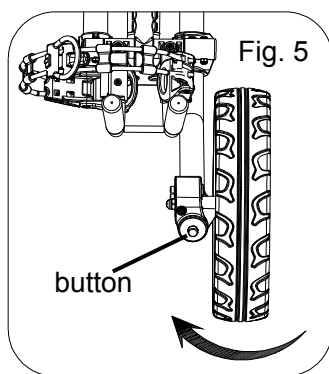
Release the buckle by the upper bag holder, lift the handle to desired position, then tighten the buckle as in Fig. 2 and 2-1.



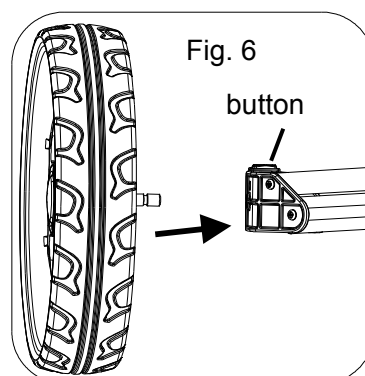
buckle



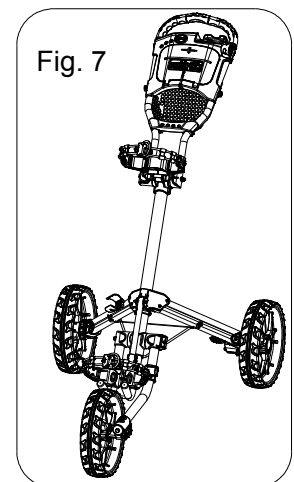
Release the buckle, push the front wheel fork downward to fully extend the front wheel frame fork and the two leg frames, then lock the buckle as in Fig. 3 and 4.



As shown in Fig 5, press the button and rotate the front wheel 180 degree clockwise so the front wheel is at center of the cart.

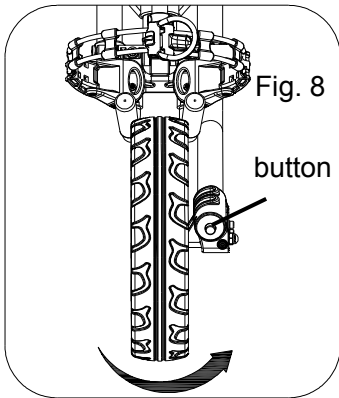


Press the button and insert both rear wheels as in Fig. 6

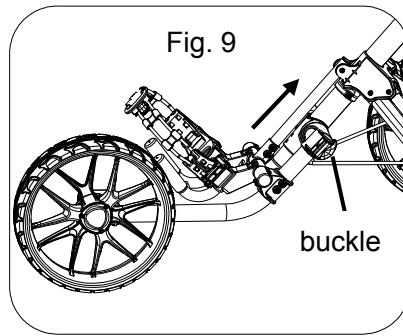


The cart is fully extended as shown in Fig. 7

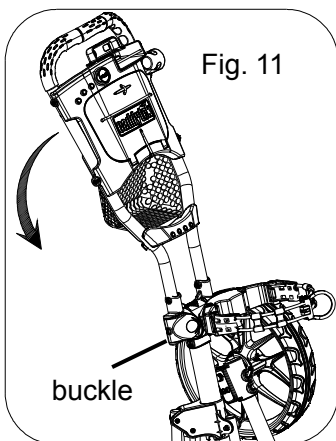
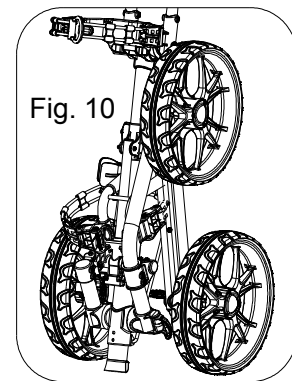
Folding the cart



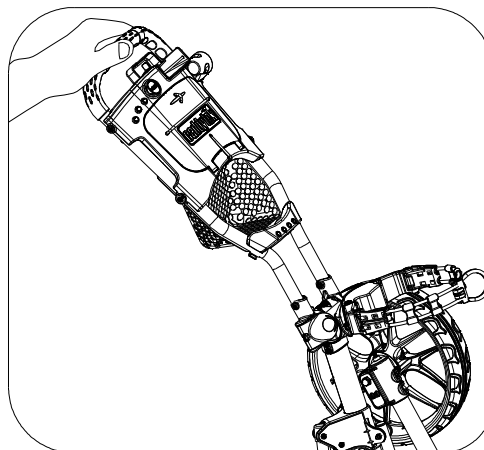
Press the button and rotate the front wheel 180 degree counterclockwise so the front wheel is on the right of the front wheel fork (when you stand in front of the cart).



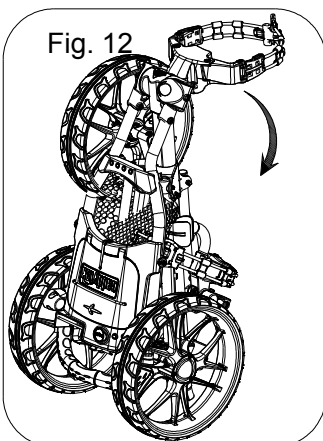
Release the lower buckle, fold the front wheel fork till it click to position. Lock the buckle as in Fig. 9 & 10.



Release the buckle by the upper bag holder to fold the handle downward, then tighten the buckle as in Fig.11



. CAUTION: Please hold on to the handle when releasing the handle frame locking buckle to avoid the frame dropping abruptly and causing injury.



Fold down the top bracket as in Fig.12

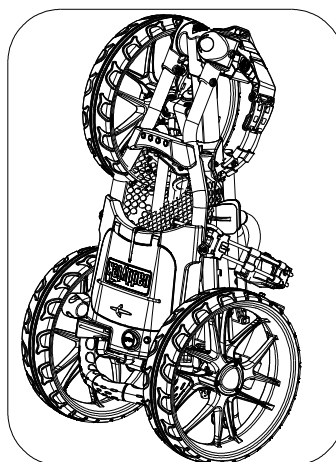


Fig. 13

The cart is fully folded as in Fig.13

Install the drink holder

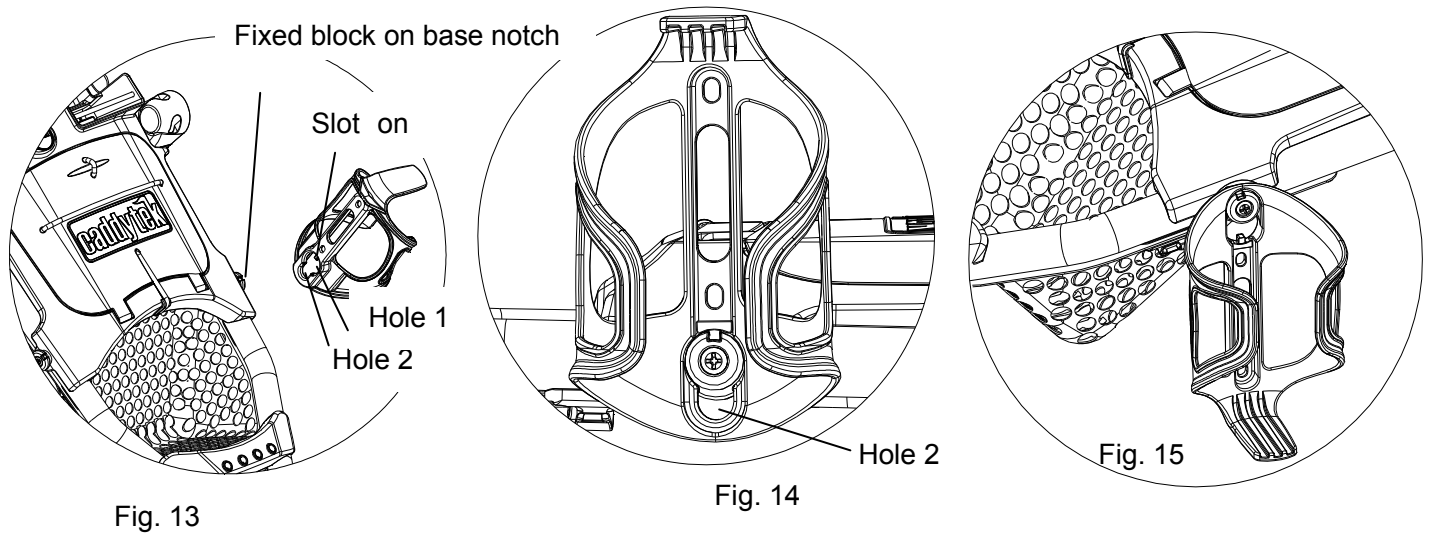


Fig. 13

Fig. 14

Fig. 15

When installing the drink holder as Fig.13, align the smallest part of the slot on the holder with the fixed blocks. Then pull horizontally to fit the holder on the base as Fig.14 & 15.

Umbrella Holder

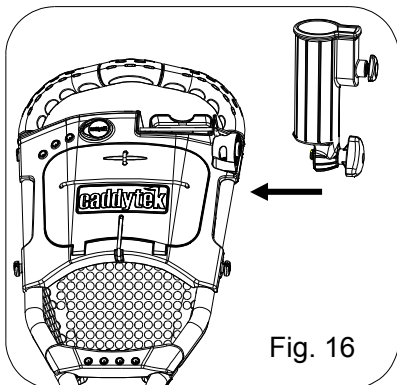


Fig. 16

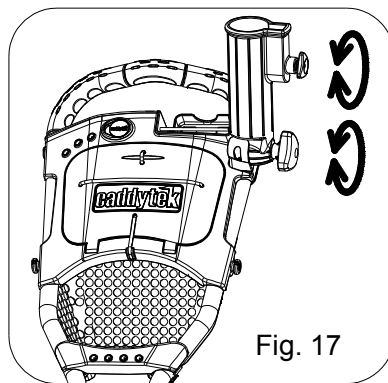


Fig. 17

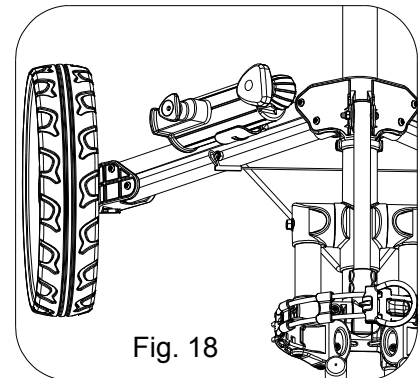


Fig. 18

To put in use:
Simply attach the umbrella holder onto the cart as in fig. 16/17

To store:
Attach the umbrella holder to the storage rack on the right leg frame as in Fig. 18.

Use the brake

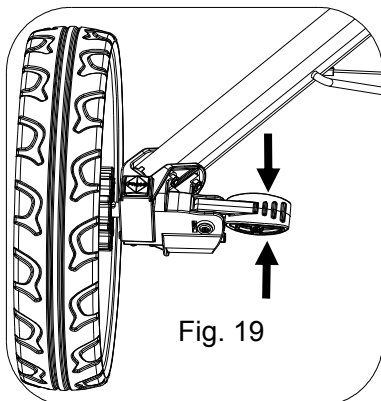


Fig. 19

Press the foot brake to brake, Lift it up to release as Fig.19

To open the scorecard holder cover

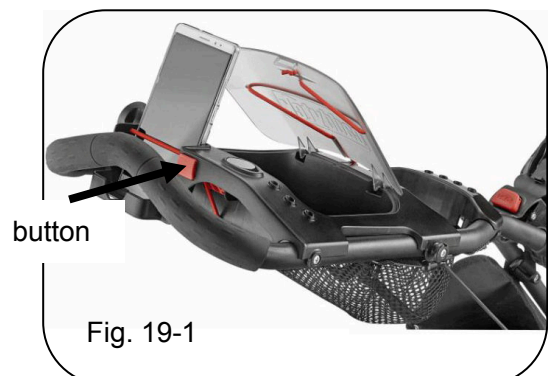
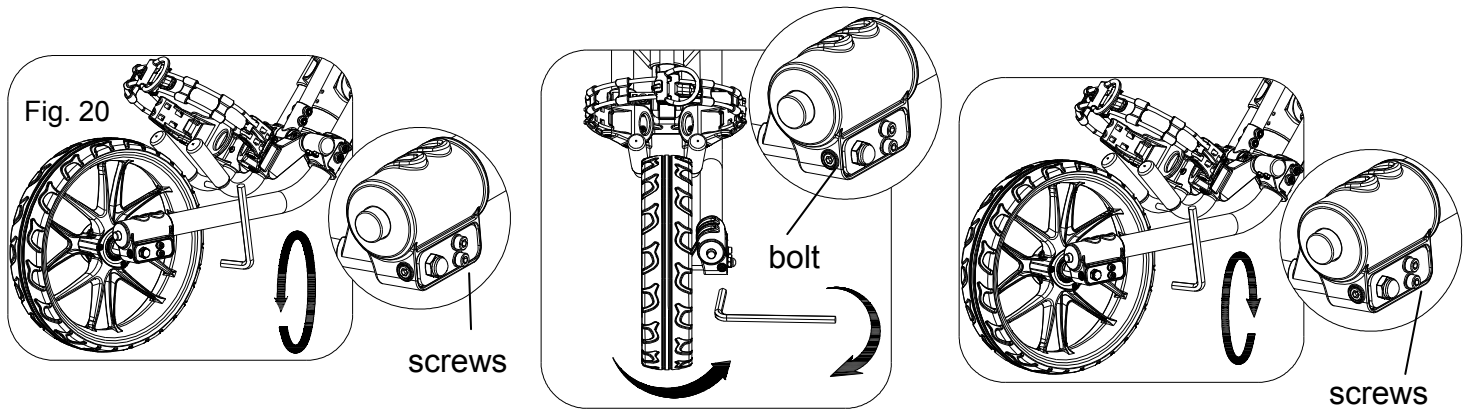


Fig. 19-1

Press the button to open the scorecard holder cover as Fig. 19-1

Front Wheel Alignment



If the cart veers to the right:

Step 1: Face the front wheel of the cart and use the provided Allen wrench to loose the two side screws as in fig. 20.

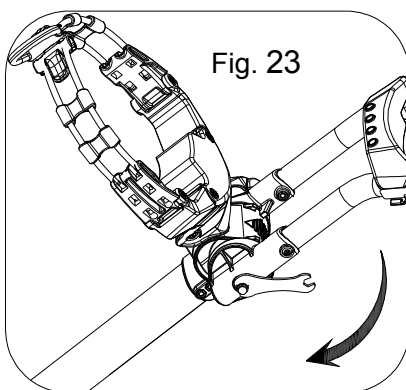
Step 2: Then use the Allen wrench to adjust the front bolt clockwise until the front wheel is centered as in Fig. 21. Then tighten the two side screws as in fig. 22.

If the cart veers to the left:

Step1: The same as above.

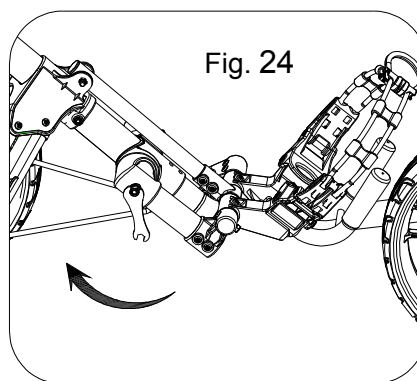
Step 2: Adjust the front bolt counterclockwise until the front wheel is centered as in fig.21. Then tighten the two side screws as in fig. 22.

Tighten Handle Bolt



If the handle becomes loose during normal use, please use the supplied tool to tighten the handle as in fig.23

Tighten Lower Joint Bolt



If the lower joint plastic becomes loose during normal use, please use the supplied tool to tighten the Joint as in fig. 24.

WARRANTY

CaddyTek Inc. warrants its products to be free of defects and workmanship for one year from the date of purchase. We will either repair or replace defective products at our option.

Normal wear and fading of products are not considered manufacturer's defect. This warranty does not apply to claim of damage to items used in connection with CaddyTek Inc. products. In the case of deterioration due to normal use we will repair the item for a normal charge. CaddyTek Inc. is the sole judge of any claim or warranty.

For customers in North America, please contact CaddyTek Inc. for the service. For customers outside of North America, please contact with your dealer for the warranty service or you are welcome to contact CaddyTek Inc. directly.



.....

PRODUCT REGISTRATION

I have read and understand this product's operation and warranty, and wish to record my purchase:

Model: _____

Name (Mr./Mrs./Miss): _____

Address: _____

City: _____ State: _____ ZIP: _____

Tel: _____ E-Mail _____

Date of Purchase: _____ Name of Store/Dealer: _____

Round of Golf per Month: _____ HCAP _____

Signed: _____ Date: _____

Failure to return this card may result in delayed response to you warranty claim

Stamp

Caddytek Inc.
20175 S. Atlantic Blvd., # C
Monterey Park, CA 91754
USA

You can also register your golf cart on www.caddytek.net

