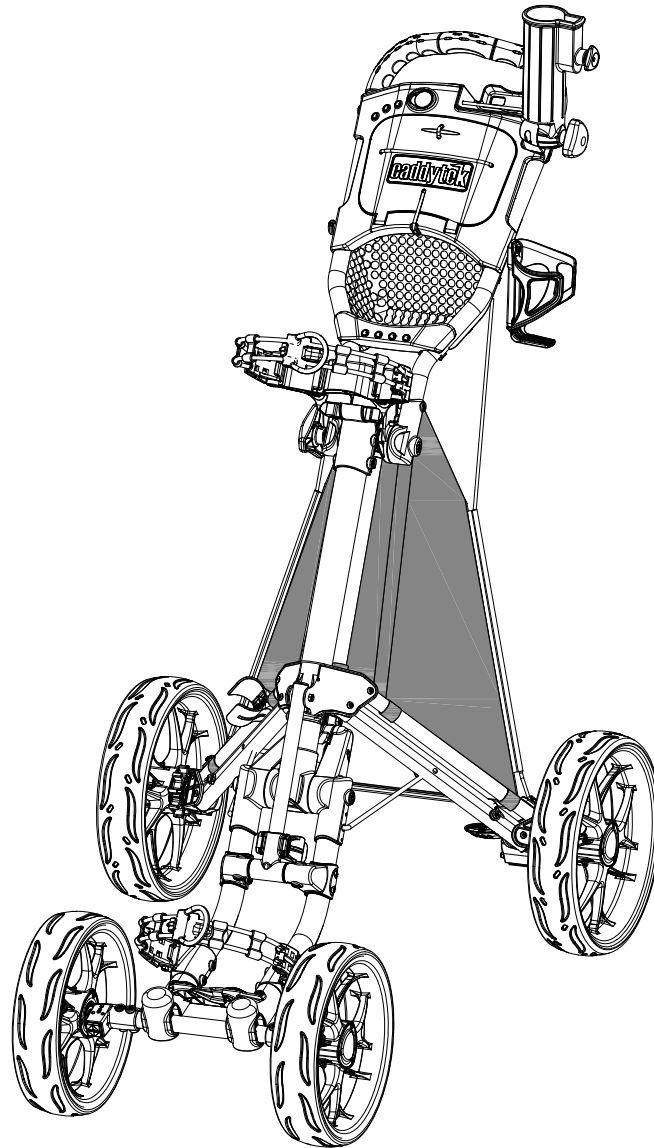


# caddytek

CaddyCruiser ONE V4



User Manual

CaddyTek Inc.  
20175 S. Atlantic Blvd., # C  
Monterey Park, CA 91754, USA  
[www.caddytek.net](http://www.caddytek.net)

## WARNING:

FOR YOUR OWN SAFETY, PLEASE REVIEW THESE WARNINGS AND KEEP THIS USER GUIDE FOR FUTURE REFERENCE.

- Before using this golf cart, please read and understand the important instructions and warnings in this user guide.
- AVOID INJURY by always following the instructions carefully.
- AVOID INJURY by keeping clear of moving parts while adjusting, folding or unfolding this cart.
- ALWAYS make sure the cart is fully extended and locked before use.
- ALWAYS make sure the cart is folded and locked properly before lifting or transporting.
- ALWAYS use the brake when parking the cart.
- DO NOT run while using this cart.
- DO NOT use accessories other than those designed specifically for this cart.
- Keep hands and fingers away from moving parts or sliding sections of the cart

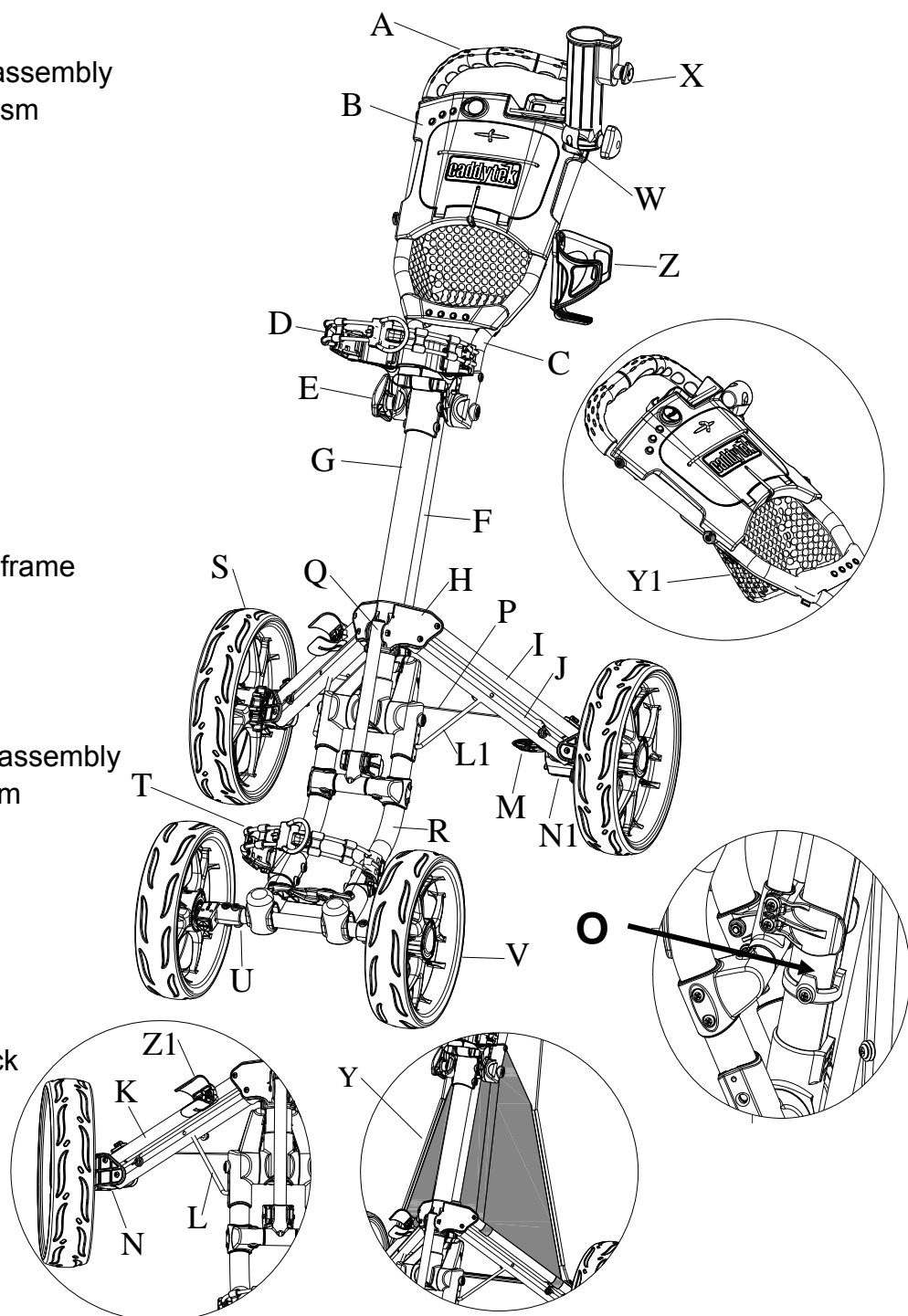
Package contents:

1. The main frame of the cart
2. Two front wheels and 2 rear wheels.
3. Umbrella holder
4. Basket (pre-installed on the cart)
5. Drink holder
6. This user manual
7. Hangtags on the handle
8. Tools for adjustment

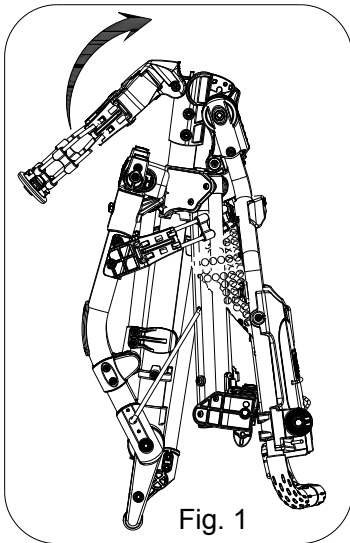
In case any of the above items are missing or damaged, please call 800-906-6918 or email service caddytek@gmail.com to report.

**Parts identification:**

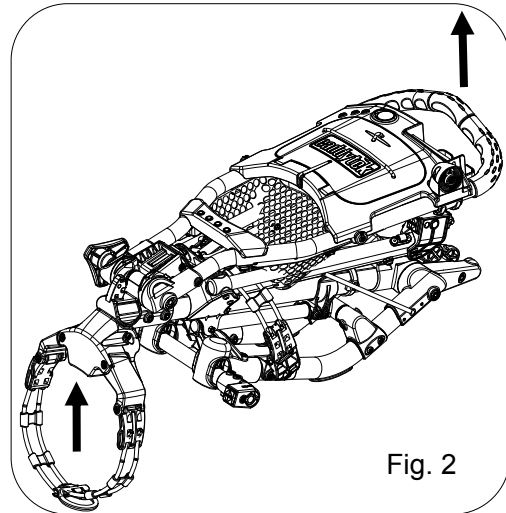
- A: TPE handle grip
- B: Scorecard holder assembly
- C: Handle frame
- D: Upper bag holder bracket assembly
- E: Adjustable handle mechanism
- F: Main connecting rod
- G: Main frame
- H: Leg bracket
- I: 2 holes right leg frame
- J: 4 holes leg frame
- K: 2 holes left leg frame
- L: Left stabilization bar
- L1: Right stabilization bar
- M: Footbrake assembly
- N: Left rear wheel holder
- N1: Right rear wheel holder
- O: Holding slot for folded cart frame
- P: Supporting cable
- Q: Sub-connecting rods
- R: Front wheel fork assembly
- S: Rear wheel assembly
- T: Lower bag holder bracket assembly
- U: Front wheel lock mechanism
- V: Front wheel assembly
- W: Umbrella holder base
- X: Umbrella holder
- Y: Basket with cooler
- Y1: Handle mesh net
- Z: Drink holder
- Z1: Umbrella holder storage rack



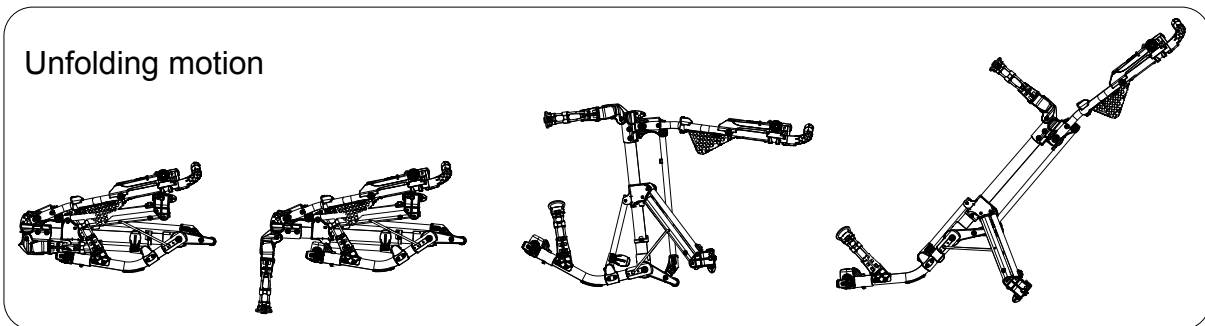
## Extending the cart



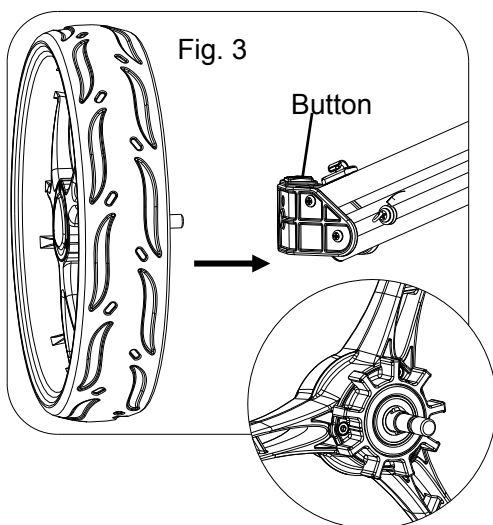
Lift the upper bag bracket as shown in Fig. 1.



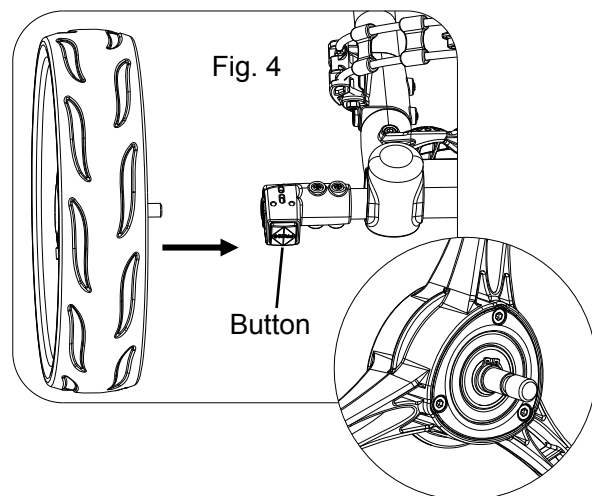
Simply pull the handle and upper bag bracket as shown in Fig. 2 to extend the cart. (Shake the cart slightly to release the main frame from the holding slot if necessary.)



## Install wheels

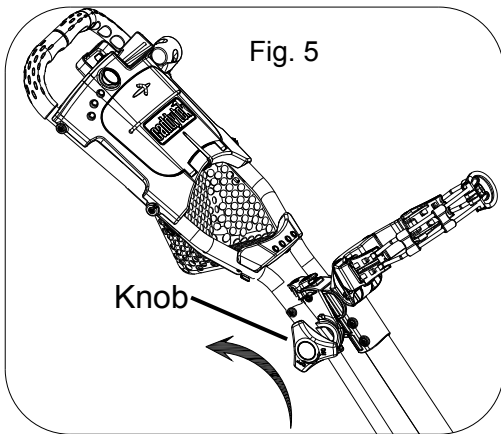


Press the button on the leg frame and insert the wheels as shown in Fig. 3 to install the rear wheels.

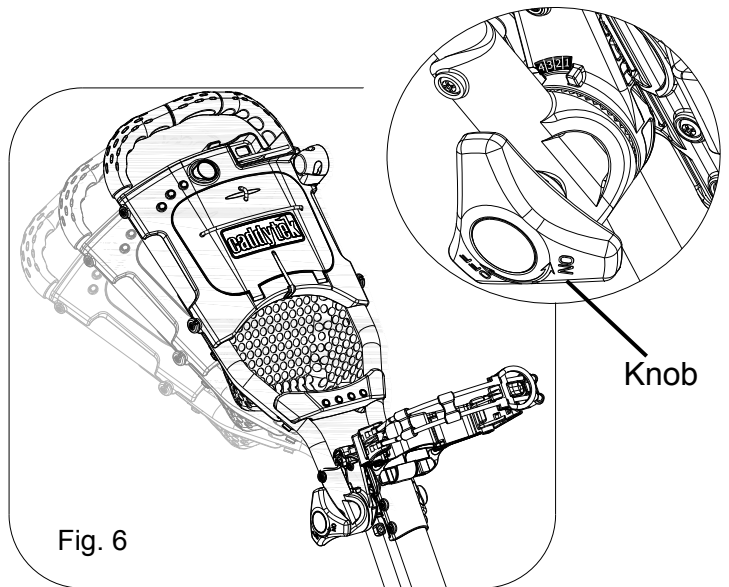


Press the button on the front wheel axle and insert the wheels as shown in Fig. 4 to install the front wheels.

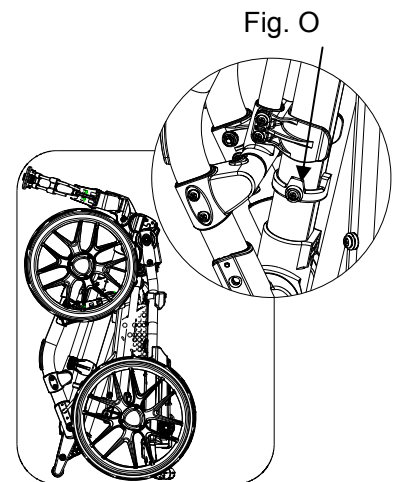
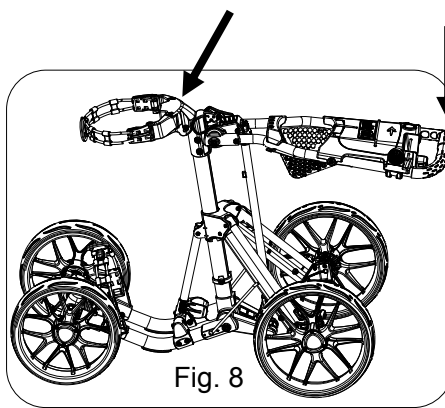
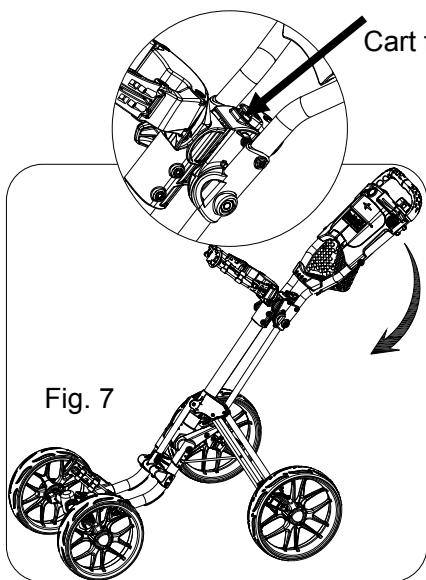
## Folding the cart



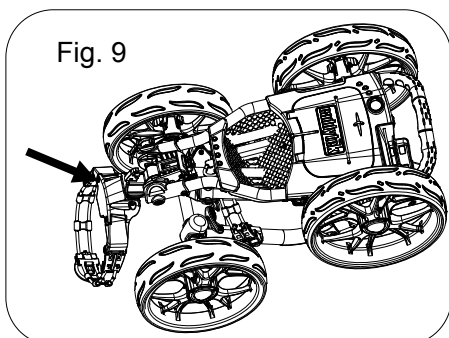
Turn the knob as shown in Fig. 5 to release and tighten the handle.



To achieve the optimal folded size, adjust the handle to the 2<sup>nd</sup> highest location marked by the small label near knob as shown in Fig. 6.



Press the folding button and push the handle downward as shown in Fig. 7 and Fig. 8 to fold the cart till the main frame clicks into the holding slot as in FIG. O.



Push the upper bag bracket downward as shown in Fig. 9.

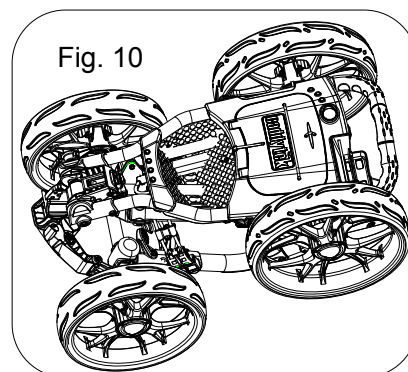


Fig. 10 shows the cart is folded.

## Install umbrella holder

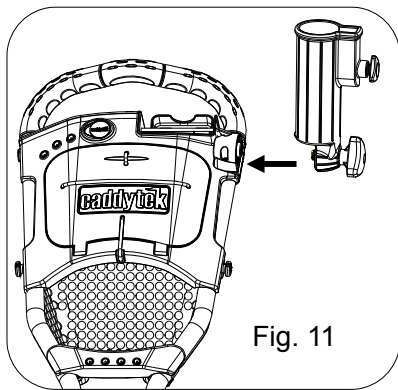


Fig. 11

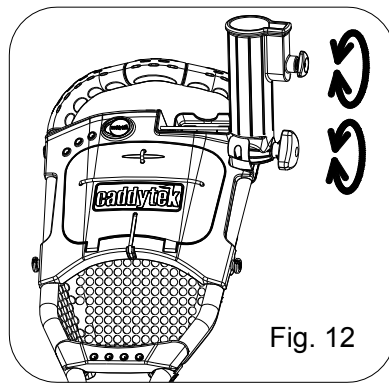


Fig. 12

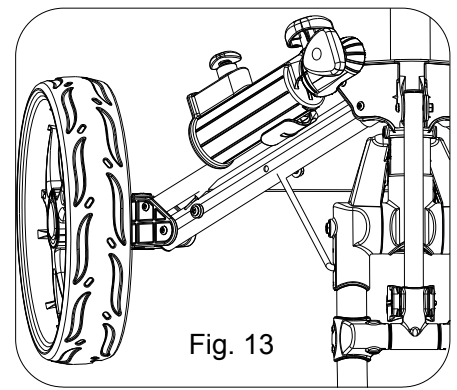


Fig. 13

To put in use:

Simply attach the umbrella holder onto the cart as in Fig. 11 & 12.

To store:

Attach the umbrella holder to the storage rack on the right leg frame as in Fig. 13.

## Install drink holder

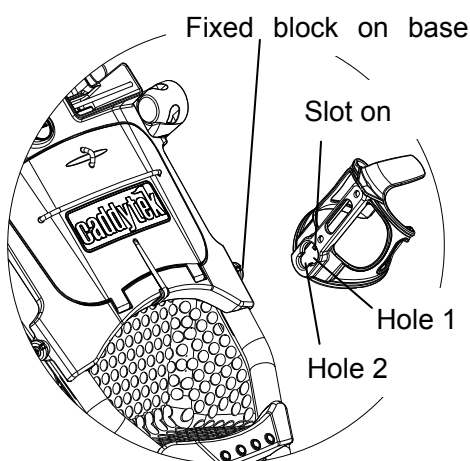


Fig. 14

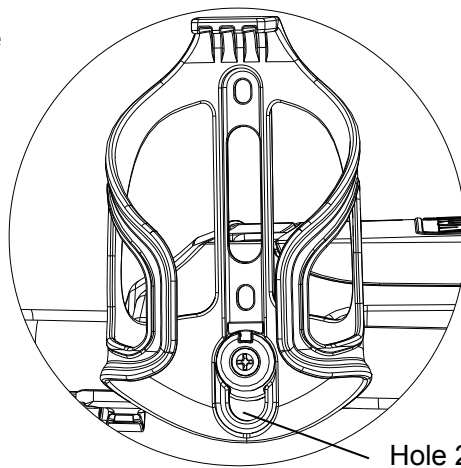


Fig. 15

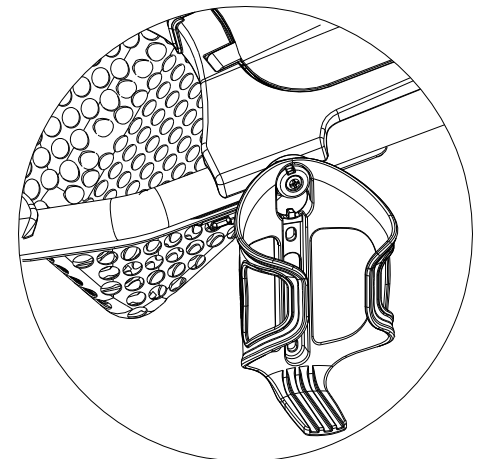


Fig. 16

When installing the drink holder as Fig.14, align the smallest part of the slot on the holder with the fixed blocks. Then pull horizontally to fit the holder on the base as Fig.15 & 16.

## Use the brake

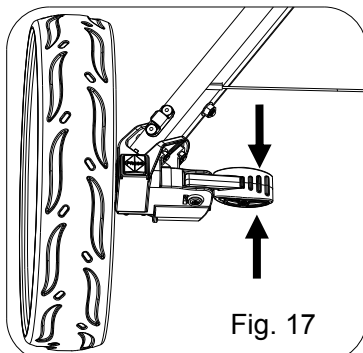


Fig. 17

Press the foot brake to brake, Lift it up to release as Fig.17

## To open the scorecard holder cover

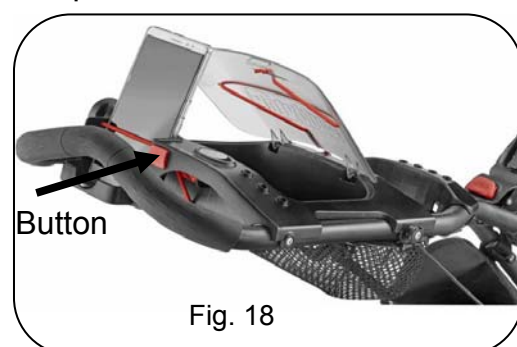
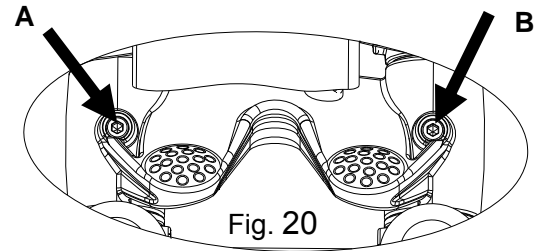
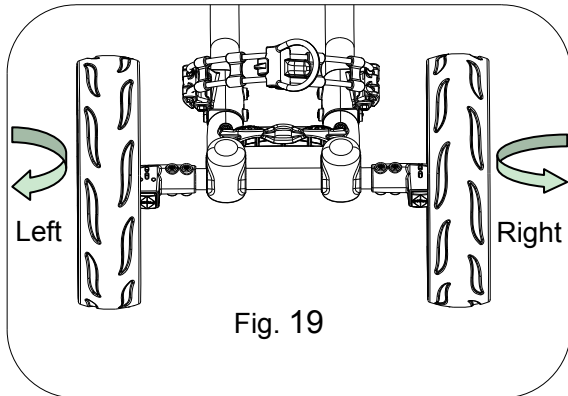


Fig. 18

Press the button to open the scorecard holder cover as Fig. 18

## Front wheel alignment



Alignment adjusting screws A/B



Hex wrench

If the cart veers to the left, please use the hex wrench to turn screw A counterclockwise and Screw B clockwise to adjust the alignment.

If the cart veers to the right, please use the hex wrench to turn screw A clockwise and screw B counterclockwise to adjust the alignment.



## WARRANTY

CaddyTek Inc. warrants its products to be free of defects and workmanship for one year from the date of purchase. We will either repair or replace defective products at our option.

Normal wear and fading of products is not considered a manufacturer's defect. This warranty does not apply to claim of damage to items used in connection with CaddyTek Inc. products. In the case of deterioration due to normal use we will repair the item for a normal charge. CaddyTek Inc. is the sole judge of any claim or warranty.

For customers in North America, please contact CaddyTek Inc. for the service. For customers outside of North America, please either contact your dealer for the warranty service or you are welcome to contact CaddyTek Inc. directly.



PRODUCT REGISTRATION

I have read and understand this product's operation and warranty, and wish to record my purchase:

Model: \_\_\_\_\_

Name (Mr./Mrs./Ms.): \_\_\_\_\_

Address: \_\_\_\_\_

City: \_\_\_\_\_ Province: \_\_\_\_\_ Postal Code: \_\_\_\_\_

Tel: \_\_\_\_\_ Email \_\_\_\_\_

Date of Purchase : \_\_\_\_\_ Name of Store/Dealer: \_\_\_\_\_

Rounds of Golf per Month: \_\_\_\_\_ H'CAP \_\_\_\_\_

Signed: \_\_\_\_\_ Date: \_\_\_\_\_

Failure to return this card may result in delayed response to your warranty claim

**Stamp**

Caddytek Inc.  
20175 S. Atlantic Blvd., # C  
Monterey Park, CA 91754  
USA

You can also register your golf cart on [www.caddytek.net](http://www.caddytek.net)

