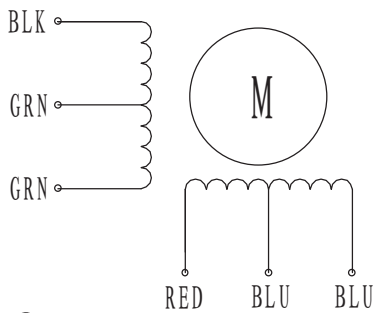


HIGH TORQUE HYBRID STEPPING MOTOR SPECIFICATIONS

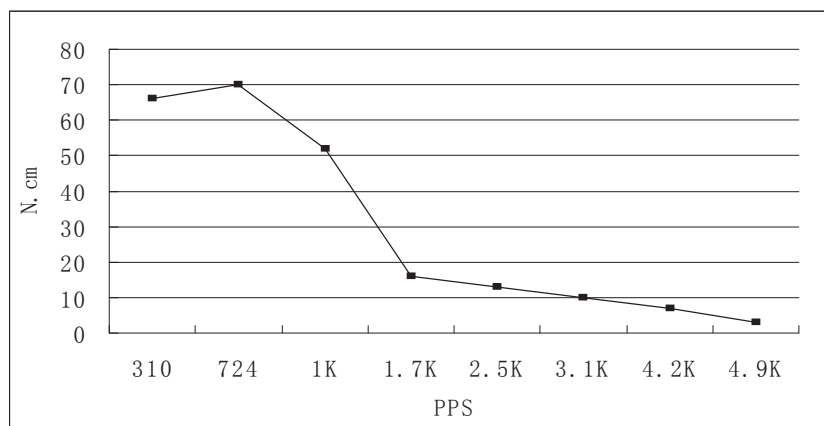
General specifications		Electrical specifications	
Step Angle (°)	1.8	Rated Voltage (V)	7.4
Temperature Rise (°C)	80 Max (rated current, 2 phase on)	Rated Current (A)	1
Ambient Temperature (°C)	-20 ~ +50	Resistance Per Phase ($\pm 10\%$ Ω)	7.4 (25°C)
Number of Phase	2	Inductance Per Phase ($\pm 20\%$ mH)	10
Insulation Resistance (M Ω)	100 Min (500VDC)	Holding Torque (N.cm)	90
Insulation Class	Class B		
Max. radial force (N)	28 (20mm from the flange)		
Max. axial force (N)	10		

● Wiring Diagram :

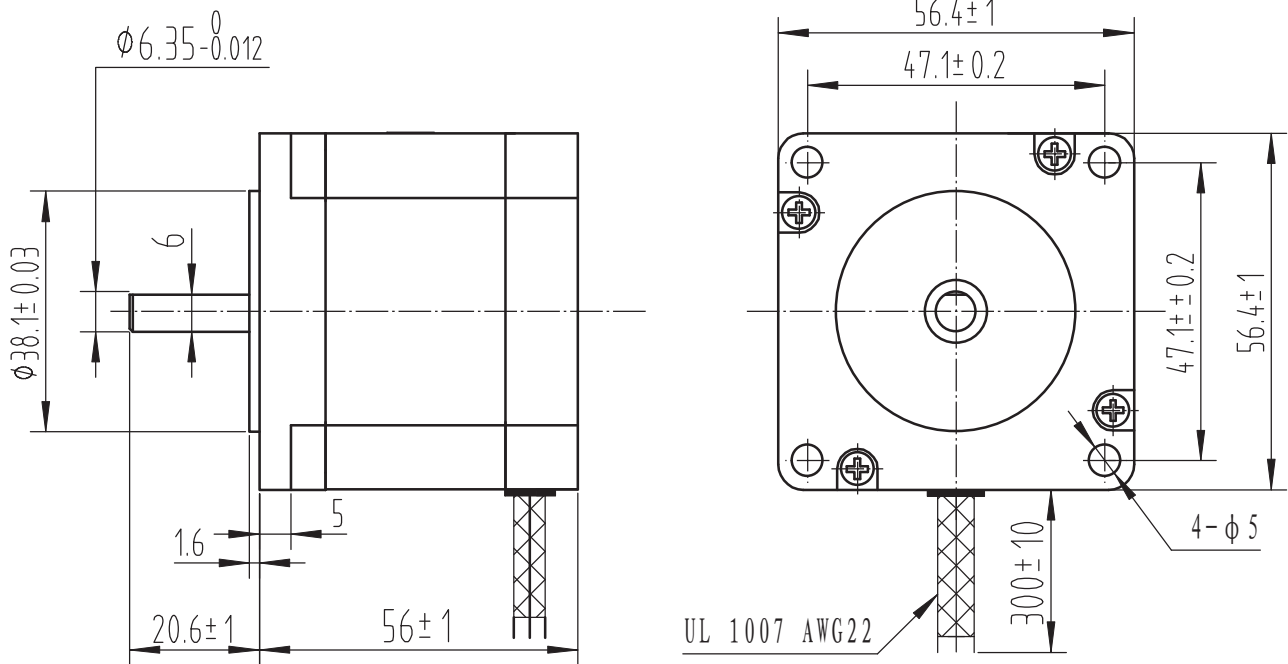


● Pull out torque curve :

VOLTAGE: 30VAC, CONSTANT CURRENT: 1A, HALF STEP



Dimensions:
(unit=mm)



REV	REVISIONS	DESCRIPTION	BY	DATE	SY57STH56-1006A	TECHNICAL CONDITIONS
DRAW	2013/06/12					
CHECK						
APPROVE						