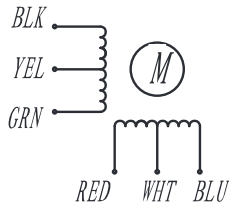


# HIGH TORQUE HYBRID STEPPING MOTOR SPECIFICATIONS

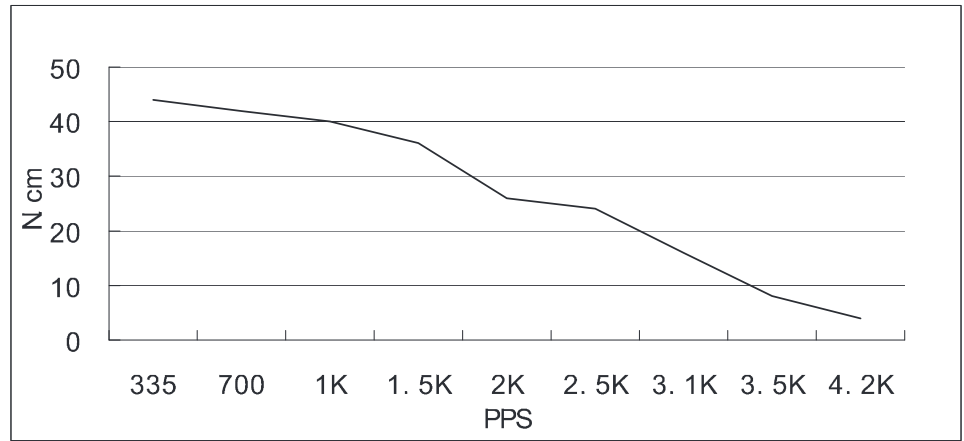
General specifications		Electrical specifications	
Step Angle (°)	1.8	Rated Voltage (V)	5.7
Temperature Rise (°C)	80 Max (rated current, 2 phase on)	Rated Current (A)	1.0
Ambient Temperature (°C)	-20 ~ +50	Resistance Per Phase ( $\pm 10\% \Omega$ )	5.7 (25°C)
Number of Phase	2	Inductance Per Phase ( $\pm 20\% \text{mH}$ )	5.4
Insulation Resistance (M $\Omega$ )	100 Min (500VDC)	Holding Torque (N.cm)	39
Insulation Class	Class B	Detent Torque (Kg.cm)	0.21
Max.radial force (N)	75 (20mm from the flange)	Rotor Torque (g.cm <sup>2</sup> )	120
Max.axial force (N)	15	Weight (Kg)	0.45

● Wiring Diagram :



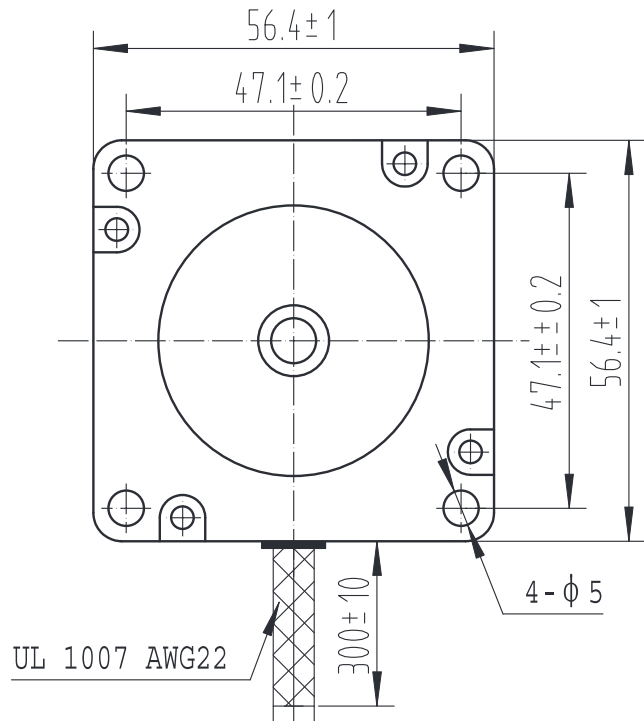
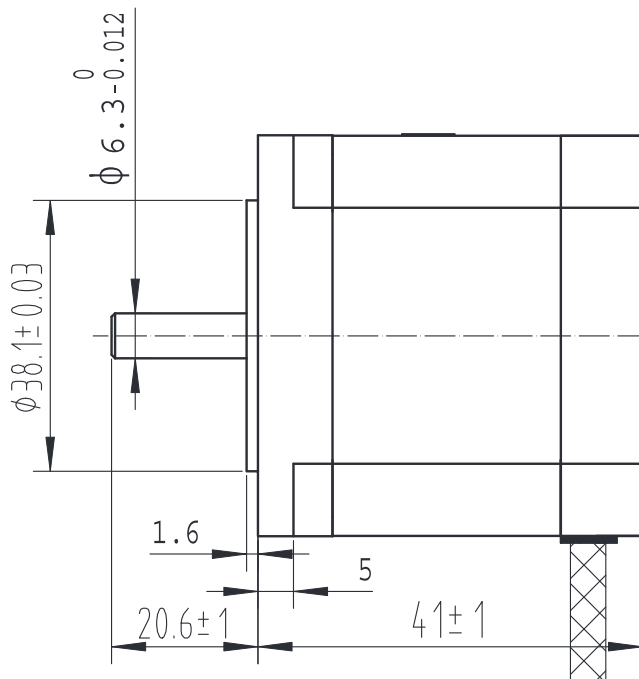
● Pull out torque curve :

VOLTAGE: 30VDC, CONSTANT CURRENT:1.0A, HALF STEP



● Dimensions:

(unit=mm)



					SY57STH41-1006A	TECHNICAL CONDITIONS
REV	REVISIONS	DESCRIPTION	BY	DATE	CHANGZHOU SONGYANG MACHINERY & ELECTRONICS NEW TECHNIC INSTITUTE	080041000
DRAW	孔祥振 2011.08.05					
CHECK						
APPROVE						