

Split Core Current Transformer ECS1030-L72

The ECS10 Series are split-core current transformers. The CT can be mounted to existing panels, such as control centers or load centers, to measure or monitor wattage. These CTs can be mounted without removing existing cables for easier installation



RoHS

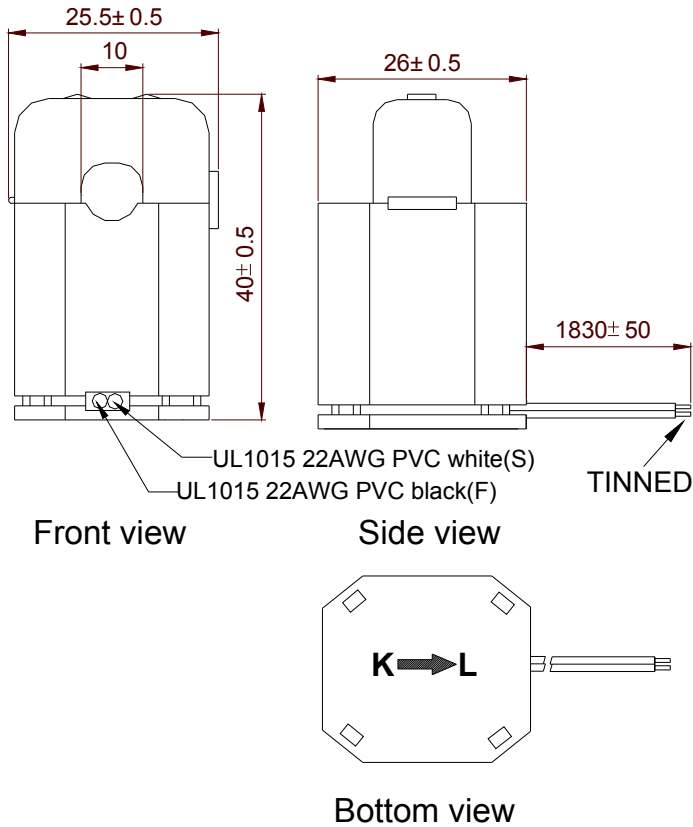
Electrical Specifications

Rated Primary Current(Amp.) 50/60Hz	30nom(1~60A max)
Turnn ratio	$N_p:N_s=1:2000$
Current Ratio	30A/15mA
D.C.Resistance at 20 °C	250 Ω
Accuracy @ $R_L \leq 10\Omega$	2%
Linearity @ $R_L \leq 10\Omega$	0.5%
Phase error at rated current range	$\leq 4^\circ$
Operating Temperature Range	-40~65°C
Storage Temperature Range	-45~85°C
Dielectric Withstanding Voltage(Hi-pot)	2.5KV/1mA/1min
Insulation Resistance	DC500V/100M Ω min

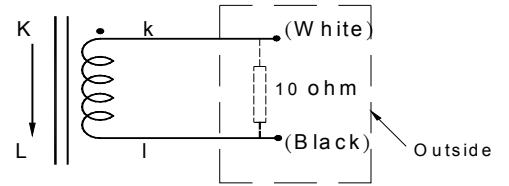
Mechanical Specifications

CUP	PBT
Opening Dimensions	>10mm
Output type	UL1015 22AWG PVC WIRE(doubling wire)
Approx.Weight	60g

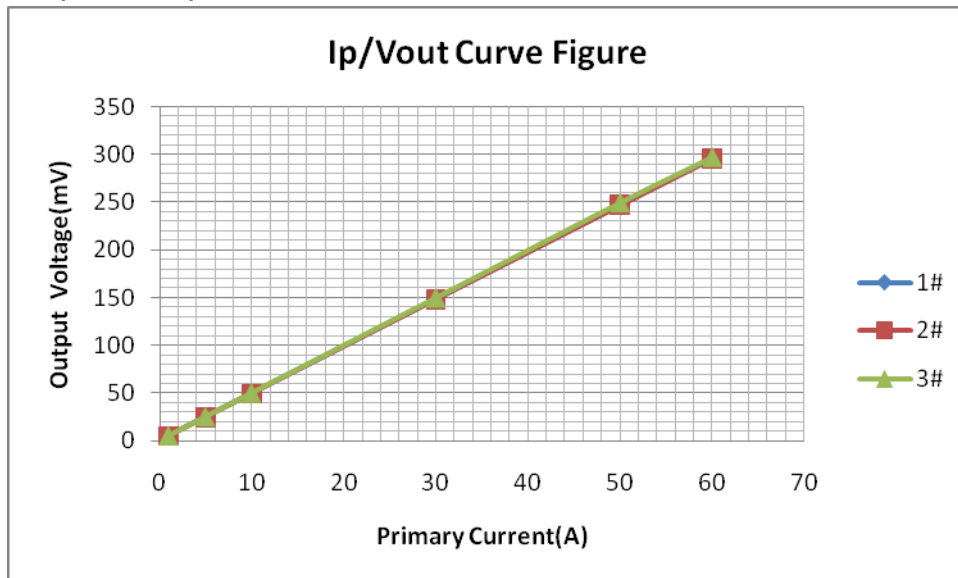
Mechanical Dimensions in mm



Test Circuit:



Output curve: (RL=10Ω)





Applications:

- Current Measurement
- Monitoring & Protection

Advantage:

- Low cost
- Mount easy
- Excellent linearity over the whole range
- Fully RoHS Compliant.

Material List:

NO	ITEM	DESCRIPTION	UL Card	MATERIAL	NOTE
1	CORE	UU20.6	/	N07	
2	CASE	PBTRG301	E171666	PBT	
3	BOBBIN	PBTRG301	E171666	PBT	
4	WIRE	2UEW ϕ 0.1mm	E164502	UEW/U	
5	LEAD WIRE	UL1015 22AWG	E77981	PVC	105°C 600V
6	SOLDER	99.3%	/	Sn	

CUSTOMER APPROVED

Approved by	Checked by	Acknowledged by

CUSTOMER P/ N(VER): _____