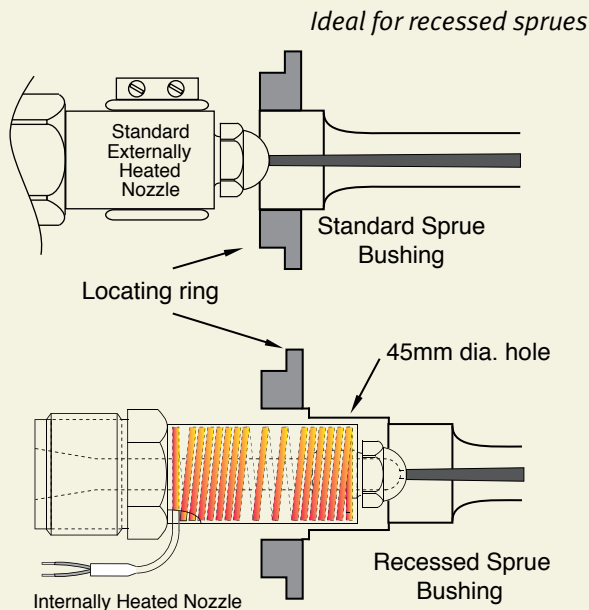
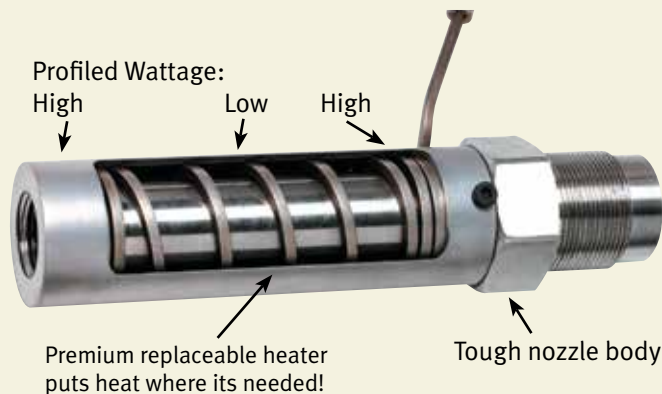


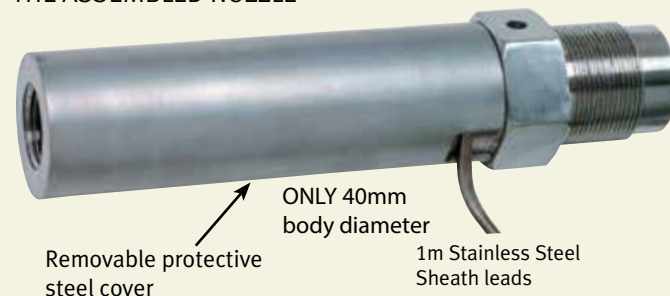
Internally Heated Nozzles



For recessed or restricted sprue applications and high heat requirements



THE ASSEMBLED NOZZLE



- Improved, re-designed internally heated nozzle
- Eliminates blowback damage, giving huge heater replacement savings.
- 40 mm diameter body gives access to narrow sprue bushes.
- Removable sleeve for quick heater replacement.
- Focussed Heat; can be zoned to optimise flow: No cold spots.
- Delivers heat where it is needed and allows exceptionally high wattages.
- Leads are fully protected.

The Internally Heated Nozzle is ideal where:

1. Narrow sprue bushes prohibit the use of conventional band heaters
 2. Where high wattage is required
- OR
3. Where a homogeneous mix has been difficult to achieve due to nozzle temperature problems, as the coil heater delivers quicker, more uniform heat which can be concentrated at the ends of the nozzle body where it is needed.

Heaters used for nozzles of length:

nozzle length (inc tip) mm	tube length mm	Watts	Part number
127	700	500	8R700500
150	800	600	8R800600
150	900	700	8R900700
178	1000	800	8R1000800
178	1200	900	8R1200900
203	1400	1000	8R14001000
229	1600	1100	8R16001100
254	1800	1250	8R18001250
305	2000	1400	8R20001400

Designed for use where small diameter recessed sprue bushings (or similar restrictive applications) prohibit use of conventional nozzle and exterior heated band. Also valuable for use where greater wattage is required (more heat) or where longer heater life is desired. Requires only 45mm diameter clearance hole in mould or platen, since internal heater is installed between the nozzle exterior wall and interior plastic flow path. Total wattage exceeds that of conventional heater band.

A cost effective, slimline nozzle with a removable protective steel sleeve that reduces heater replacement time, seals the heater from melted plastic and protects from accidental damage.

The square-section coil heater optimises heat transfer and delivers uniform and maximum power to the nozzle with no cold spots. The heater coiling may also be varied to zone heat to concentrate as required on the nozzle. The use of coil heaters makes the nozzle more robust and the built-in J type thermocouple makes temperature control easy and accurate.

To Order:

Determine regular nozzle required for your machine and add:

- Heater From Table
- Nozzle tip (state radius and orifice)

Complete assembly includes body, coil heater and a tip with a radius and orifice of your choice

