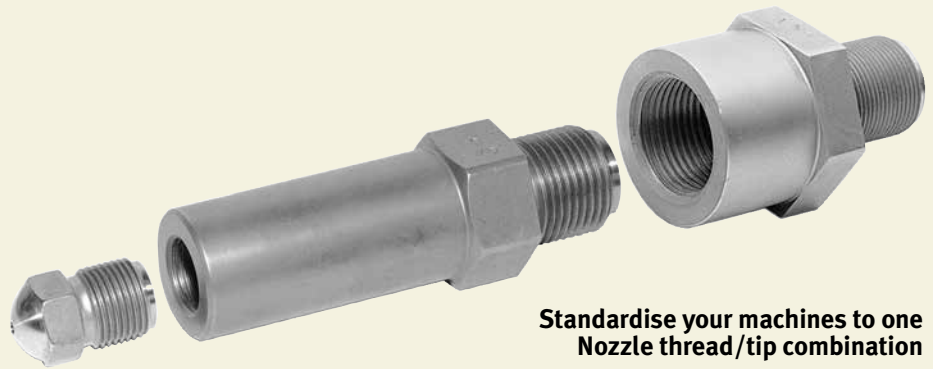
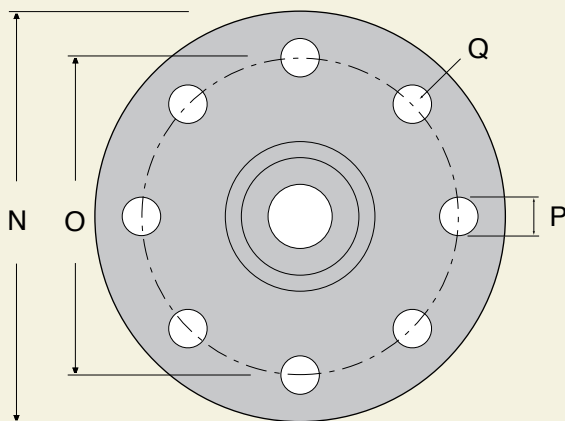
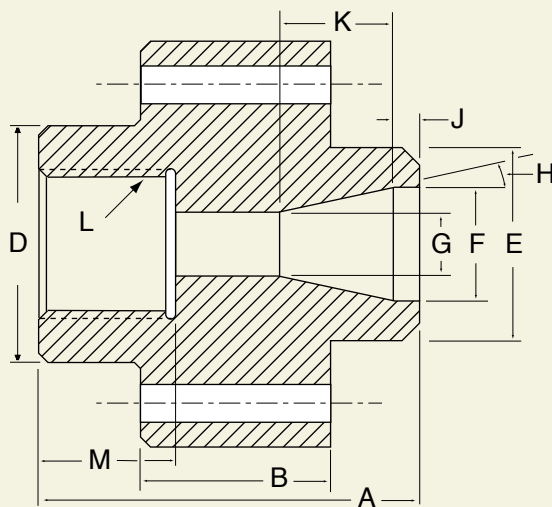
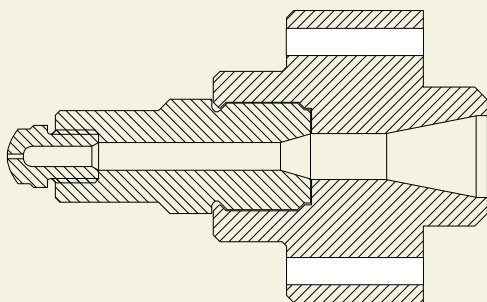


Nozzle Adaptors



Standardise your machines to one Nozzle thread/tip combination

We design and manufacture any size of nozzle to suit your machine thread and rear opening. All machines can be standardised so that standard, low-cost nozzles and tips can be used across all machines. Standardisation leads to dramatic savings in costs for replacement nozzles and tips and also reduces down-time as a small number of nozzles and tips can be stocked- you will always have a nozzle ready for immediate requirements.



Barrel End Caps



We manufacture and stock a large range of barrel end caps

Popular Barrel End Caps are held in stock but we also manufacture replacements for any machine. We can also adapt any End Cap to accept standard nozzles and tips- leading to significant nozzle replacement savings.

Available in the following materials:

- EN41 & Nitrided
- H13 & Nitrided
- D2 Steel
- Powder metallurgy

How to order:

Complete and fax as many of the dimensions that you can onto the drawing together with the machine make & model.

Or: If you have a manufacturing drawing, write drawing enclosed across our drawing, and fax your drawing to us with our form.

Or: Send us a sample of your old end cap together with a copy of our form and we will measure it for you.